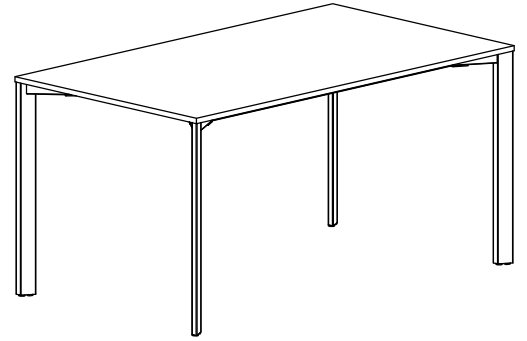




2332 Cathy Lane
 Jasper, Indiana
 47546
 800.876.2120
 812.482.9318 Fax
 www.versteel.com

Thank you for your purchase. Versteel hopes that you have many great years of use from this table and from all our products. If you have questions that these instructions do not answer, please call customer service at 800.876.2120



DOCUMENT CONTAINS 2 PAGES	ASSEMBLY INSTRUCTIONS: ELIGA TABLE																						
<p>COMPONENTS:</p> <table border="0"> <tr> <td>①</td> <td>TABLE TOP</td> <td>1</td> </tr> <tr> <td>②</td> <td>LEG, RIGHT</td> <td>2</td> </tr> <tr> <td>③</td> <td>LEG, LEFT</td> <td>2</td> </tr> <tr> <td>④</td> <td>MAIN FRAME</td> <td>1</td> </tr> <tr> <td>⑤</td> <td>LEG MOUNTING PLATE, RIGHT</td> <td>2</td> </tr> <tr> <td>⑥</td> <td>LEG MOUNTING PLATE, LEFT</td> <td>2</td> </tr> <tr> <td>⑦</td> <td>GLIDE</td> <td>8</td> </tr> </table> <p>SCREWS AND BOLTS ARE INCLUDED</p>	①	TABLE TOP	1	②	LEG, RIGHT	2	③	LEG, LEFT	2	④	MAIN FRAME	1	⑤	LEG MOUNTING PLATE, RIGHT	2	⑥	LEG MOUNTING PLATE, LEFT	2	⑦	GLIDE	8		
①	TABLE TOP	1																					
②	LEG, RIGHT	2																					
③	LEG, LEFT	2																					
④	MAIN FRAME	1																					
⑤	LEG MOUNTING PLATE, RIGHT	2																					
⑥	LEG MOUNTING PLATE, LEFT	2																					
⑦	GLIDE	8																					
<p>TOOLS REQUIRED:</p> <table border="0"> <tr> <td>①</td> <td>ALLEN WRENCH OR DRIVER</td> </tr> <tr> <td>②</td> <td>CORDLESS SCREWDRIVER AND PH2 BIT</td> </tr> </table>	①	ALLEN WRENCH OR DRIVER	②	CORDLESS SCREWDRIVER AND PH2 BIT																			
①	ALLEN WRENCH OR DRIVER																						
②	CORDLESS SCREWDRIVER AND PH2 BIT																						
<p>STEP ONE</p> <p>SET TABLE TOP FACE DOWN ON A FURNITURE BLANKET OR CARPET (MAIN FRAME IS ALREADY ATTACHED TO THE TABLE TOP)</p>																							

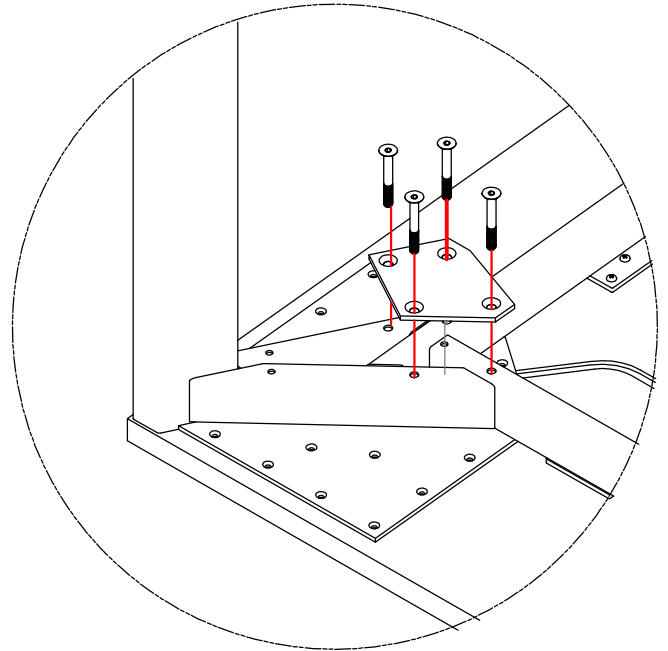
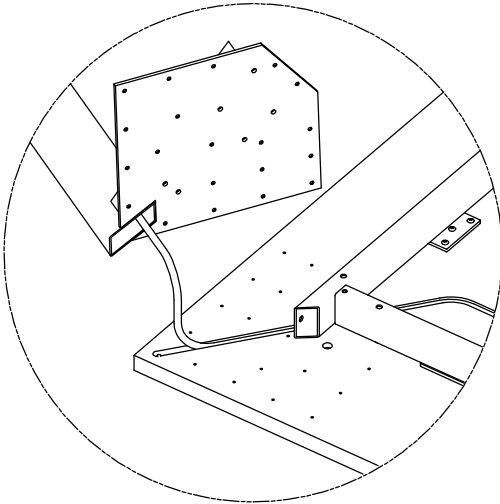


STEP TWO (ELECTRICAL OPTION)

A) FEED ELECTRICAL CORD THROUGH LEG, BEGINNING AT TOP PLATE

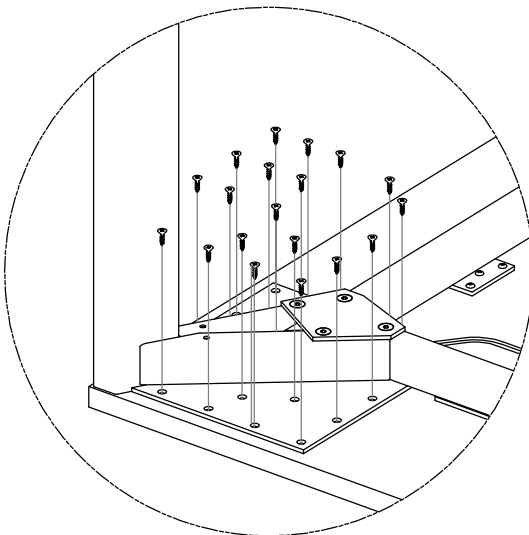
B) POSITION LEG ASSEMBLY AGAINST THE CORNER OF MAIN FRAME.

C) BOLT LEG ASSEMBLY TO THE MAIN FRAME USING LEG CONNECT PLATES AND 5/16-18 X 2.5" SCREWS (4 PER LEG ASSEMBLY)



STEP THREE

SCREW LEG ASSEMBLIES TO THE TABLE TOP USING #10 X .75" FLAT HEAD SCREWS.



STEP FOUR

FLIP TABLE WITH CAUTION - DO NOT SET ON 2 LEGS! MINIMUM 4 PERSON LIFT.

