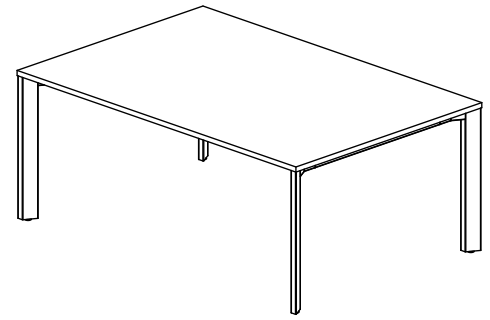




2332 Cathy Lane
 Jasper, Indiana
 47546
 800.876.2120
 812.482.9318 Fax
 www.versteel.com

Thank you for your purchase. Versteel hopes that you have many great years of use from this table and from all our products. If you have questions that these instructions do not answer, please call customer service at 800.876.2120

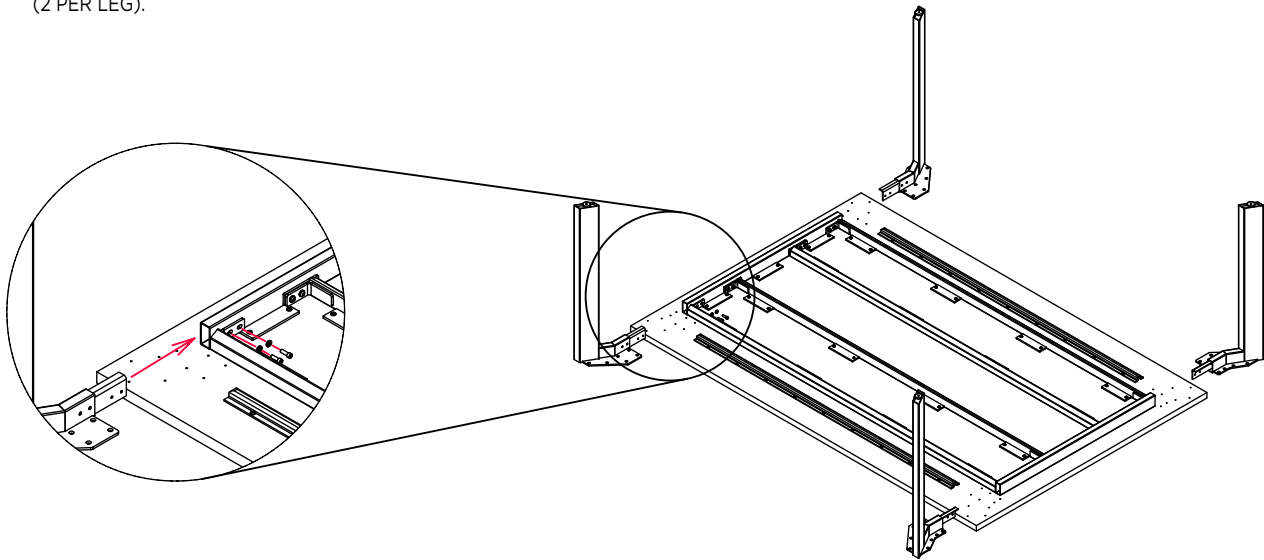


DOCUMENT CONTAINS 2 PAGES	ASSEMBLY INSTRUCTIONS: ELIGA BENCHING TABLE																
<table border="0"> <thead> <tr> <th style="text-align: left;">COMPONENTS:</th> <th style="text-align: left;">QUANTITY:</th> </tr> </thead> <tbody> <tr> <td>① TABLE TOP</td> <td>1</td> </tr> <tr> <td>② LEG, RIGHT</td> <td>2</td> </tr> <tr> <td>③ LEG, LEFT</td> <td>2</td> </tr> <tr> <td>④ FRONT RAIL</td> <td>2</td> </tr> <tr> <td>⑤ OUTSIDE SUPPORT RAIL</td> <td>2</td> </tr> <tr> <td>⑥ INSIDE SUPPORT RAIL</td> <td>2</td> </tr> <tr> <td>⑦ GLIDE</td> <td>4</td> </tr> </tbody> </table> <p>SCREWS & LOCK WASHER ARE INCLUDED.</p>	COMPONENTS:	QUANTITY:	① TABLE TOP	1	② LEG, RIGHT	2	③ LEG, LEFT	2	④ FRONT RAIL	2	⑤ OUTSIDE SUPPORT RAIL	2	⑥ INSIDE SUPPORT RAIL	2	⑦ GLIDE	4	
COMPONENTS:	QUANTITY:																
① TABLE TOP	1																
② LEG, RIGHT	2																
③ LEG, LEFT	2																
④ FRONT RAIL	2																
⑤ OUTSIDE SUPPORT RAIL	2																
⑥ INSIDE SUPPORT RAIL	2																
⑦ GLIDE	4																
<p>TOOLS REQUIRED:</p> <ul style="list-style-type: none"> ① ALLEN WRENCH OR DRIVER ② CORDLESS SCREWDRIVER & PH2 BIT 																	
<p>STEP ONE</p> <p>SET TABLE TOP FACE DOWN ON A FURNITURE BLANKET OR CARPET (SIDE RAILS, OUTSIDE AND INSIDE SUPPORT RAILS ARE ALREADY ASSEMBLED TOGETHER AND ATTACHED TO THE TABLE TOP)</p>																	



STEP TWO

ATTACH LEFT AND RIGHT LEGS TO THE MAIN FRAME BY SLIDING LEG BRACKETS INSIDE THE FRONT RAILS AND BOLTING IT TOGETHER WITH 1/2-20 X .75" SCREWS (2 PER LEG).



STEP THREE

SECURE LEFT AND RIGHT LEGS TO THE TABLE TOP WITH #10 X .75" FLAT HEAD SCREWS.
TABLE ASSEMBLY IS COMPLETE.

