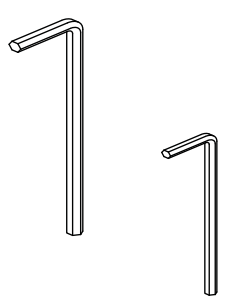
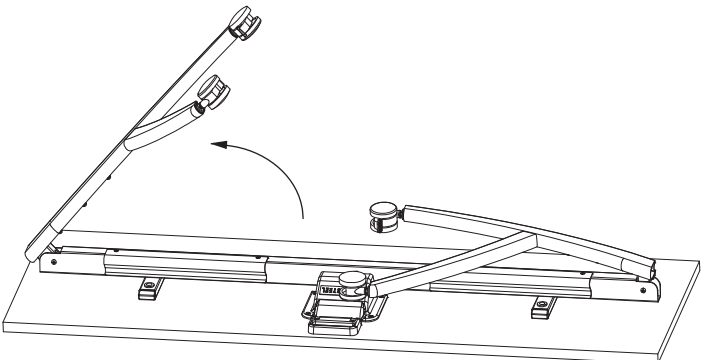
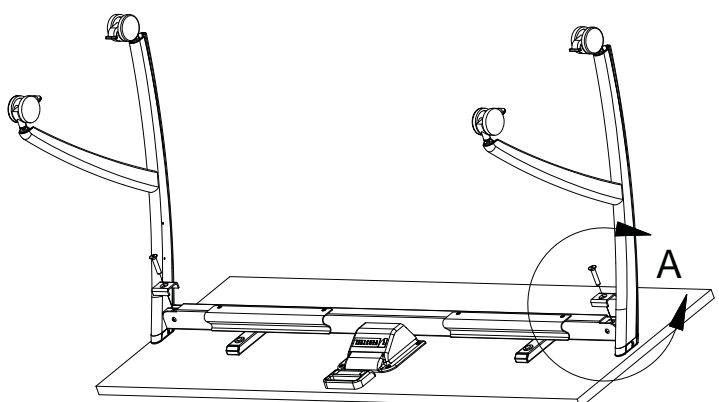




2332 Cathy Lane  
Jasper, Indiana  
47546  
800.876.2120  
812.482.9318 Fax  
www.versteel.com

Thank you for your purchase. Versteel® hopes that you have many great years of use from this table and from all of our products. If you have questions that these instructions don't answer, please call customer service at 800.876.2120.



▶ DOCUMENT CONTAINS 1 PAGE	ASSEMBLY INSTRUCTIONS : TOD TABLE
<p><b>COMPONENTS:</b></p> <ul style="list-style-type: none"><li><b>A</b> TABLE TOP AND LEGS ASSEMBLY (1 QTY)</li><li><b>B</b> MODESTY PANEL (1 QTY)</li><li><b>C</b> UPRIGHT SUPPORT PLATE (2 QTY)</li><li><b>D</b> 3/8" BOLT (2 QTY)</li><li><b>E</b> 10-24 SCREW (6 QTY)</li></ul>	<p><b>TOOLS REQUIRED:</b></p> <ul style="list-style-type: none"><li>7/32" ALLEN WRENCH</li><li>1/8" ALLEN WRENCH</li></ul> 
<p><b>ASSEMBLY : STEP 1</b> PLACE THE TOP/LEG ASSEMBLY FACE DOWN ON THE FLOOR. (MAKE SURE THE FLOOR IS CLEAN AND FREE OF ANY DEBRIS.) UNFOLD THE LEGS, ONE AT A TIME, AS SHOWN IN DIAGRAM 1.</p> <p><b>NOTE: USE CAUTION WHEN UNFOLDING LEGS! LEG IS NOT STABLE AND CAN FALL UNTIL ALL PARTS ARE INSTALLED AND TIGHTENED!</b></p>	<p><b>1</b></p>  <p><b>NOTE: DO NOT PULL HANDLE UNTIL ALL PARTS ARE INSTALLED AND TABLE IS UPRIGHT!</b></p>
<p><b>ASSEMBLY : STEP 2</b> FIND LOCATION A (SHOWN IN DIAGRAM 2) ON YOUR TOP/LEG ASSEMBLY.</p>	<p><b>2</b></p>  <p><b>CONT'D ▶</b></p>

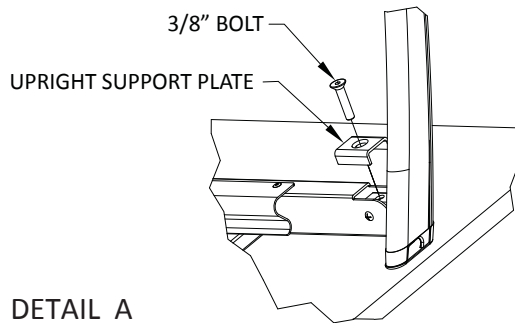
## ASSEMBLY INSTRUCTIONS : TOD TABLE

### ASSEMBLY : STEP 3

STACK THE UPRIGHT SUPPORT PLATE AND 3/8" BOLT AS SHOWN IN DIAGRAM 3. INSERT AND TIGHTEN WITH A 7/32" ALLEN WRENCH. DO NOT OVERTIGHTEN!

**NOTE: TABLES 48" AND SMALLER HAVE 1 LARGE PLATE AND 1 SMALLER PLATE. THE LARGER IS INSTALLED ON THE RIGHT LEG (FROM THE USER SIDE).**

3



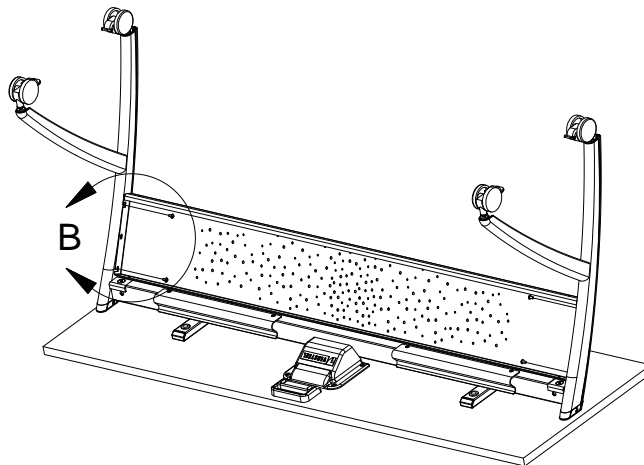
### ASSEMBLY : STEP 4

PLACE MODESTY PANEL BETWEEN TABLE LEGS.

### ASSEMBLY : STEP 5

INSERT TOP AND BOTTOM SCREWS INTO INSIDE OF LEGS. ALIGN SLOTTED HOLES ON ENDS OF MODESTY PANEL WITH SCREWS. (LOCATION B IN DIAGRAM 4)

4



### ASSEMBLY : STEP 6

SHIFT MODESTY INTO SLOTS AND PUSH TOWARDS TABLE TOP. TIGHTEN SCREWS WITH 1/8" ALLEN WRENCH. (DIAGRAM 5)

### ASSEMBLY : STEP 7

INSERT SCREWS INTO THE REMAINING HOLE ON EACH SIDE OF MODESTY PANEL AND TIGHTEN.

TURN TABLE UPRIGHT AND TEST HANDLE TO ENSURE PROPER OPERATION.

ENJOY YOUR NEW VERSTEEL TABLE!

5

