

TARIFF-FREE TABLES

Proudly crafted in the USA.
No tariff surcharge.

Tables

2026 Price List

[➔ JUMP TO PRICING](#)

VERSTEEL





Laminate, Standard Core Construction

The standard top construction consists of 45-50 lb particleboard, surfaced with a high pressure laminate on all sides of the top and legs. Laminate panels are 2" thick. Table is pre-drilled for field installation.

Integrated under surface wire management channel consists of two (2) 1 1/2" thick panels with a powder coated metal cover plate. For a Parsons Table specified in Wilsonart D354-60 Designer White laminate, the under surface wire management channel cover plate will be Snow (PSNO) powder coat. When table is specified in any other laminate, cover plate will be Alloy (PALY) powder coat.

Table Height

Parsons table is offered in 29", 36" and 42" heights. Alternate heights are available, contact Versteel Customer Service for a quote.

Glides

Parsons table is standard with nylon adjustable glides.

Laminates

Versteel's standard offering of laminates includes over 900 laminates from Formica, Nevamar, Pionite and Wilsonart.

Laminate manufacturers change standard offerings frequently, making it possible a standard product can become unavailable. Versteel cannot be responsible for any inconvenience this may cause.

Wire Management

Integrated Wire Management - \$175/panel

Specify code **BWP** (One Panel Wire Management), add \$182 list per table.

Specify code **BWP2** (Two Panel Wire Management), add \$364 list per table.

The core of the end panel contains a 2" concealed channel to allow for integrated wire management with access at the bottom of the end panel through a 2 1/4" round grommet.

Power Bay - \$1296 / unit

Specify code *EPB_* (Power Bay - Location_), add \$1296.00 list per Power Bay for first unit per table and \$1296.00 for each additional unit.

For clear anodized aluminum finish, add \$141 list per unit

The flush mount Power Bay electrical unit(s) is factory installed in the specified location. Choose any standard powder coat, or Clear Anodized Aluminum, for bezel and door.

SPECIFICATIONS

- One 10' cord, one 15 amp circuit, standard grounded plug
- Surge protection
- Four electrical outlets per unit
- Data plate with 9 slots



NOTE FOR MORE PLANNING AND ORDERING
DETAIL INFORMATION SEE ELECTRICAL PLANNING
SECTION PAGES 23-37

NOTE USE POWER BAY DATA PLATE GUIDELINES TO SPECIFY DATA JACKS

?

1 Power Bay - Provide Location Print
\$1296 / table

Specify code *EPB1* (1 Power Bay - Provide Location Print), add \$1296.00 list per table

One flush mount Power Bay electrical unit is factory installed in the top location indicated by specifier's print.

??

2 Power Bays - Provide Location Print
\$2592 / table

Specify code *EPB2* (2 Power Bays - Provide Location Print), add \$2592.00 list per table

Two flush mount Power Bay electrical units are factory installed in the top locations indicated by specifier's print.

???

3 Power Bays - Provide Location Print
\$3888 / table

Specify code *EPB3* (3 Power Bays - Provide Location Print), add \$3888.00 list per table

Three flush mount Power Bay electrical units are factory installed in the top locations indicated by specifier's print.

????

4 Power Bays - Provide Location Print
\$5184 / table

Specify code *EPB4* (4 Power Bays - Provide Location Print), add \$5184.00 list per table

Four flush mount Power Bay electrical units are factory installed in the top locations indicated by specifier's print.

Power Bay Data Plate Guidelines

The Power Bay Data Plate has (9) available slots for data jacks. Listed below are specification codes, number of slots each jack will occupy, and pricing.

Jack Type	Specify Code	Number of Slots	List Price per Jack Type
Data	DA	1	\$45
Voice	VO	1	\$19
HDMI	HD	2	\$104
USB	US	2	\$47
Data Coupler	DD	1	\$143
Voice Coupler	VV	1	\$42



Questions?

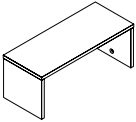
800 876 2120

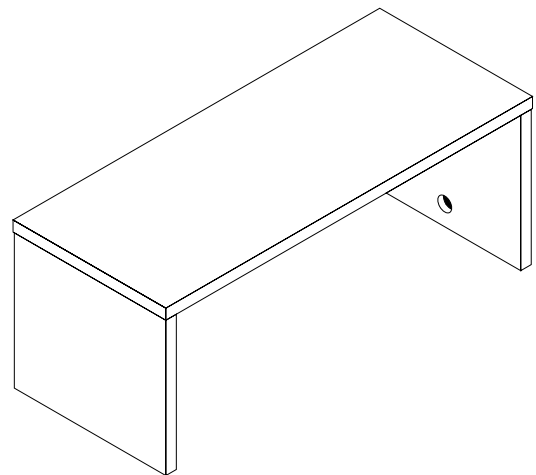
Power + Data Options

Please reference the Parsons Table Power + Data section or the Power + Data Price List

Wire Management Options

One Panel Wire ManagementBWP \$ 182
Two Panel Wire ManagementBWP2 \$ 364

	Description	Model #	Product Wt	Price
	29" Height			
	18 x 72	PRI 1872H29	193	4177
	18 x 96	PRI 1896H29	240	4848
	18 x 120	PRI 18120H29	288	5901
	24 x 72	PRI 2472H29	233	4820
	24 x 96	PRI 2496H29	288	5607
	24 x 120	PRI 24120H29	343	6780
	30 x 72	PRI 3072H29	274	5458
	30 x 96	PRI 3096H29	336	6365
	30 x 120	PRI 30120H29	399	7654
	36 x 72	PRI 3672H29	315	6325
	36 x 96	PRI 3696H29	385	7735
	36 x 120	PRI 36120H29	455	8913
	42 x 72	PRI 4272H29	355	6966
	42 x 96	PRI 4296H29	433	8491
	42 x 120	PRI 42120H29	510	9790



To Order, Specify...

- ① Model Number
- ② Laminate Code
- ③ Additional Options

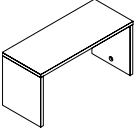


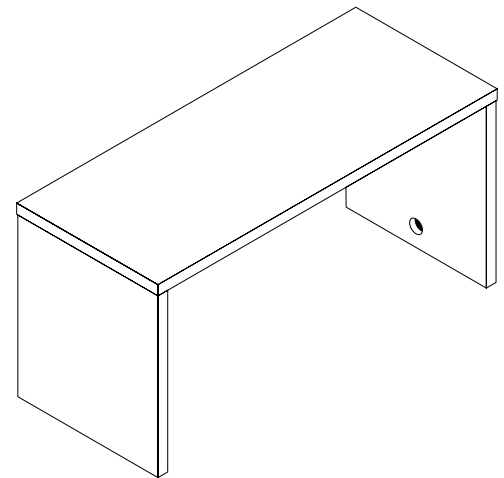
Power + Data Options

Please reference the Parsons Table Power + Data section or the Power + Data Price List

Wire Management Options

One Panel Wire ManagementBWP \$ 182
Two Panel Wire ManagementBWP2 \$ 364

	Description	Model #	Product Wt	Price
	36" Height			
	18 x 72	PRI 1872H36	206	4612
	18 x 96	PRI 1896H36	253	5358
	18 x 120	PRI 18120H36	301	6107
	24 x 72	PRI 2472H36	251	5321
	24 x 96	PRI 2496H36	306	6187
	24 x 120	PRI 24120H36	361	7054
	30 x 72	PRI 3072H36	296	6030
	30 x 96	PRI 3096H36	358	7015
	30 x 120	PRI 30120H36	421	8001
	36 x 72	PRI 3672H36	341	6738
	36 x 96	PRI 3696H36	411	8146
	36 x 120	PRI 36120H36	481	9328
	42 x 72	PRI 4272H36	386	7450
	42 x 96	PRI 4296H36	463	8974
	42 x 120	PRI 42120H36	541	10275





Questions?

800 876 2120

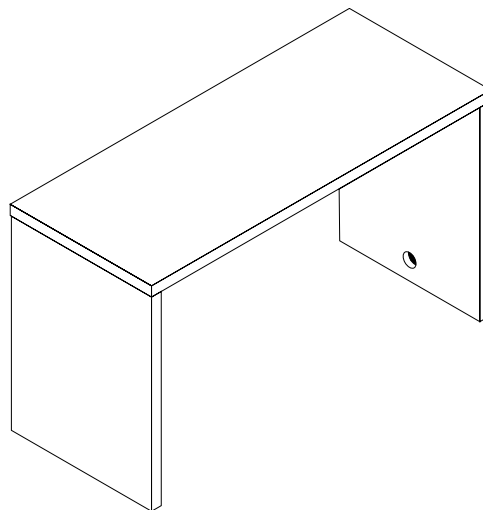
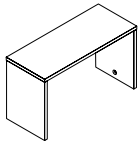
Power + Data Options

Please reference the Parsons Table Power + Data section or the Power + Data Price List

Wire Management Options

One Panel Wire ManagementBWP \$ 182
Two Panel Wire ManagementBWP2 \$ 364

Description	Model #	Product Wt	Price
42" Height			
18 x 72	PR1 1872H42	217	4788
18 x 96	PR1 1896H42	265	5536
18 x 120	PR1 18120H42	312	6286
24 x 72	PR1 2472H42	266	5557
24 x 96	PR1 2496H42	321	6426
24 x 120	PR1 24120H42	376	7290
30 x 72	PR1 3072H42	315	6325
30 x 96	PR1 3096H42	377	7310
30 x 120	PR1 30120H42	440	8293
36 x 72	PR1 3672H42	363	7094
36 x 96	PR1 3696H42	433	8501
36 x 120	PR1 36120H42	503	9681
42 x 72	PR1 4272H42	412	7862
42 x 96	PR1 4296H42	490	9388
42 x 120	PR1 42120H42	567	10688



To Order, Specify...

- 1 Model Number
- 2 Laminate Code
- 3 Additional Options

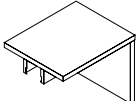


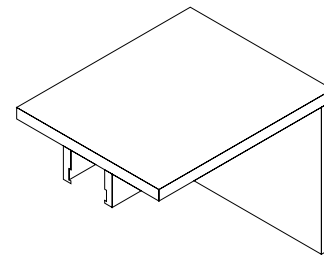
Power + Data Options

Please reference the Parsons Table Power + Data section or the Power + Data Price List

Wire Management Options

One Panel Wire ManagementBWP \$ 182
Two Panel Wire ManagementBWP2 \$ 364

	Description	Model #	Product Wt	Price
	Parsons ADA			
	30 x 36	PR1 A3036H29	111	4100
	36 x 36	PR1 A3636H29	122	4561
	42 x 36	PR1 A4236H29	133	5024



All prices are delivered list price effective with date printed on cover and supersedes all other published price lists. Versteel reserves the right to change prices or specifications without prior notice. Orders are accepted subject to price prevailing at time of shipment.

versteel.com
Made in America
800 876 2120