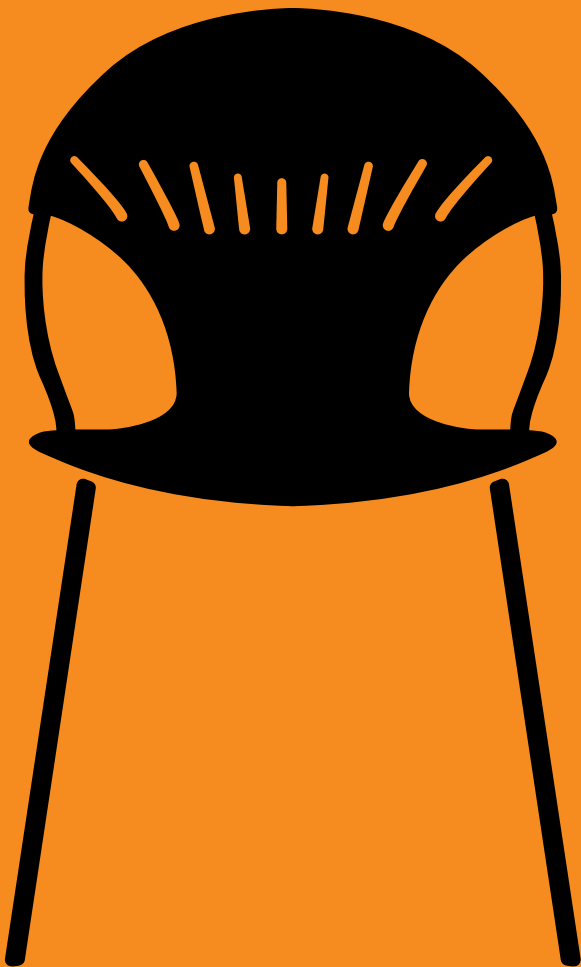


Proudly crafted in the USA.

# Seating

## 2026 Price List

[➔ JUMP TO PRICING](#)



# VERSTEEL



Catwalk is a modular soft-seating series featuring low, mid and high ledge heights that allow you to create endless configurations. Ledges may be specified in laminate, veneer or upholstery.

#### **Features**

The seat height for all catwalk units is 17 ½" tall. The unit to unit connection points for all seating models, along with same cushion dimensions, allow for easy configuration changes in the field.

#### **Legs**

Legs are 1 ¼" diameter steel tube with adjustable nylon glides.

#### **Cat's Paw™**

Every Catwalk unit is shipped with Cat's Paw linking brackets to ensure units remain connected in desired configuration. This unique design requires no tools to link units, and allows the brackets to remain on the unit when not in use.

#### **Connector Tops**

Two connector tops: rectangle and wedge may be specified to be linked to any catwalk upholstered unit. Available in laminate or veneer, these tops must be used between two units. They cannot be used at the beginning or an end of a run.

#### **Power**

If you desire USB charging the Salt unit is a perfect solution offering three different charging options. The Pepper unit is available when a power outlet is required. Additional information can be found on page 20.

#### **Shipping Schedule**

##### **Standard Items**

Fully Upholstered	4-5 WEEKS
Laminate, PVC Edge	4-5 WEEKS
Laminate, Wood Edge	4-5 WEEKS
Veneer, Wood Edge	6-8 WEEKS

Contact Versteel for special lead time requests.

#### **BIFMA**

All Versteel products are constructed to pass the relevant ANSI/BIFMA standards. For more detailed specifications by series and base style, contact Versteel Customer Service at 800.876.2120.

Additional information regarding warranty, terms and conditions, shipping, care and maintenance, etc. can be found in the All Seating price list.

**Standard Versteel Upholstery**

Standard Versteel Upholstery offers a range of materials, from fabrics in a variety of colors and textures to vinyls for soil resistance. Please refer to Versteel's fabric cards or the "Materials + Finishes" section of our website for information.

**Grade-in Upholstery**

Versteel has coordinated with upholstery manufacturers to simplify your order process. Many of the manufacturers' offerings have been pre-approved for application on Versteel Seating.

Contact Versteel Customer Service with your selected fabric choice to be graded in. You will be supplied with the appropriate grade-in designator. On your purchase order, complete the information with the pattern name, color description and grade-in designator, and Versteel will take it from there.

**Customer's Own Material**

Customer's Own Materials (COM's) are not an issue on Catwalk. Many COM's are pre-approved for application on Versteel Seating. Call Versteel Customer Service with your COM selection to determine if it has been pre-approved. If your selection has not been pre-approved, reference the "Receiving COM Approval" section below.

**Receiving COM Approval**

Not all materials are suitable for upholstery on Catwalk. A 12" x 12" memo sample must be supplied for approval before a COM material is accepted for an order. If the material is directional in pattern or weave, the pattern repeat (in inches) in both directions or the weave direction must be supplied.

**Excess COM**

Versteel will not store excess COM for more than 30 days after the order has been completed. If excess material is to be returned after order completion, send the request to Versteel Customer Service prior to acknowledged ship date. It is the customer's responsibility to arrange for the return of the material "freight collect."

**COM Requiring Application Test**

If an application test is required for your selected COM, send test sample material along with the following.

1. Name and return address
2. Model selected
3. Sketch showing special requirements for the positioning of the materials' pattern on the seat and ledge, if special considerations are required.

**NOTE** ALL UPHOLSTERIES ARE CUT UP THE ROLL TO MAXIMIZE YIELD AND WEAR PERFORMANCE

**Ship COM to:**

**Versteel**  
2332 Cathy Lane  
Jasper, IN 47546

COM must be shipped to the factory with transportation costs "prepaid." If material is considered defective or unusable, it will be returned "transportation collect."

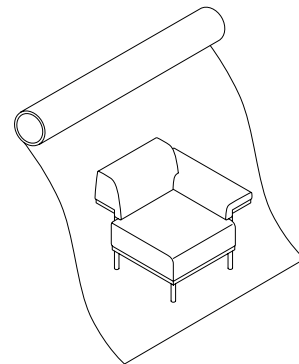
For standard lead time orders, tag fabric with purchase order number and identify with project number if possible.

**Application of Directional Fabrics**

Due to the upholstering process, some fabrics not considered directional by the supplier may be considered directional by Versteel.

All COM's are cut "up the roll" unless otherwise directed by the customer (see illustration below).

**EXAMPLE** PATTERN CUT "UP THE ROLL"



If special cutting or upholstery application is required, you must indicate requirement at time of order entry.

**Catwalk COM Yardage Requirements**

COM yardage requirements are calculated based on a material width of 54" and a repeat of 2" or less. For material less than 54" wide, contact Versteel for yardage requirements. Use the chart below as a guide to calculate your COM yardage. The "Same" column is for those units that are specified with the same fabric on the seat and the ledge. For quantities greater than 6, contact Versteel Customer Service for calculation of COM yardage by model.

Quantity of Units	1		2			3			4			5			6			
	Seat	Ledge Same	Seat	Ledge	Same	Seat	Ledge	Same	Seat	Ledge	Same	Seat	Ledge	Same	Seat	Ledge	Same	
<b>Single</b>																		
w/Ledge	2.0			3.0			4.0			5.0			6.0			6.5		
w/Low Bumper Ledge	2.0	1.0	2.0	3.0	1.5	3.5	4.0	1.5	5.0	5.0	1.5	6.0	6.0	2.0	7.0	6.5	2.5	8.0
w/Low Padded Ledge	2.0	1.0	3.0	3.0	2.0	5.0	4.0	2.0	6.0	5.0	2.5	7.5	6.0	3.0	9.0	6.5	3.5	10.0
w/Mid Padded Ledge	2.0	1.5	3.5	3.0	2.0	5.0	4.0	2.5	6.5	5.0	3.5	8.5	6.0	3.5	9.5	6.5	4.5	11.0
w/High Padded Ledge	2.0	1.5	3.5	3.0	2.5	5.5	4.0	3.0	7.0	5.0	4.0	9.0	6.0	4.5	10.5	6.5	5.5	12.0
<b>Corner</b>																		
w/Ledge	2.0			3.0			4.0			5.0			6.0			6.5		
w/Low Bumper Ledge	2.0	1.5	3.5	3.0	1.5	4.5	4.0	2.5	6.5	5.0	3.0	8.0	6.0	3.5	9.5	6.5	4.0	10.5
w/Low Padded Ledge	2.0	2.0	4.0	3.0	3.5	6.5	4.0	5.0	9.0	5.0	6.0	11.0	6.0	7.5	13.5	6.5	9.0	15.5
w/Mid Padded Ledge	2.0	3.0	5.0	3.0	4.5	7.5	4.0	6.0	10.0	5.0	8.0	13.0	6.0	9.5	15.5	6.5	11.0	17.5
w/High Padded Ledge	2.0	3.5	5.5	3.0	5.5	8.5	4.0	7.5	11.5	5.0	9.5	14.5	6.0	11.5	17.5	6.5	13.5	20.0
<b>End</b>																		
w/Low Pad Ledge + Mid Padded Ledge	2.0	2.5	4.5	3.0	3.5	6.5	4.0	5.0	9.0	5.0	5.5	10.5	6.0	7.0	13.0	6.5	8.0	14.5
w/Low Pad Ledge + High Padded Ledge	2.0	2.5	4.5	3.0	4.0	7.0	4.0	5.5	9.5	5.0	6.5	11.5	6.0	8.0	14.0	6.5	9.5	16.0
<b>Split Level</b>																		
w/Top	2.0			3.0			4.0			5.0			6.0			6.5		
w/Low Padded Top	2.0	2.0	4.0	3.0	3.5	6.5	4.0	4.0	8.0	5.0	5.5	10.5	6.0	5.5	11.5	6.5	7.5	14.0
w/Mid Padded Top	2.0	2.0	4.0	3.0	4.0	7.0	4.0	5.0	9.0	5.0	6.5	11.5	6.0	7.5	13.5	6.5	9.5	16.0
<b>Bridge Models</b>																		
w/Top	3.0			5.0			6.5			8.5			11.5			13.5		
w/Low Padded Top	3.0	2.0	5.0	5.0	3.5	8.5	6.5	4.0	10.5	8.5	5.5	14.0	11.5	5.5	17	13.5	7.5	21.0
w/Mid Padded Top	3.0	2.0	5.0	5.0	4.0	9.0	6.5	5.0	14.5	8.5	6.5	15.0	11.5	7.5	19	13.5	9.5	23.0
<b>Ottoman</b>																		
Seat Only	2.0			3.0			4.0			5.0			6.0			6.5		

**Patterned COM Additional Yardage Guide**

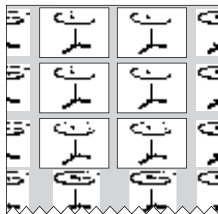
Use the guide below to aid in ordering the appropriate COM fabric when needing to match a pattern with a repeat. To use this guide, add the vertical and horizontal repeats together (e.g. a 5" vertical repeat plus an 11" horizontal repeat gives a 16" total). Then find the appropriate entry on the chart, and increase the yardage estimate by the percentage indicated.

For example: The yardage estimate is 8 yards of 54" wide fabric and the pattern has a repeat of 11" horizontal and 5" vertical. Add up the repeats (11" + 5" = 16") and find the appropriate entry - 15% in this example. Fifteen percent more fabric is required to match the pattern. 8 yards plus an extra 15% is 9.2 yards.

Fabric Width	Plain Fabric	3" - 14" Repeat	15" - 19" Repeat	20" - 27" Repeat	28" - 36" Repeat	37" - 45" Repeat	46" - 54" Repeat
54"	0%	10%	15%	20%	25%	30%	35%
50" - 52"	10%	20%	25%	30%	35%	40%	45%

**Decorative Patterns**

Yardage requirements are greatly affected by the size of the repeat and the print or pattern of the material. Versteel cuts all seating patterns with aesthetic concerns in mind for high quality and consistency. Refer to the COM listing for the yardage required for pattern repeat.



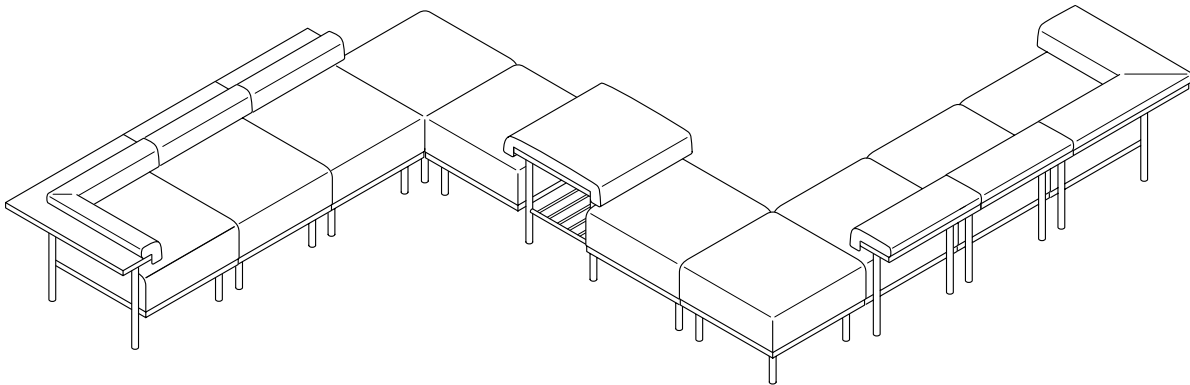
**Linking Configurations**

All Catwalk models can be combined to create configurations for relaxation, studying, collaboration, etc. Mix and match different ledge heights and styles along with the ottoman or one of the connector tops. When using a connector top keep in mind it must be used between non-ledge sides of two units.

**Configuration Examples**

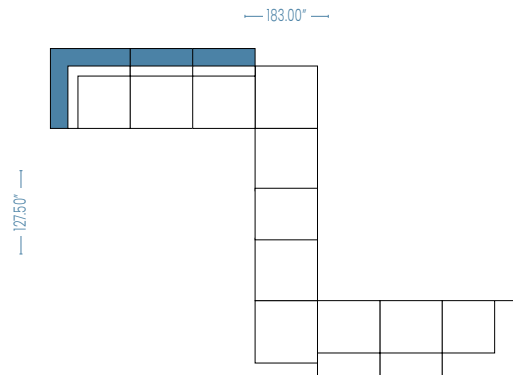
Versteel will help you with your configuration if you have concerns. Simply call Customer Service and provide the dimensions of your space and the type of configuration you desire. Like any other space planning, it is helpful to know where the power sources are, as well as windows, doors and other obstructions and proposed traffic patterns.

Shown below and on the following pages are some idea starters. Units are priced with a powder coat frame, grade 2/COM fabric, laminate ledge and PVC edge.

**Zig Zag Configuration**

- (1) CW3030 L02LP
- (2) CW2430 L02LP
- (2) CW2424
- (1) CW2466 L03P
- (2) CW2431 L03P
- (1) CW3131 L03P

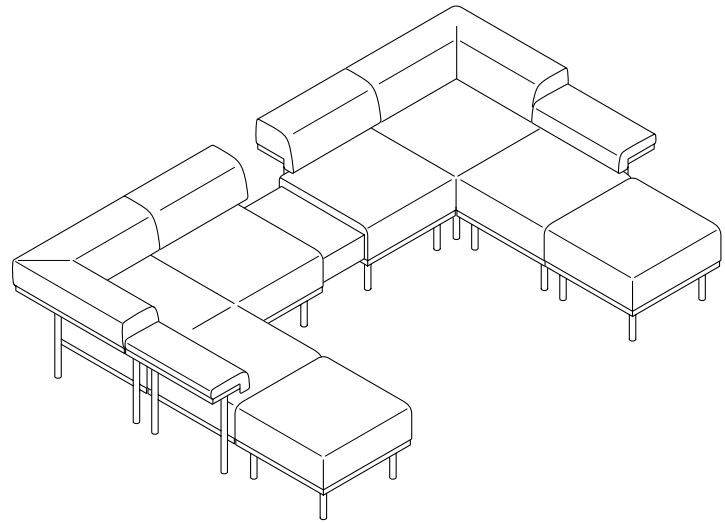
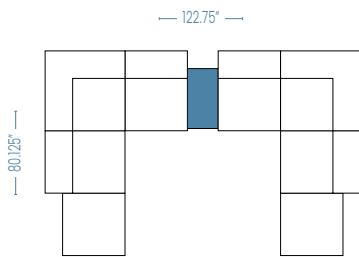
Total List: \$23,042



**U Configuration**

- (2) CW2424
- (2) CW2431 L03P
- (2) CW3131 M03P
- (2) CW2431 M03P
- (1) CW1223RE

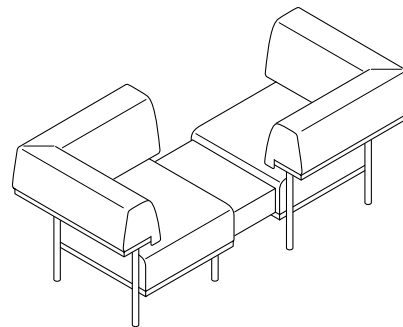
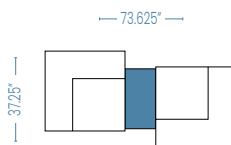
Total List: \$20,981



**Conversation Configuration**

- (2) CW3131 H03P
- (1) CW1223RE

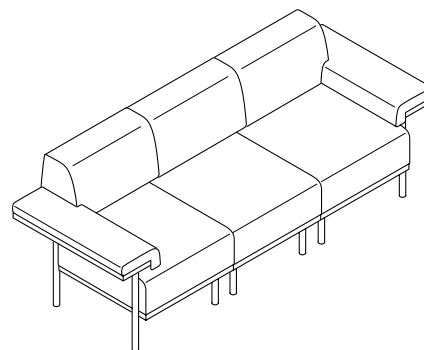
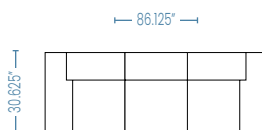
Total List: \$7,979



**Sofa Configuration**

- (1) CW3131 LRHB03P
- (1) CW2431 H03P
- (1) CW3131 LLHB03P

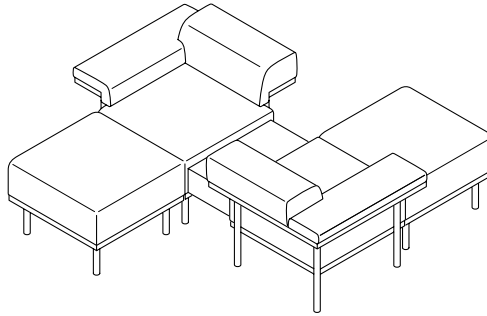
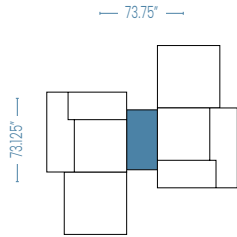
Total List: \$8,905



**Chaise Configuration**

- (2) CW2424
- (2) CW3131 LRMB03P
- (1) CW1223RE

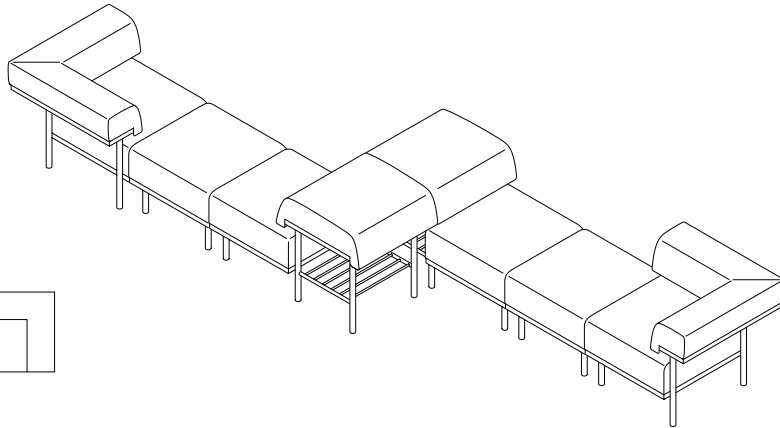
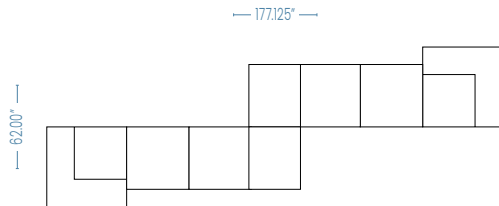
Total List: \$11,023



**Offset Inline Configuration**

- (2) CW3131 M03P
- (2) CW2424
- (2) CW2446 M03P

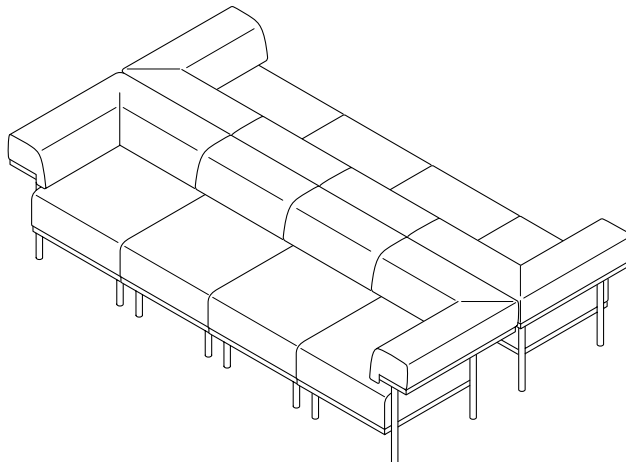
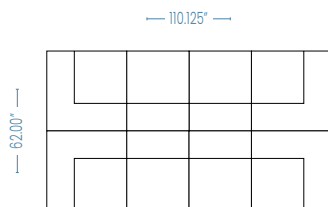
Total List: \$16,420



**Back to Back Configuration**

- (4) CW3131 M03P
- (4) CW2431 M03P

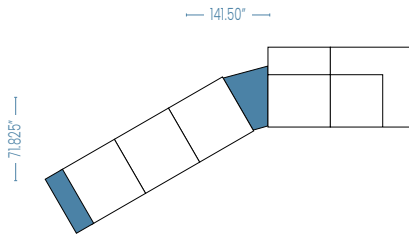
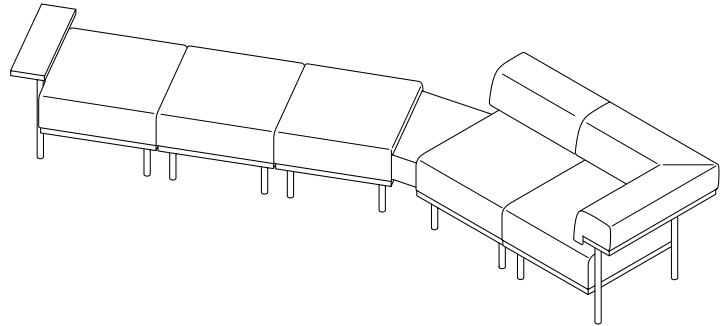
Total List: \$23,052



**Angled Configuration**

- (1) CW2430 L01LP
- (2) CW2424
- (1) CW30D18WG
- (1) CW2431 M03P
- (1) CW3131 M03P

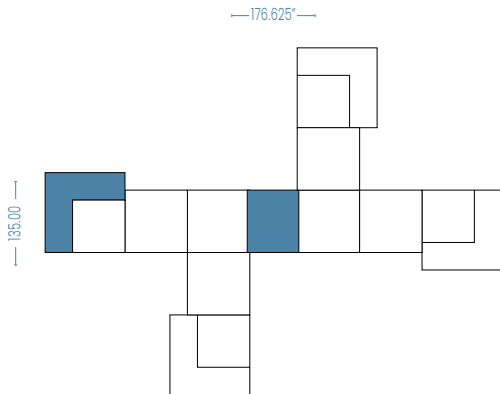
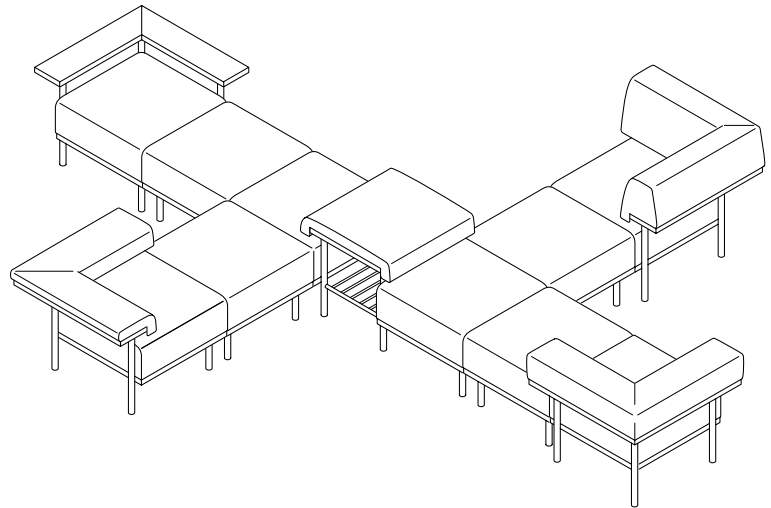
Total List: \$12,664



**Pinwheel Configuration**

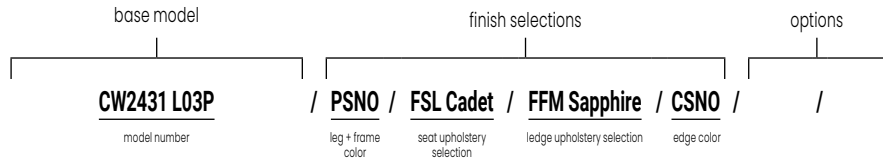
- (1) CW2466 L03P
- (4) CW2424
- (1) CW3131 L03P
- (1) CW3030 L01LP
- (1) CW3131 H03P
- (1) CW3131 M03P

Total List: \$23,076



**To Order, Specify...**

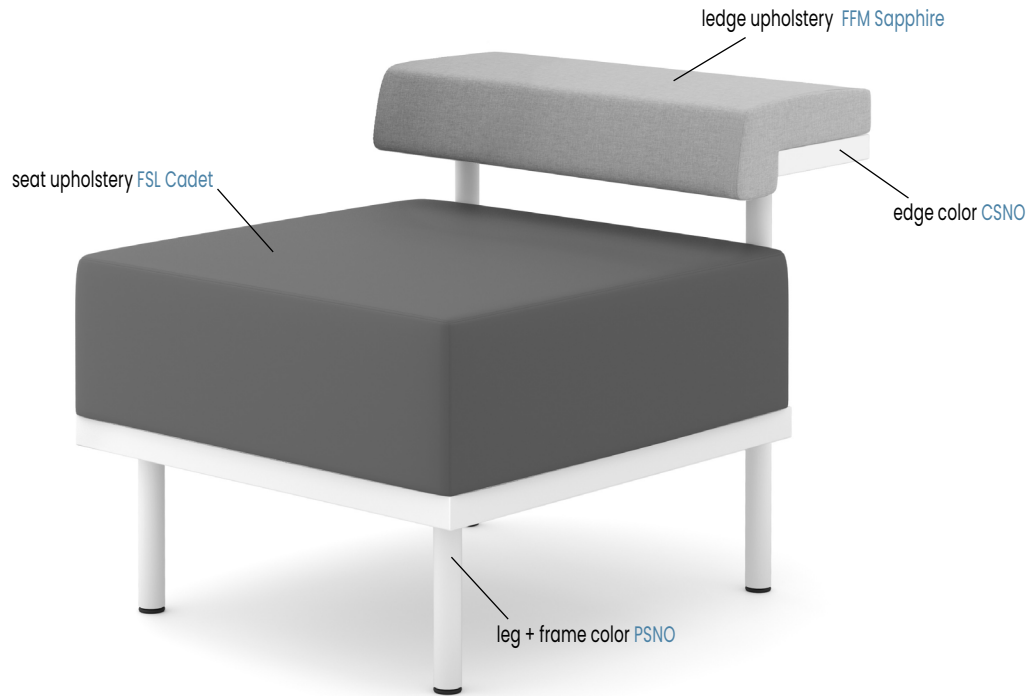
- 1 Model Number, include edge style
- 2 Leg + Frame Color
- 3 Seat Upholstery Selection
- 4 Bumper Upholstery Selection
- 5 Ledge Material
  - a. Laminate manufacturer + color
  - b. Veneer species + finish color
  - c. Upholstery Selection
- 6 Ledge Edge Color or Finish
- 7 Additional Options



A **CW2431 L03P** is a Catwalk series, single with upholstered seat and upholstered low padded ledge and flat PVC edge.

The codes **PSNO / FSL Cadet / FFM Sapphire / CSNO** specify Snow legs and frame color with Grade 3 Solitaire Cadet upholstery for the seat and a Grade 4 Faux Mo Sapphire fabric for the ledge with a Snow PVC edge.

**Model Number CW2431 L03P**



**Orders may be sent via**

**Mailing Address**  
Versteel  
2332 Cathy Lane  
Jasper IN 47546

**Contact Versteel**

**Email** contact@versteel.com  
**Phone** 800 876 2120  
812 634 2120

**Powder Coat Finishes**

All powder coat finishes in the Versteel offering have been formulated with the use of epoxy, polyester or epoxy and polyester blends to maximize the finish durability.

**Powder Coat Finish Options**

Powder Coat – Standard . . . . .	n/c
Powder Coat – Premium. . . . .	\$165

**Powder Coat Colors**

Alloy . . . . .	.PALY	Navy . . . . .	.PNAV
Amethyst . . . . .	.PAME	Nimbus. . . . .	.PNIM
Anthracite . . . . .	.PANT	Nutmeg . . . . .	.PNUT
Black Anodized. . . . .	.PBLA	Pearl . . . . .	.PPEA
Bronze . . . . .	.PBRO	Pebble . . . . .	.PPEB
Calypso . . . . .	.PCAL	Platinum . . . . .	.PPLA
Carbon . . . . .	.PCAR	Poppy. . . . .	.PPOP
Champagne . . . . .	.PCHA	Royal . . . . .	.PROY
Coconut . . . . .	.PCOC	Seaside . . . . .	.PSEA
Crimson . . . . .	.PCRI	Shipyard . . . . .	.PSHI
Daffodil. . . . .	.PDAF	Silver . . . . .	.PSIL
Ebony . . . . .	.PEBO	Snow . . . . .	.PSNO
Forest. . . . .	.PFOR	Stone . . . . .	.PSTO
Fossil . . . . .	.PFOS	Storm. . . . .	.PSTM
Graphite . . . . .	.PGRA	Terra Cotta . . . . .	.PTEC
Hope . . . . .	.PHOP	Whisper . . . . .	.PWHI
Kelly Green . . . . .	.PKEG	White Linen . . . . .	.PWHL
Mica. . . . .	.PMIC	Powder Coat Alternative .	.OPA
Mint . . . . .	.PMNT		

**NOTE** TRANSPARENT POWDER COATS ARE NOT AVAILABLE ON CATWALK

**Premium Powder Coats (indicated by Ⓢ)**

Versteel’s premium process uses specially formulated powder coats for a truly unique color palette.

**Plated**

Versteel offers two plated options: Chrome and Nickel. Chrome is our most durable finish available and is a deep luster chrome plated finish. Nickel is a plated finish with a clear coat applied for durability. An upcharge applies for plated finishes. See product pricing pages for upcharge.

Chrome . . . . .	ECHR
Nickel . . . . .	ENKL

**Laminate**

Versteel’s standard offering of laminates includes over 900 laminates from Formica, Nevamar, Pionite and Wilsonart.

Laminate manufacturers change standard offerings frequently, making it possible a standard product can become unavailable. Versteel cannot be responsible for any inconvenience this may cause.

**PVC Edge Colors**

Absolute Acajou . . . . .	.CABA	Nimbus. . . . .	.CNIM
Alloy. . . . .	.CALY	Pearl . . . . .	.CPEA
Carbon. . . . .	.CCAR	Platinum . . . . .	.CPLA
Champagne . . . . .	.CCHA	Pralines & Cream . . . . .	.CPRC
Coconut . . . . .	.CCOC	Shadow . . . . .	.CSHA
Ebony. . . . .	.CEBO	Snow . . . . .	.CSNO
Florence Walnut . . . . .	.CFLW	Stone . . . . .	.CSTO
Fossil . . . . .	.CFOS	Storm . . . . .	.CSTM
Grahitte . . . . .	.CGRA	Whisper . . . . .	.CWHI
Grey. . . . .	.CGRE	White Linen . . . . .	.CWHL
Kensington Maple. . . . .	.CKEM		

**Wood Edge Species**

Ash . . . . .	.A01	Maple. . . . .	.M01
Cherry . . . . .	.C01	Walnut . . . . .	.W01

**Wood Edge Finishes**

<b>Ash</b>			
Beach. . . . .	.WBEA	Fog . . . . .	.WFOG
Chestnut. . . . .	.WCHE	Pebble . . . . .	.WPEB
Drift . . . . .	.WDRI	Whisper . . . . .	.WWHI
Fawn . . . . .	.WFAW		

**Cherry**

Blossom Cherry . . . . .	.WBLC	Java Cherry. . . . .	.WJAC
Cordovan Cherry . . . . .	.WCNC	Millwork Cherry. . . . .	.WMWC
Golden Cherry . . . . .	.WGNC		

**Maple**

Caramel Maple . . . . .	.WCMM	Sugar Maple . . . . .	.WSUM
Solar Maple. . . . .	.WSLM		

**Walnut**

Brighton Walnut . . . . .	.WBRW	Natural Walnut. . . . .	.WNAW
Espresso Walnut. . . . .	.WESW		

**Veneer**

Catwalk ledges are available with plain sliced Ash, Cherry, Maple and Walnut veneers.

**Veneer Species**

Ash . . . . .	AP01	Maple. . . . .	MP01
Cherry . . . . .	CP01	Walnut . . . . .	WP01

**Veneer Finish****Ash**

Beach. . . . .	VBEA	Fog . . . . .	VFOG
Chestnut. . . . .	VCHE	Pebble . . . . .	VPEB
Drift . . . . .	VDRI	Whisper . . . . .	VWHI
Fawn . . . . .	VFAW		

**Cherry**

Blossom Cherry . . . . .	VBLC	Java Cherry. . . . .	VJAC
Cordovan Cherry . . . . .	VCNC	Millwork Cherry. . . . .	VMWC
Golden Cherry . . . . .	VGNC		

**Maple**

Caramel Maple . . . . .	VCMM	Sugar Maple . . . . .	VSUM
Solar Maple. . . . .	VSLM		

**Walnut**

Brighton Walnut . . . . .	VBRW	Natural Walnut. . . . .	VNAW
Espresso Walnut. . . . .	VESW		

**Finish Reference & Samples**

For finish color reference, please refer to our website. Contact Versteel Customer Service to receive actual color samples for color matches and final color approval.

**Powder Coat Alternative****Call for quotation**

Specify code **OPA** (Powder Coat Alternative), add cost from Versteel quotation

Powder Coat Alternative is available from Versteel. The entire RAL color reference along with hundreds of other color and finishes are available.

For Powder Coat Alternative matching, you must supply a color reference sample, or an RAL number. Versteel will review the sample for possible existing colors available and send a sample for customer approval. If no color match exists a custom match can be developed. Call Versteel Customer Service for associated upcharges on custom color development.

**NOTE** CUSTOM COLOR MATCHING APPROVALS MAY AFFECT STANDARD PRODUCTION SCHEDULES

**Special Laminate****Call for quotation**

Specify code **TSP** (Special Laminate), indicate the quoted charges per table

Special laminates and patterns can be specified as an option on Troupe. To specify, contact Versteel for availability and pricing.

**NOTE** LAMINATES IN STANDARD COLORS AND TEXTURES FROM FORMICA, NEVAMAR, PIONITE AND WILSONART ARE STANDARD

**CAUTION** LAMINATE MANUFACTURERS CHANGE STANDARD OFFERINGS FREQUENTLY, AND IT IS POSSIBLE THAT A STANDARD PRODUCT CAN BECOME UNAVAILABLE. VERSTEEL CANNOT BE RESPONSIBLE FOR ANY INCONVENIENCE THIS MAY CAUSE.

**Custom PVC Color Match****Call for quotation / one time charge per color, per order**

Specify code **OCF** (Custom PVC Color Match), add cost from Versteel quotation

PVC Color Match can be the selection of a color that is available from a Versteel supplier or a new custom color developed for the order. Minimum footage requirements mean that the amount of material needed for your order will effect the cost.

For PVC Color Matching you must supply a color reference sample. Versteel will review the sample for possible existing colors available and send a sample for customer approval. If no color match exists, a custom match will be developed and sampled for customer approval before a production schedule is established.

**NOTE** CUSTOM COLOR MATCHING APPROVALS MAY AFFECT STANDARD PRODUCTION SCHEDULES

**Stain Finish Match****\$957 / one time charge per finish, per order**

Specify code **OSM** (Stain Finish Match), add \$957.00 list per finish, per order

Alternative Stain Finishes are available for veneer and wood edged tops.

For Stain Finish Matching you must supply two 4" x 4" finish color and grain reference samples. An expertly finish matched sample will be provided for customer approval.

**NOTE** CUSTOM COLOR MATCHING APPROVALS MAY AFFECT STANDARD PRODUCTION SCHEDULES

**Veneer or Wood Edge Alternatives**

For veneer or wood edge requirements other than our standard plain sliced Ash, Cherry, Maple or Walnut, contact Versteel Customer Service with the specifications of the materials you would like to specify.

**NOTE** VENEER OR WOOD EDGE ALTERNATIVES APPROVAL MAY AFFECT STANDARD PRODUCTION SCHEDULES

**Wood Finish Alternatives**

Versteel finish has a natural grain fill level finish appearance, contact Versteel Customer Service for alternative fill levels. Coarse grain will require additional application steps for a full-fill grain appearance and will require a quote.

**NOTE** WOOD FINISH ALTERNATIVE APPROVAL MAY AFFECT STANDARD PRODUCTION SCHEDULES

**Salt or Pepper**

Individual dual USB charger or power outlet for easy, quick access applications.

**SPECIFICATIONS**

- Salt or Pepper hole mount is 1 3/4" diameter
- Spill-proof power simplex
- Square grommet
- 72" long power cord

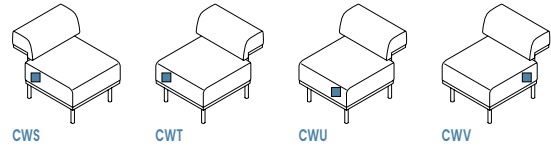
Model	Description	
SSLT3	One (1) single port high power USB C charger	\$393 list
SSLT4	One (1) USB A + USB C Charger	\$237 list
SPPR	One (1) power outlet	\$104 list

**Unit Color**

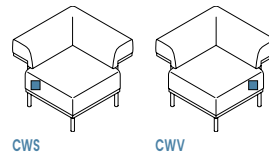
BERP	Berry	n/c
BLKP	Black	n/c
DSKP	Dusk	n/c
FOGP	Fog	n/c
HNYP	Honey	n/c
NVYP	Navy	n/c
PCKP	Peacock	n/c
PPYP	Poppy	n/c
SRMP	Storm	n/c
WHTP	White	n/c

**Model Example: SSLT4-BLKP**

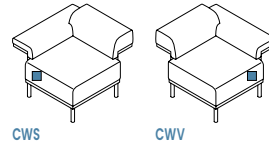
**Single**



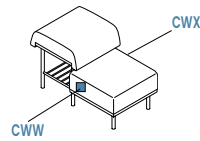
**Corner**



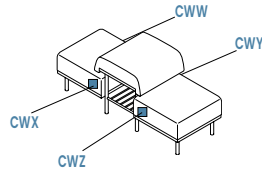
**End (electrical on same side as low padded ledge only)**



**Split Level**



**Bridge**






**Questions?**

800 876 2120

					material/fabric grade >				
					2/COM	3	4	5	6
Description	Model#	Product Wt	Dimensions						
 <b>Single with Ledge</b> Seat: Upholstered		44	Overall Height: 22" Overall Width: 30¼" Overall Depth: 24"	Seat Height: 17½" Seat Width: 23" Seat Depth: 24" Ledge Depth: 7¼"					
	Ledge: Laminate/Flat PVC	<b>CW2430 L01LP</b>			1992	2132	2412	2833	3394
	Ledge: Laminate/Flat Wood	<b>CW2430 L01LW</b>			2170	2310	2590	3011	3572
	Ledge: Veneer/Flat Wood	<b>CW2430 L01VW</b>			2527	2667	2948	3368	3930
 <b>Single with Low Bumper Ledge</b> Seat: Upholstered		46	Overall Height: 24¼" Overall Width: 30¼" Overall Depth: 24"	Seat Height: 17½" Seat Width: 20¾" Seat Depth: 24" Ledge Depth: 6¼"					
	Ledge: Laminate/Flat PVC	<b>CW2430 L02LP</b>			2324	2534	2954	3585	4427
	Ledge: Laminate/Flat Wood	<b>CW2430 L02LW</b>			2502	2712	3132	3763	4605
	Ledge: Veneer/Flat Wood	<b>CW2430 L02VW</b>			2857	3067	3489	4120	4960
 <b>Single with Low Padded Ledge</b> Seat: Upholstered		48	Overall Height: 24¾" Overall Width: 30¾" Overall Depth: 24"	Seat Height: 17½" Seat Width: 20¾" Seat Depth: 24" Ledge Depth: 10½"					
	Ledge: Upholstered/Flat PVC	<b>CW2431 L03P</b>			2371	2581	3001	3632	4474
	Ledge: Upholstered/Flat Wood	<b>CW2431 L03W</b>			2548	2759	3179	3810	4651
 <b>Single with Mid Padded Ledge</b> Seat: Upholstered		53	Overall Height: 28" Overall Width: 30¾" Overall Depth: 24"	Seat Height: 17½" Seat Width: 20¾" Seat Depth: 24" Ledge Depth: 10½"					
	Ledge: Upholstered/Flat PVC	<b>CW2431 M03P</b>			2559	2840	3400	4242	5364
	Ledge: Upholstered/Flat Wood	<b>CW2431 M03W</b>			2738	3018	3579	4419	5542
 <b>Single with High Padded Ledge</b> Seat: Upholstered		55	Overall Height: 32" Overall Width: 30¾" Overall Depth: 24"	Seat Height: 17½" Seat Width: 20¾" Seat Depth: 24" Ledge Depth: 10¾"					
	Ledge: Upholstered/Flat PVC	<b>CW2431 H03P</b>			2596	2876	3438	4279	5400
	Ledge: Upholstered/Flat Wood	<b>CW2431 H03W</b>			2774	3055	3616	4457	5578

**To Order, Specify...**

- 1 Model Number
- 2 Leg + Frame Color
- 3 Seat Upholstery Selection
- 4 Bumper Upholstery Selection
- 5 Ledge Material
  - a. Laminate Manufacturer + Color
  - b. Veneer Species + Finish Color
  - c. Upholstery Selection
- 6 Ledge Edge Color or Finish
- 7 Additional Options



				material / fabric grade >		2/COM	3	4	5	6
Description	Model#	Product Wt	Dimensions							
<p><b>Corner with Ledge</b> Seat: Upholstered</p>		53	Overall Height: 22" Overall Width: 30¼" Overall Depth: 30¼"	Seat Height: 17½" Seat Width: 23" Seat Depth: 23" Ledge Depth: 7¼"						
	Ledge: Laminate/Flat PVC	<b>CW3030 L01LP</b>			2183	2324	2604	3025	3585	
	Ledge: Laminate/Flat Wood	<b>CW3030 L01LW</b>			2540	2681	2961	3382	3942	
	Ledge: Veneer/Flat Wood	<b>CW3030 L01VW</b>			3254	3394	3675	4095	4656	
<p><b>Corner with Low Bumper Ledge</b> Seat: Upholstered Bumper: Upholstered</p>		56	Overall Height: 24¼" Overall Width: 30¼" Overall Depth: 30¼"	Seat Height: 17½" Seat Width: 20¾" Seat Depth: 20¾" Ledge Depth: 6¼"						
	Ledge: Laminate/Flat PVC	<b>CW3030 L02LP</b>			2729	3010	3571	4412	5534	
	Ledge: Laminate/Flat Wood	<b>CW3030 L02LW</b>			3086	3366	3926	4768	5890	
	Ledge: Veneer/Flat Wood	<b>CW3030 L02VW</b>			3799	4079	4640	5481	6603	
<p><b>Corner with Low Padded Ledge</b> Seat: Upholstered</p>		62	Overall Height: 24¾" Overall Width: 30¾" Overall Depth: 30¾"	Seat Height: 17½" Seat Width: 20¾" Seat Depth: 20¾" Ledge Depth: 10½"						
	Ledge: Upholstered/Flat PVC	<b>CW3131 L03P</b>			2850	3130	3691	4533	5654	
	Ledge: Upholstered/Flat Wood	<b>CW3131 L03W</b>			3207	3488	4048	4890	6012	
<p><b>Corner with Mid Padded Ledge</b> Seat: Upholstered</p>		72	Overall Height: 28" Overall Width: 30¾" Overall Depth: 30¾"	Seat Height: 17½" Seat Width: 20¾" Seat Depth: 20¾" Ledge Depth: 10½"						
	Ledge: Upholstered/Flat PVC	<b>CW3131 M03P</b>			3204	3554	4255	5307	6708	
	Ledge: Upholstered/Flat Wood	<b>CW3131 M03W</b>			3595	3910	4612	5663	7065	
<p><b>Corner with High Padded Ledge</b> Seat: Upholstered</p>		80	Overall Height: 32" Overall Width: 30¾" Overall Depth: 30¾"	Seat Height: 17½" Seat Width: 20¾" Seat Depth: 20¾" Ledge Depth: 10¾"						
	Ledge: Upholstered/Flat PVC	<b>CW3131 H03P</b>			3344	3764	4606	5868	7550	
	Ledge: Upholstered/Flat Wood	<b>CW3131 H03W</b>			3700	4121	4962	6224	7907	

Leg + Frame Options	Price
Chrome .....	\$ 165
Nickel.....	\$ 223
Powder Coat - Standard.....	n/c
Powder Coat - Premium.....	\$ 165

**Power + Charging Options**  
See page 20 for power and charging options.

Custom Charges	Code	Price
Powder Coat Alternative (per color) .....	OPA	call
Stain Finish Match.....	OSM	\$ 996

**Catwalk**

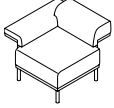
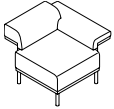
End  
Mid Padded Ledge - Back



**VERSTEEL**

**Questions?**

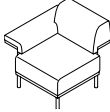
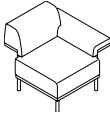
800 876 2120

					material/fabric grade >				
					2/COM	3	4	5	6
Description	Model#	Product Wt	Dimensions						
 <p><b>End Unit with Padded Ledge</b> Low Padded Ledge: Right Mid Padded Ledge: Back Seat: Upholstered</p>		66	Overall Height: 28" Overall Width: 30% Overall Depth: 30% Seat Height: 17½"	Seat Width: 20% Seat Depth: 20% Low Ledge DPTH: 10½" Mid Ledge DPTH: 10½"					
	Ledge: Upholstered/Flat PVC	<b>CW3131 LRMB03P</b>			3155	3505	4206	5258	6660
	Ledge: Upholstered/Flat Wood	<b>CW3131 LRMB03W</b>			3510	3861	4562	5614	7016
 <p><b>End Unit with Padded Ledge</b> Low Padded Ledge: Left Mid Padded Ledge: Back Seat: Upholstered</p>		66	Overall Height: 28" Overall Width: 30% Overall Depth: 30% Seat Height: 17½"	Seat Width: 20% Seat Depth: 20% Low Ledge DPTH: 10½" Mid Ledge DPTH: 10½"					
	Ledge: Upholstered/Flat PVC	<b>CW3131 LLMB03P</b>			3155	3505	4206	5258	6660
	Ledge: Upholstered/Flat Wood	<b>CW 3131 LLMB03W</b>			3510	3861	4562	5614	7016

**To Order, Specify...**

- 1 Model Number
- 2 Leg + Frame Color
- 3 Seat Upholstery Selection
- 4 Ledge Upholstery Selection
- 5 Ledge Edge Color or Finish
- 6 Additional Options

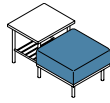


				material / fabric grade >		2/COM	3	4	5	6
Description	Model#	Product Wt	Dimensions							
	<b>End Unit with Padded Ledge</b> Low Padded Ledge: Right High Padded Ledge: Back Seat: Upholstered	69	Overall Height: 32" Overall Width: 30% Overall Depth: 30% Seat Height: 17½"	Seat Width: 20% Seat Depth: 20% Low Ledge DPTH: 10½" Mid Ledge DPTH: 10%*						
	Ledge: Upholstered/Flat PVC	<b>CW3131 LRHB03P</b>			3155	3505	4206	5258	6660	
	Ledge: Upholstered/Flat Wood	<b>CW3131 LRHB03W</b>			3510	3861	4562	5614	7016	
	<b>End Unit with Padded Ledge</b> Low Padded Ledge: Left High Padded Ledge: Back Seat: Upholstered	69	Overall Height: 32" Overall Width: 30% Overall Depth: 30% Seat Height: 17½"	Seat Width: 20% Seat Depth: 20% Low Ledge DPTH: 10½" Mid Ledge DPTH: 10%*						
	Ledge: Upholstered/Flat PVC	<b>CW3131 LLHB03P</b>			3155	3505	4206	5258	6660	
	Ledge: Upholstered/Flat Wood	<b>CW3131 LLHB03W</b>			3510	3861	4562	5614	7016	

Leg + Frame Options	Price
Chrome .....	\$ 165
Nickel.....	\$ 223
Powder Coat - Standard.....	n/c
Powder Coat - Premium.....	\$ 165

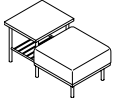
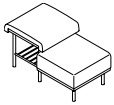
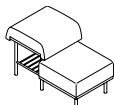
**Power + Charging Options**  
See page 20 for power and charging options.

Custom Charges	Code	Price
Powder Coat Alternative (per color) .....	OPA	call
Stain Finish Match.....	OSM	\$ 996



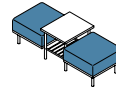
**Questions?**

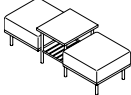
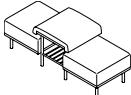
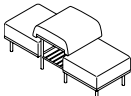
800 876 2120

					material/fabric grade >	2/COM	3	4	5	6
Description	Model#	Product Wt	Dimensions							
 <p><b>Single with Top</b> Seat: Upholstered</p>		65	Overall Height: 22" Overall Width: 43" Overall Depth: 24"	Seat Height: 17½" Seat Width: 23" Seat Depth: 24" Top Size: 20" x 24"						
	Top: Laminate/Flat PVC	<b>CW2443 L01LP</b>			2634	2774	3055	3475	4036	
	Top: Laminate/Flat Wood	<b>CW2443 L01LW</b>			2890	3030	3311	3731	4292	
	Top: Veneer/Flat Wood	<b>CW2443 L01VW</b>			3400	3541	3821	4242	4803	
 <p><b>Single with Low Padded Top</b> Seat: Upholstered</p>		77	Overall Height: 24⅞" Overall Width: 45⅝" Overall Depth: 24"	Seat Height: 17½" Seat Width: 20⅝" Seat Depth: 24" Top Size: 25¼" x 24"						
	Top: Upholstered/Flat PVC	<b>CW2446 L03P</b>			3111	3392	3952	4794	5916	
	Top: Upholstered/Flat Wood	<b>CW2446 L03W</b>			3366	3647	4207	5049	6171	
 <p><b>Single with Mid Padded Top</b> Seat: Upholstered</p>		48	Overall Height: 28½" Overall Width: 45⅝" Overall Depth: 24"	Seat Height: 17½" Seat Width: 20⅝" Seat Depth: 24" Top Size: 25¼" x 24"						
	Top: Upholstered/Flat PVC	<b>CW2446 M03P</b>			3295	3575	4137	4978	6099	
	Top: Upholstered/Flat Wood	<b>CW2446 M03W</b>			3551	3831	4392	5234	6355	

**To Order, Specify...**

- 1 Model Number
- 2 Leg + Frame Color
- 3 Seat Upholstery Selection
- 4 Top Material
  - a. Laminate Manufacturer + Color
  - b. Veneer Species + Finish Color
  - c. Upholstery Selection
- 5 Top Edge Color or Finish
- 6 Additional Options



						material / fabric grade >				
						2/COM	3	4	5	6
Description	Model#	Product Wt	Dimensions							
 <p><b>Two Singles with Top</b> Seats: Upholstered</p>		93	Overall Height: 22" Overall Width: 66" Overall Depth: 24"	Seat Height: 17½" Seat Width: 23" Seat Depth: 24" Top Size: 20" x 24"						
	Top: Laminate/Flat PVC	<b>CW2466 L01LP</b>			4175	4385	4806	5437	6278	
	Top: Laminate/Flat Wood	<b>CW2466 L01LW</b>			4430	4640	5061	5691	6533	
	Top: Veneer/Flat Wood	<b>CW2466 L01VW</b>			4942	5153	55743	6204	7045	
 <p><b>Two Singles with Low Padded Top</b> Seats: Upholstered</p>		105	Overall Height: 24⅞" Overall Width: 66" Overall Depth: 24"	Seat Height: 17½" Seat Width: 20⅞" Seat Depth: 24" Top Size: 25¼" x 24"						
	Top: Upholstered/Flat PVC	<b>CW2466 L03P</b>			4651	5002	5703	6754	8157	
	Top: Upholstered/Flat Wood	<b>CW2466 L03W</b>			4907	5258	5959	7010	8143	
 <p><b>Two Singles with Mid Padded Top</b> Seats: Upholstered</p>		120	Overall Height: 28½" Overall Width: 66" Overall Depth: 24"	Seat Height: 17½" Seat Width: 20⅞" Seat Depth: 24" Top Size: 25¼" x 24"						
	Top: Upholstered/Flat PVC	<b>CW2466 M03P</b>			4836	5187	5888	6939	8341	
	Top: Upholstered/Flat Wood	<b>CW2466 M03W</b>			5092	5443	6144	7195	8597	

**Leg + Frame Options**

Chrome .....	\$ 165
Nickel.....	\$ 223
Powder Coat - Standard.....	n/c
Powder Coat - Premium.....	\$ 165

**Power + Charging Options**

See page 20 for power and charging options.

**Custom Charges**

Powder Coat Alternative (per color) .....	OPA	call
Stain Finish Match.....	OSM	\$ 996



**Questions?**

800 876 2120

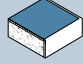
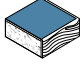
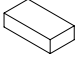
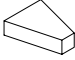
material/fabric grade >

					2/COM	3	4	5	6	
		<b>Description</b>	<b>Model#</b>	<b>Product Wt</b>	<b>Dimensions</b>					
		<b>Ottoman</b>	<b>CW2424</b>	35	Overall Height: 17½"	1711	1852	2132	2553	3113
		Seat: Upholstered			Overall Width: 24"					
					Overall Depth: 24"					

**To Order, Specify...**

- 1 Model Number
- 2 Leg + Frame Color
- 3 Seat Upholstery Selection
- 4 Top Material
  - a. Laminate Manufacturer + Color
  - b. Veneer Species + Finish Color
- 5 Additional Options



					top > edge >	Laminate Self Edge	Veneer Self Edge
					LL9	VV9	
							
	Description	Model#	Product Wt	Dimensions			
	<b>Connector Top</b> Rectangle	CW1223RE	19	Width: 12" Depth: 23" Height: 6" Mounted Height: 15 1/2"	1291	2245	
	<b>Connector Top</b> 30° Wedge	CW30D18WG	19	Width: 17 7/8" Depth: 22 1/4" Height: 6" Mounted Height: 15 1/2"	1487	2418	

Leg + Frame Finish	Price
Chrome .....	\$ 165
Nickel.....	\$ 223
Powder Coat - Standard.....	n/c
Powder Coat - Premium.....	\$ 165

Custom Charges	Code	Price
Powder Coat Alternative (per color) .....	OPA	call
Stain Finish Match.....	OSM	\$ 996

All prices are delivered list price effective with date printed on cover and supersedes all other published price lists. Versteel reserves the right to change prices or specifications without prior notice. Orders are accepted subject to price prevailing at time of shipment.

**versteel.com**  
Made in America  
800 876 2120