

Proudly crafted in the USA.

Seating

2025 Price List

[→ JUMP TO PRICING](#)



VERSTEEL



Catwalk is a modular soft-seating series featuring low, mid and high ledge heights that allow you to create endless configurations. Ledges may be specified in laminate, veneer or upholstery.

Features

The seat height for all catwalk units is 17 ½" tall. The unit to unit connection points for all seating models, along with same cushion dimensions, allow for easy configuration changes in the field.

Legs

Legs are 1 ¼" diameter steel tube with adjustable nylon glides.

Cat's Paw™

Every Catwalk unit is shipped with Cat's Paw linking brackets to ensure units remain connected in desired configuration. This unique design requires no tools to link units, and allows the brackets to remain on the unit when not in use.

Connector Tops

Two connector tops: rectangle and wedge may be specified to be linked to any catwalk upholstered unit. Available in laminate or veneer, these tops must be used between two units. They cannot be used at the beginning or an end of a run.

Power

If you desire USB charging the Salt unit is a perfect solution offering three different charging options. The Pepper unit is available when a power outlet is required. Additional information can be found on page 14.

Shipping Schedule

Standard Items

| | |
|---------------------|-----------|
| Fully Upholstered | 4-5 WEEKS |
| Laminate, PVC Edge | 4-5 WEEKS |
| Laminate, Wood Edge | 4-5 WEEKS |
| Veneer, Wood Edge | 6-8 WEEKS |

Contact Versteel for special lead time requests.

BIFMA

All Versteel products are constructed to pass the relevant ANSI/BIFMA standards. For more detailed specifications by series and base style, contact Versteel Customer Service at 800.876.2120.

Additional information regarding warranty, terms and conditions, shipping, care and maintenance, etc. can be found in the All Seating price list.

Standard Versteel Upholstery

Standard Versteel Upholstery offers a range of materials, from fabrics in a variety of colors and textures to vinyls for soil resistance. Please refer to Versteel's fabric cards or the "Materials + Finishes" section of our website for information.

Grade-In Upholstery

Versteel has coordinated with upholstery manufacturers to simplify your order process. Many of the manufacturers' offerings have been pre-approved for application on Versteel Seating.

Contact Versteel Customer Service with your selected fabric choice to be graded in. You will be supplied with the appropriate grade-in designator. On your purchase order, complete the information with the pattern name, color description and grade-in designator, and Versteel will take it from there.

Customer's Own Material

Customer's Own Materials (COM's) are not an issue on Catwalk. Many COM's are pre-approved for application on Versteel Seating. Call Versteel Customer Service with your COM selection to determine if it has been pre-approved. If your selection has not been pre-approved, reference the "Receiving COM Approval" section below.

Receiving COM Approval

Not all materials are suitable for upholstery on Catwalk. A 12" x 12" memo sample must be supplied for approval before a COM material is accepted for an order. If the material is directional in pattern or weave, the pattern repeat (in inches) in both directions or the weave direction must be supplied.

Excess COM

Versteel will not store excess COM for more than 30 days after the order has been completed. If excess material is to be returned after order completion, send the request to Versteel Customer Service prior to acknowledged ship date. It is the customer's responsibility to arrange for the return of the material "freight collect."

COM Requiring Application Test

If an application test is required for your selected COM, send test sample material along with the following.

1. Name and return address
2. Model selected
3. Sketch showing special requirements for the positioning of the materials' pattern on the seat and ledge, if special considerations are required.

NOTE ALL UPHOLSTERIES ARE CUT UP THE ROLL TO MAXIMIZE YIELD AND WEAR PERFORMANCE

Ship COM to:

Versteel
2332 Cathy Lane
Jasper, IN 47546

COM must be shipped to the factory with transportation costs "prepaid." If material is considered defective or unusable, it will be returned "transportation collect."

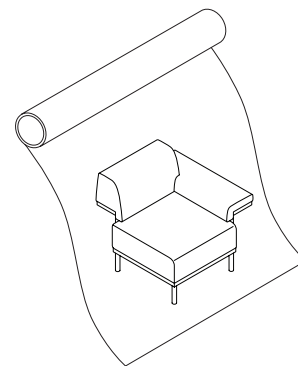
For standard lead time orders, tag fabric with purchase order number and identify with project number if possible.

Application of Directional Fabrics

Due to the upholstering process, some fabrics not considered directional by the supplier may be considered directional by Versteel.

All COM's are cut "up the roll" unless otherwise directed by the customer (see illustration below).

EXAMPLE PATTERN CUT "UP THE ROLL"



If special cutting or upholstery application is required, you must indicate requirement at time of order entry.

Catwalk COM Yardage Requirements

COM yardage requirements are calculated based on a material width of 54" and a repeat of 2" or less. For material less than 54" wide, contact Versteel for yardage requirements. Use the chart below as a guide to calculate your COM yardage. The "Same" column is for those units that are specified with the same fabric on the seat and the ledge. For quantities greater than 6, contact Versteel Customer Service for calculation of COM yardage by model.

| Quantity of Units | 1 | | 2 | | | 3 | | | 4 | | | 5 | | | 6 | | | |
|--|------|------------|------|-------|------|------|-------|------|------|-------|------|------|-------|------|------|-------|------|------|
| | Seat | Ledge Same | Seat | Ledge | Same | Seat | Ledge | Same | Seat | Ledge | Same | Seat | Ledge | Same | Seat | Ledge | Same | |
| Single | | | | | | | | | | | | | | | | | | |
| w/Ledge | 2.0 | | | 3.0 | | | 4.0 | | | 5.0 | | | 6.0 | | | 6.5 | | |
| w/Low Bumper Ledge | 2.0 | 1.0 | 2.0 | 3.0 | 1.5 | 3.5 | 4.0 | 1.5 | 5.0 | 5.0 | 1.5 | 6.0 | 6.0 | 2.0 | 7.0 | 6.5 | 2.5 | 8.0 |
| w/Low Padded Ledge | 2.0 | 1.0 | 3.0 | 3.0 | 2.0 | 5.0 | 4.0 | 2.0 | 6.0 | 5.0 | 2.5 | 7.5 | 6.0 | 3.0 | 9.0 | 6.5 | 3.5 | 10.0 |
| w/Mid Padded Ledge | 2.0 | 1.5 | 3.5 | 3.0 | 2.0 | 5.0 | 4.0 | 2.5 | 6.5 | 5.0 | 3.5 | 8.5 | 6.0 | 3.5 | 9.5 | 6.5 | 4.5 | 11.0 |
| w/High Padded Ledge | 2.0 | 1.5 | 3.5 | 3.0 | 2.5 | 5.5 | 4.0 | 3.0 | 7.0 | 5.0 | 4.0 | 9.0 | 6.0 | 4.5 | 10.5 | 6.5 | 5.5 | 12.0 |
| Corner | | | | | | | | | | | | | | | | | | |
| w/Ledge | 2.0 | | | 3.0 | | | 4.0 | | | 5.0 | | | 6.0 | | | 6.5 | | |
| w/Low Bumper Ledge | 2.0 | 1.5 | 3.5 | 3.0 | 1.5 | 4.5 | 4.0 | 2.5 | 6.5 | 5.0 | 3.0 | 8.0 | 6.0 | 3.5 | 9.5 | 6.5 | 4.0 | 10.5 |
| w/Low Padded Ledge | 2.0 | 2.0 | 4.0 | 3.0 | 3.5 | 6.5 | 4.0 | 5.0 | 9.0 | 5.0 | 6.0 | 11.0 | 6.0 | 7.5 | 13.5 | 6.5 | 9.0 | 15.5 |
| w/Mid Padded Ledge | 2.0 | 3.0 | 5.0 | 3.0 | 4.5 | 7.5 | 4.0 | 6.0 | 10.0 | 5.0 | 8.0 | 13.0 | 6.0 | 9.5 | 15.5 | 6.5 | 11.0 | 17.5 |
| w/High Padded Ledge | 2.0 | 3.5 | 5.5 | 3.0 | 5.5 | 8.5 | 4.0 | 7.5 | 11.5 | 5.0 | 9.5 | 14.5 | 6.0 | 11.5 | 17.5 | 6.5 | 13.5 | 20.0 |
| End | | | | | | | | | | | | | | | | | | |
| w/Low Pad Ledge + Mid Padded Ledge | 2.0 | 2.5 | 4.5 | 3.0 | 3.5 | 6.5 | 4.0 | 5.0 | 9.0 | 5.0 | 5.5 | 10.5 | 6.0 | 7.0 | 13.0 | 6.5 | 8.0 | 14.5 |
| w/Low Pad Ledge + High Padded Ledge | 2.0 | 2.5 | 4.5 | 3.0 | 4.0 | 7.0 | 4.0 | 5.5 | 9.5 | 5.0 | 6.5 | 11.5 | 6.0 | 8.0 | 14.0 | 6.5 | 9.5 | 16.0 |
| Split Level | | | | | | | | | | | | | | | | | | |
| w/Top | 2.0 | | | 3.0 | | | 4.0 | | | 5.0 | | | 6.0 | | | 6.5 | | |
| w/Low Padded Top | 2.0 | 2.0 | 4.0 | 3.0 | 3.5 | 6.5 | 4.0 | 4.0 | 8.0 | 5.0 | 5.5 | 10.5 | 6.0 | 5.5 | 11.5 | 6.5 | 7.5 | 14.0 |
| w/Mid Padded Top | 2.0 | 2.0 | 4.0 | 3.0 | 4.0 | 7.0 | 4.0 | 5.0 | 9.0 | 5.0 | 6.5 | 11.5 | 6.0 | 7.5 | 13.5 | 6.5 | 9.5 | 16.0 |
| Bridge Models | | | | | | | | | | | | | | | | | | |
| w/Top | 3.0 | | | 5.0 | | | 6.5 | | | 8.5 | | | 11.5 | | | 13.5 | | |
| w/Low Padded Top | 3.0 | 2.0 | 5.0 | 5.0 | 3.5 | 8.5 | 6.5 | 4.0 | 10.5 | 8.5 | 5.5 | 14.0 | 11.5 | 5.5 | 17 | 13.5 | 7.5 | 21.0 |
| w/Mid Padded Top | 3.0 | 2.0 | 5.0 | 5.0 | 4.0 | 9.0 | 6.5 | 5.0 | 14.5 | 8.5 | 6.5 | 15.0 | 11.5 | 7.5 | 19 | 13.5 | 9.5 | 23.0 |
| Ottoman | | | | | | | | | | | | | | | | | | |
| Seat Only | 2.0 | | | 3.0 | | | 4.0 | | | 5.0 | | | 6.0 | | | 6.5 | | |

Patterned COM Additional Yardage Guide

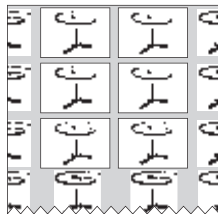
Use the guide below to aid in ordering the appropriate COM fabric when needing to match a pattern with a repeat. To use this guide, add the vertical and horizontal repeats together (e.g. a 5" vertical repeat plus an 11" horizontal repeat gives a 16" total). Then find the appropriate entry on the chart, and increase the yardage estimate by the percentage indicated.

For example: The yardage estimate is 8 yards of 54" wide fabric and the pattern has a repeat of 11" horizontal and 5" vertical. Add up the repeats (11" + 5" = 16") and find the appropriate entry - 15% in this example. Fifteen percent more fabric is required to match the pattern. 8 yards plus an extra 15% is 9.2 yards.

| Fabric Width | Plain Fabric | 3" - 14" Repeat | 15" - 19" Repeat | 20" - 27" Repeat | 28" - 36" Repeat | 37" - 45" Repeat | 46" - 54" Repeat |
|--------------|--------------|-----------------|------------------|------------------|------------------|------------------|------------------|
| 54" | 0% | 10% | 15% | 20% | 25% | 30% | 35% |
| 50" - 52" | 10% | 20% | 25% | 30% | 35% | 40% | 45% |

Decorative Patterns

Yardage requirements are greatly affected by the size of the repeat and the print or pattern of the material. Versteel cuts all seating patterns with aesthetic concerns in mind for high quality and consistency. Refer to the COM listing for the yardage required for pattern repeat.



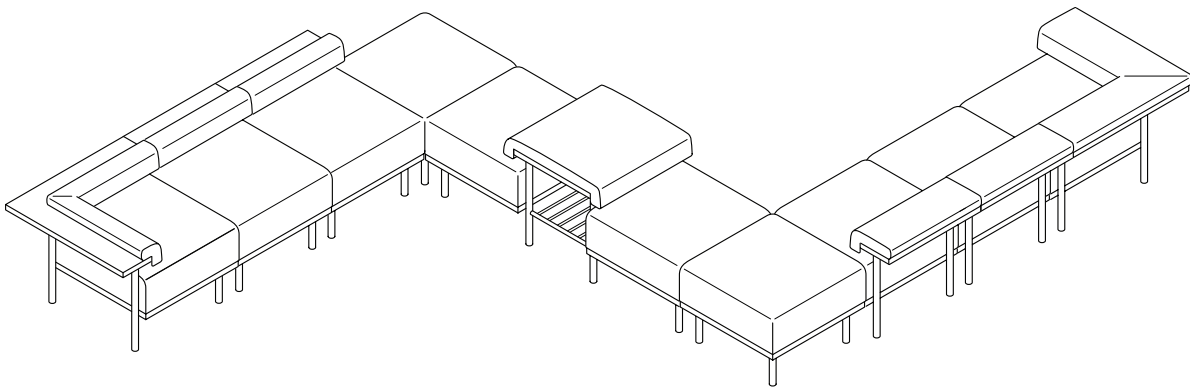
Linking Configurations

All Catwalk models can be combined to create configurations for relaxation, studying, collaboration, etc. Mix and match different ledge heights and styles along with the ottoman or one of the connector tops. When using a connector top keep in mind it must be used between non-ledge sides of two units.

Configuration Examples

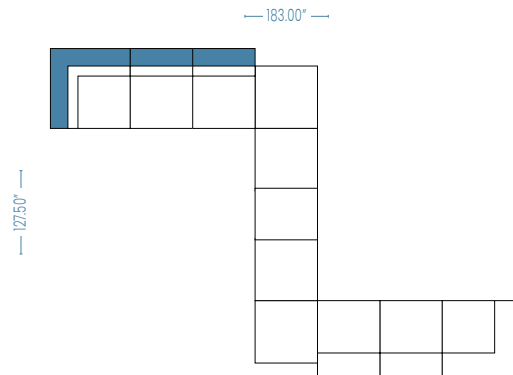
Versteel will help you with your configuration if you have concerns. Simply call Customer Service and provide the dimensions of your space and the type of configuration you desire. Like any other space planning, it is helpful to know where the power sources are, as well as windows, doors and other obstructions and proposed traffic patterns.

Shown below and on the following pages are some idea starters. Units are priced with a powder coat frame, grade 2/COM fabric, laminate ledge and PVC edge.

**Zig Zag Configuration**

- (1) CW3030 L02LP
- (2) CW2430 L02LP
- (2) CW2424
- (1) CW2466 L03P
- (2) CW2431 L03P
- (1) CW3131 L03P

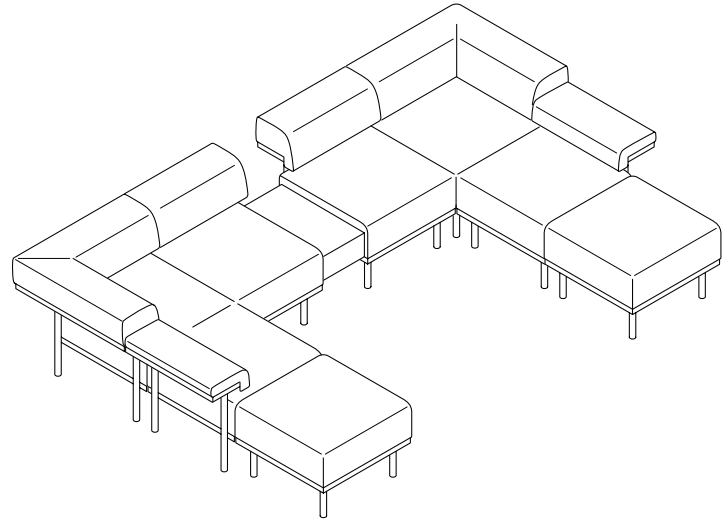
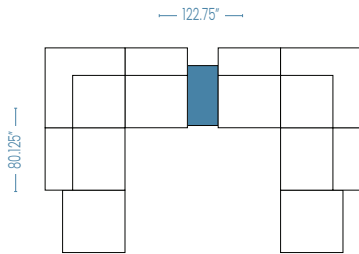
Total List: \$23,042



U Configuration

- (2) CW2424
- (2) CW2431 L03P
- (2) CW3131 M03P
- (2) CW2431 M03P
- (1) CW1223RE

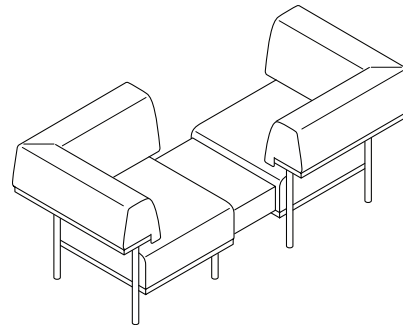
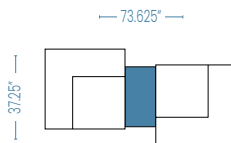
Total List: \$20,981



Conversation Configuration

- (2) CW3131 H03P
- (1) CW1223RE

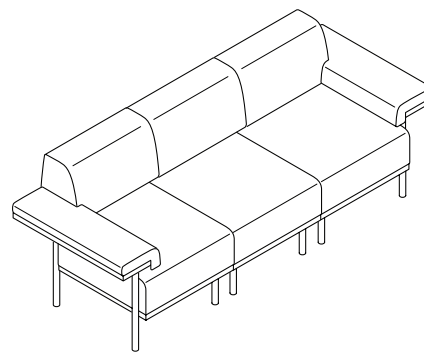
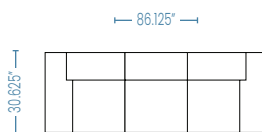
Total List: \$7,979



Sofa Configuration

- (1) CW3131 LRHB03P
- (1) CW2431 H03P
- (1) CW3131 LLHB03P

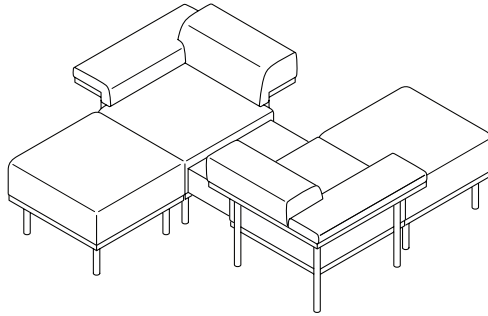
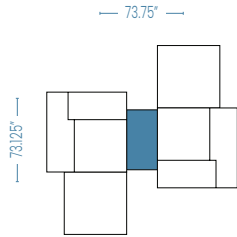
Total List: \$8,905



Chaise Configuration

- (2) CW2424
- (2) CW3131 LRMB03P
- (1) CW1223RE

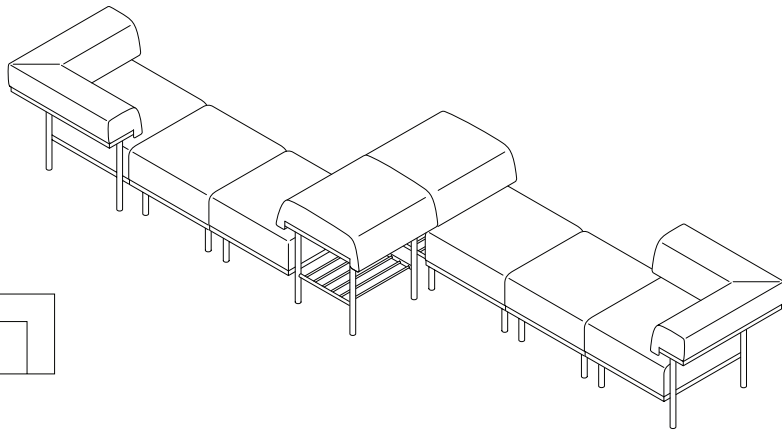
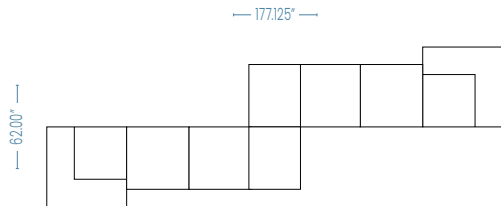
Total List: \$11,023



Offset Inline Configuration

- (2) CW3131 M03P
- (2) CW2424
- (2) CW2446 M03P

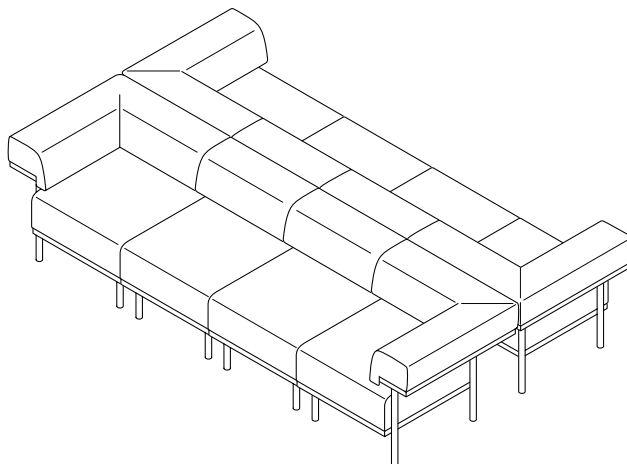
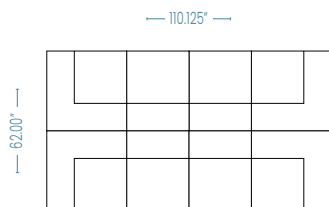
Total List: \$16,420



Back to Back Configuration

- (4) CW3131 M03P
- (4) CW2431 M03P

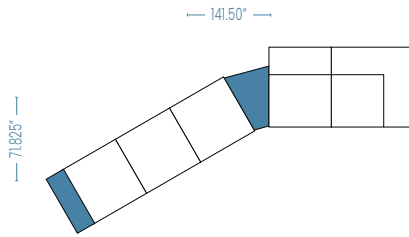
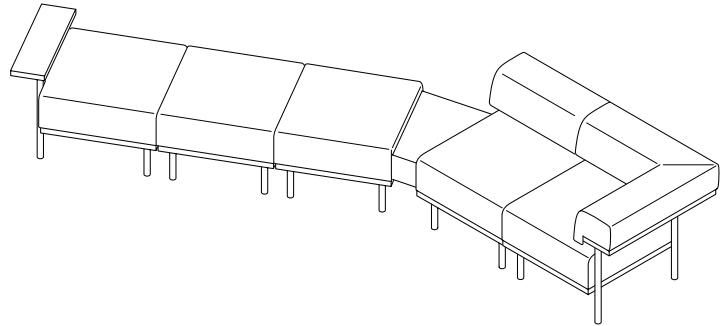
Total List: \$23,052



Angled Configuration

- (1) CW2430 L01LP
- (2) CW2424
- (1) CW30D18WG
- (1) CW2431 M03P
- (1) CW3131 M03P

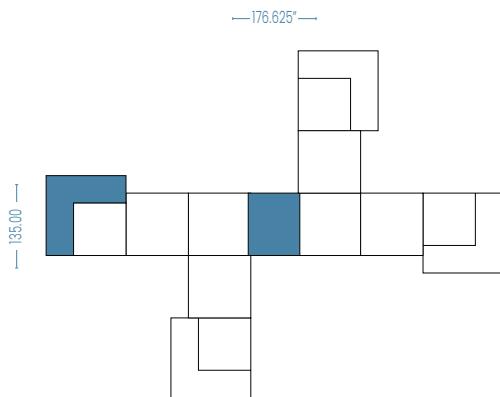
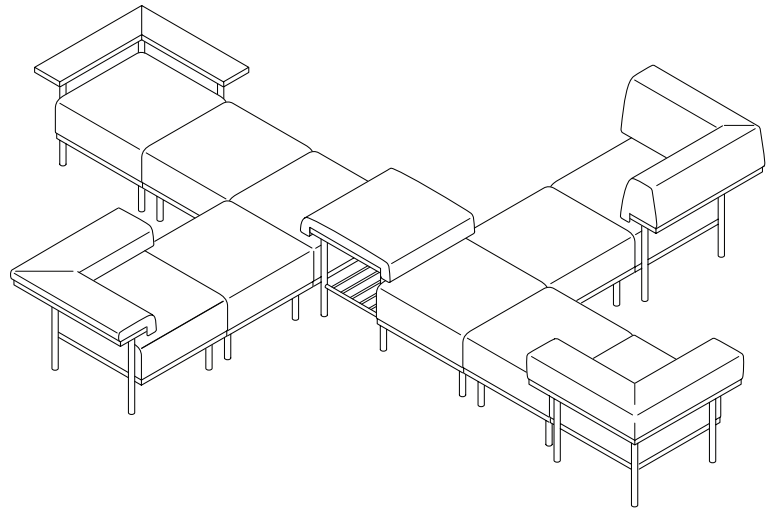
Total List: \$12,664



Pinwheel Configuration

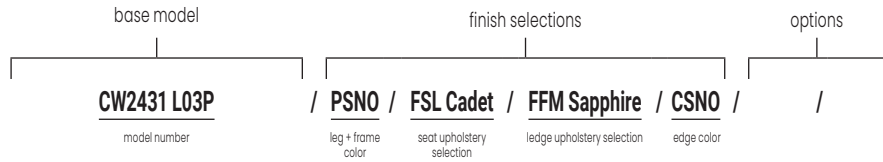
- (1) CW2466 L03P
- (4) CW2424
- (1) CW3131 L03P
- (1) CW3030 L01LP
- (1) CW3131 H03P
- (1) CW3131 M03P

Total List: \$23,076



To Order, Specify...

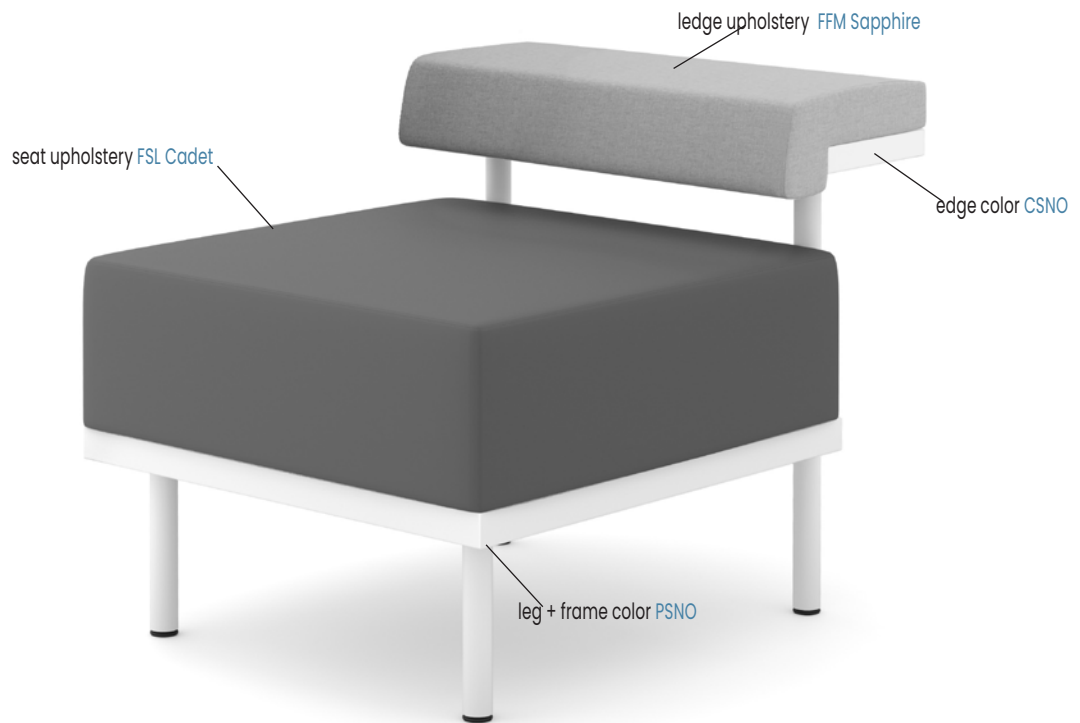
- 1 Model Number, include edge style
- 2 Leg + Frame Color
- 3 Seat Upholstery Selection
- 4 Bumper Upholstery Selection
- 5 Ledge Material
 - a. Laminate manufacturer + color
 - b. Veneer species + finish color
 - c. Upholstery Selection
- 6 Ledge Edge Color or Finish
- 7 Additional Options



A **CW2431 L03P** is a Catwalk series, single with upholstered seat and upholstered low padded ledge and flat PVC edge.

The codes **PSNO / FSL Cadet / FFM Sapphire / CSNO** specify Snow legs and frame color with Grade 3 Solitaire Cadet upholstery for the seat and a Grade 4 Faux Mo Sapphire fabric for the ledge with a Snow PVC edge.

Model Number CW2431 L03P



Orders may be sent via

Mailing Address

Versteel
2332 Cathy Lane
Jasper IN 47546

Contact Versteel

Email contact@versteel.com
Phone 800 876 2120
 812 634 2120

Powder Coat Finishes

All powder coat finishes in the Versteel offering have been formulated with the use of epoxy, polyester or epoxy and polyester blends to maximize the finish durability.

Powder Coat Finish Options

| | |
|----------------------------------|-------|
| Powder Coat – Standard | n/c |
| Powder Coat – Premium. | \$165 |

Powder Coat Colors

| | | | |
|-------------------------|-------|---------------------------|-------|
| Alloy. | .PALY | Navy | .PNAV |
| Amethyst | .PAME | Nimbus. | .PNIM |
| Anthracite. | .PANT | Nutmeg | .PNUT |
| Black Anodized. | .PBLA | Pearl | .PPEA |
| Bronze | .PBRO | Pebble | .PPEB |
| Calypso | .PCAL | Platinum | .PPLA |
| Carbon. | .PCAR | Poppy. | .PPOP |
| Champagne | .PCHA | Royal | .PROY |
| Coconut | .PCOC | Seaside | .PSEA |
| Crimson | .PCRI | Shipyard. | .PSHI |
| Daffodil. | .PDAF | Silver | .PSIL |
| Ebony. | .PEBO | Snow | .PSNO |
| Forest. | .PFOR | Stone | .PSTO |
| Fossil | .PFOS | Storm. | .PSTM |
| Graphite | .PGRA | Terra Cotta | .PTEC |
| Hope | .PHOP | Whisper | .PWHI |
| Kelly Green | .PKEG | White Linen | .PWHL |
| Mica. | .PMIC | Powder Coat Alternative . | .OPA |
| Mint | .PMNT | | |

NOTE TRANSPARENT POWDER COATS ARE NOT AVAILABLE ON CATWALK

Premium Powder Coats (indicated by P)

Versteel’s premium process uses specially formulated powder coats for a truly unique color palette.

Plated

Versteel offers two plated options: Chrome and Nickel. Chrome is our most durable finish available and is a deep luster chrome plated finish. Nickel is a plated finish with a clear coat applied for durability. An upcharge applies for plated finishes. See product pricing pages for upcharge.

| | |
|------------------|------|
| Chrome | ECHR |
| Nickel. | ENKL |

Laminate

Versteel’s standard offering of laminates includes over 900 laminates from Formica, Nevamar, Pionite and Wilsonart.

Laminate manufacturers change standard offerings frequently, making it possible a standard product can become unavailable. Versteel cannot be responsible for any inconvenience this may cause.

PVC Edge Colors

| | | | |
|---------------------------|-------|----------------------------|-------|
| Absolute Acajou | .CABA | Nimbus. | .CNIM |
| Alloy. | .CALY | Pearl | .CPEA |
| Carbon. | .CCAR | Platinum. | .CPLA |
| Champagne | .CCHA | Pralines & Cream | .CPRC |
| Coconut | .CCOC | Shadow | .CSHA |
| Ebony. | .CEBO | Snow | .CSNO |
| Florence Walnut | .CFLW | Stone | .CSTO |
| Fossil | .CFOS | Storm. | .CSTM |
| Grahitte. | .CGRA | Whisper | .CWHI |
| Grey. | .CGRE | White Linen | .CWHL |
| Kensington Maple. | .CKEM | | |

Wood Edge Species

| | | | |
|------------------|------|------------------|------|
| Ash | .A01 | Maple. | .M01 |
| Cherry | .C01 | Walnut | .W01 |

Wood Edge Finishes

| | | | |
|-------------------|-------|-------------------|-------|
| Ash | | | |
| Beach. | .WBEA | Fog | .WFOG |
| Chestnut. | .WCHE | Pebble | .WPEB |
| Drift | .WDRI | Whisper | .WWHI |
| Fawn | .WFAW | | |

Cherry

| | | | |
|---------------------------|-------|--------------------------|-------|
| Blossom Cherry | .WBLC | Java Cherry. | .WJAC |
| Cordovan Cherry | .WCNC | Millwork Cherry. | .WMWC |
| Golden Cherry | .WGNC | | |

Maple

| | | | |
|-------------------------|-------|-----------------------|-------|
| Caramel Maple | .WCMM | Sugar Maple | .WSUM |
| Solar Maple. | .WSLM | | |

Walnut

| | | | |
|---------------------------|-------|-------------------------|-------|
| Brighton Walnut | .WBRW | Natural Walnut. | .WNAW |
| Espresso Walnut. | .WESW | | |

Veneer

Catwalk ledges are available with plain sliced Ash, Cherry, Maple and Walnut veneers.

Veneer Species

| | | | |
|------------------|------|------------------|------|
| Ash | AP01 | Maple. | MP01 |
| Cherry | CP01 | Walnut | WP01 |

Veneer Finish**Ash**

| | | | |
|-------------------|------|-------------------|------|
| Beach. | VBEA | Fog | VFOG |
| Chestnut. | VCHE | Pebble | VPEB |
| Drift | VDRI | Whisper | VWHI |
| Fawn | VFAW | | |

Cherry

| | | | |
|---------------------------|------|--------------------------|------|
| Blossom Cherry | VBLC | Java Cherry. | VJAC |
| Cordovan Cherry | VCNC | Millwork Cherry. | VMWC |
| Golden Cherry | VGNC | | |

Maple

| | | | |
|-------------------------|------|-----------------------|------|
| Caramel Maple | VCMM | Sugar Maple | VSUM |
| Solar Maple. | VSLM | | |

Walnut

| | | | |
|---------------------------|------|-------------------------|------|
| Brighton Walnut | VBRW | Natural Walnut. | VNAW |
| Espresso Walnut. | VESW | | |

Finish Reference & Samples

For finish color reference, please refer to our website. Contact Versteel Customer Service to receive actual color samples for color matches and final color approval.

Powder Coat Alternative**Call for quotation**

Specify code **OPA** (Powder Coat Alternative), add cost from Versteel quotation

Powder Coat Alternative is available from Versteel. The entire RAL color reference along with hundreds of other color and finishes are available.

For Powder Coat Alternative matching, you must supply a color reference sample, or an RAL number. Versteel will review the sample for possible existing colors available and send a sample for customer approval. If no color match exists a custom match can be developed. Call Versteel Customer Service for associated upcharges on custom color development.

NOTE CUSTOM COLOR MATCHING APPROVALS MAY AFFECT STANDARD PRODUCTION SCHEDULES

Special Laminate**Call for quotation**

Specify code **TSP** (Special Laminate), indicate the quoted charges per table

Special laminates and patterns can be specified as an option on Troupe. To specify, contact Versteel for availability and pricing.

NOTE LAMINATES IN STANDARD COLORS AND TEXTURES FROM FORMICA, NEVAMAR, PIONITE AND WILSONART ARE STANDARD

CAUTION LAMINATE MANUFACTURERS CHANGE STANDARD OFFERINGS FREQUENTLY, AND IT IS POSSIBLE THAT A STANDARD PRODUCT CAN BECOME UNAVAILABLE. VERSTEEL CANNOT BE RESPONSIBLE FOR ANY INCONVENIENCE THIS MAY CAUSE.

Custom PVC Color Match**Call for quotation / one time charge per color, per order**

Specify code **OCF** (Custom PVC Color Match), add cost from Versteel quotation

PVC Color Match can be the selection of a color that is available from a Versteel supplier or a new custom color developed for the order. Minimum footage requirements mean that the amount of material needed for your order will effect the cost.

For PVC Color Matching you must supply a color reference sample. Versteel will review the sample for possible existing colors available and send a sample for customer approval. If no color match exists, a custom match will be developed and sampled for customer approval before a production schedule is established.

NOTE CUSTOM COLOR MATCHING APPROVALS MAY AFFECT STANDARD PRODUCTION SCHEDULES

Stain Finish Match**\$957 / one time charge per finish, per order**

Specify code **OSM** (Stain Finish Match), add \$957.00 list per finish, per order

Alternative Stain Finishes are available for veneer and wood edged tops.

For Stain Finish Matching you must supply two 4" x 4" finish color and grain reference samples. An expertly finish matched sample will be provided for customer approval.

NOTE CUSTOM COLOR MATCHING APPROVALS MAY AFFECT STANDARD PRODUCTION SCHEDULES

Veneer or Wood Edge Alternatives

For veneer or wood edge requirements other than our standard plain sliced Ash, Cherry, Maple or Walnut, contact Versteel Customer Service with the specifications of the materials you would like to specify.

NOTE VENEER OR WOOD EDGE ALTERNATIVES APPROVAL MAY AFFECT STANDARD PRODUCTION SCHEDULES

Wood Finish Alternatives

Versteel finish has a natural grain fill level finish appearance, contact Versteel Customer Service for alternative fill levels. Coarse grain will require additional application steps for a full-fill grain appearance and will require a quote.

NOTE WOOD FINISH ALTERNATIVE APPROVAL MAY AFFECT STANDARD PRODUCTION SCHEDULES

Salt or Pepper

Individual dual USB charger or power outlet for easy, quick access applications.

SPECIFICATIONS

- Salt or Pepper hole mount is 1 3/4" diameter
- Spill-proof power simplex
- Square grommet
- 72" long power cord

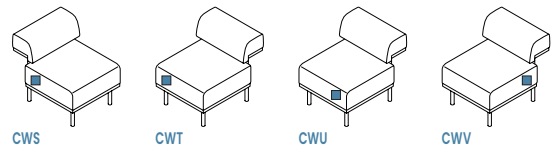
| Model | Description | |
|-------|--|------------|
| SSLT3 | One (1) single port high power USB C charger | \$435 list |
| SSLT4 | One (1) USB A + USB C Charger | \$262 list |
| SPPR | One (1) power outlet | \$115 list |

Unit Color

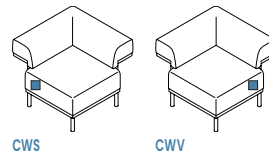
| | | |
|------|---------|-----|
| BERP | Berry | n/c |
| BLKP | Black | n/c |
| DSKP | Dusk | n/c |
| FOGP | Fog | n/c |
| HNYP | Honey | n/c |
| NVYP | Navy | n/c |
| PCKP | Peacock | n/c |
| PPYP | Poppy | n/c |
| SRMP | Storm | n/c |
| WHTP | White | n/c |

Model Example: SSLT4-BLKP

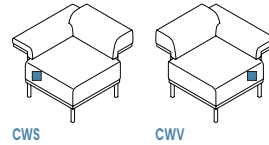
Single



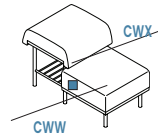
Corner



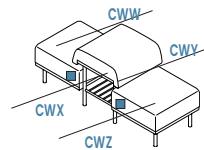
End (electrical on same side as low padded ledge only)



Split Level



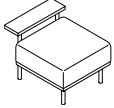
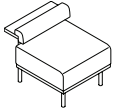
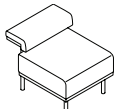
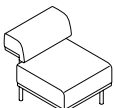
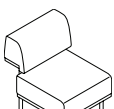
Bridge





Questions?

800 876 2120

| | | | | | material/fabric grade > | | | | |
|---|------------------------------|---------------------|---|---|-------------------------|------|------|------|------|
| | | Product Wt | Dimensions | | 2/COM | 3 | 4 | 5 | 6 |
| Description | Model# | | | | | | | | |
|  <p>Single with Ledge Seat: Upholstered</p> | | 44 | Overall Height: 22" Overall Width: 30¼" Overall Depth: 24" | Seat Height: 17½" Seat Width: 23" Seat Depth: 24" Ledge Depth: 7¼" | | | | | |
| | Ledge: Laminate/Flat PVC | CW2430 L01LP | | | 1992 | 2132 | 2412 | 2833 | 3394 |
| | Ledge: Laminate/Flat Wood | CW2430 L01LW | | | 2170 | 2310 | 2590 | 3011 | 3572 |
| | Ledge: Veneer/Flat Wood | CW2430 L01VW | | | 2527 | 2667 | 2948 | 3368 | 3930 |
|  <p>Single with Low Bumper Ledge Seat: Upholstered</p> | | 46 | Overall Height: 24¼" Overall Width: 30¼" Overall Depth: 24" | Seat Height: 17½" Seat Width: 20¾" Seat Depth: 24" Ledge Depth: 6¼" | | | | | |
| | Ledge: Laminate/Flat PVC | CW2430 L02LP | | | 2324 | 2534 | 2954 | 3585 | 4427 |
| | Ledge: Laminate/Flat Wood | CW2430 L02LW | | | 2502 | 2712 | 3132 | 3763 | 4605 |
| | Ledge: Veneer/Flat Wood | CW2430 L02VW | | | 2857 | 3067 | 3489 | 4120 | 4960 |
|  <p>Single with Low Padded Ledge Seat: Upholstered</p> | | 48 | Overall Height: 24¾" Overall Width: 30¾" Overall Depth: 24" | Seat Height: 17½" Seat Width: 20¾" Seat Depth: 24" Ledge Depth: 10½" | | | | | |
| | Ledge: Upholstered/Flat PVC | CW2431 L03P | | | 2371 | 2581 | 3001 | 3632 | 4474 |
| | Ledge: Upholstered/Flat Wood | CW2431 L03W | | | 2548 | 2759 | 3179 | 3810 | 4651 |
|  <p>Single with Mid Padded Ledge Seat: Upholstered</p> | | 53 | Overall Height: 28" Overall Width: 30¾" Overall Depth: 24" | Seat Height: 17½" Seat Width: 20¾" Seat Depth: 24" Ledge Depth: 10½" | | | | | |
| | Ledge: Upholstered/Flat PVC | CW2431 M03P | | | 2559 | 2840 | 3400 | 4242 | 5364 |
| | Ledge: Upholstered/Flat Wood | CW2431 M03W | | | 2738 | 3018 | 3579 | 4419 | 5542 |
|  <p>Single with High Padded Ledge Seat: Upholstered</p> | | 55 | Overall Height: 32" Overall Width: 30¾" Overall Depth: 24" | Seat Height: 17½" Seat Width: 20¾" Seat Depth: 24" Ledge Depth: 10¾" | | | | | |
| | Ledge: Upholstered/Flat PVC | CW2431 H03P | | | 2596 | 2876 | 3438 | 4279 | 5400 |
| | Ledge: Upholstered/Flat Wood | CW2431 H03W | | | 2774 | 3055 | 3616 | 4457 | 5578 |

To Order, Specify...

- 1 Model Number
- 2 Leg + Frame Color
- 3 Seat Upholstery Selection
- 4 Bumper Upholstery Selection
- 4 Ledge Material
 - a. Laminate Manufacturer + Color
 - b. Veneer Species + Finish Color
 - c. Upholstery Selection
- 6 Ledge Edge Color or Finish
- 7 Additional Options



| | | | | material / fabric grade > | | 2/COM | 3 | 4 | 5 | 6 |
|-------------|---|---------------------|--|--|------|-------|------|------|------|---|
| Description | Model# | Product Wt | Dimensions | | | | | | | |
| | Corner with Ledge Seat: Upholstered | 53 | Overall Height: 22" Overall Width: 30¼" Overall Depth: 30¼" | Seat Height: 17½" Seat Width: 23" Seat Depth: 23" Ledge Depth: 7¼" | | | | | | |
| | Ledge: Laminate/Flat PVC | CW3030 L01LP | | | 2183 | 2324 | 2604 | 3025 | 3585 | |
| | Ledge: Laminate/Flat Wood | CW3030 L01LW | | | 2540 | 2681 | 2961 | 3382 | 3942 | |
| | Ledge: Veneer/Flat Wood | CW3030 L01VW | | | 3254 | 3394 | 3675 | 4095 | 4656 | |
| | Corner with Low Bumper Ledge Seat: Upholstered Bumper: Upholstered | 56 | Overall Height: 24¼" Overall Width: 30¼" Overall Depth: 30¼" | Seat Height: 17½" Seat Width: 20¾" Seat Depth: 20¾" Ledge Depth: 6¼" | | | | | | |
| | Ledge: Laminate/Flat PVC | CW3030 L02LP | | | 2729 | 3010 | 3571 | 4412 | 5534 | |
| | Ledge: Laminate/Flat Wood | CW3030 L02LW | | | 3086 | 3366 | 3926 | 4768 | 5890 | |
| | Ledge: Veneer/Flat Wood | CW3030 L02VW | | | 3799 | 4079 | 4640 | 5481 | 6603 | |
| | Corner with Low Padded Ledge Seat: Upholstered | 62 | Overall Height: 24¾" Overall Width: 30¾" Overall Depth: 30¾" | Seat Height: 17½" Seat Width: 20¾" Seat Depth: 20¾" Ledge Depth: 10½" | | | | | | |
| | Ledge: Upholstered/Flat PVC | CW3131 L03P | | | 2850 | 3130 | 3691 | 4533 | 5654 | |
| | Ledge: Upholstered/Flat Wood | CW3131 L03W | | | 3207 | 3488 | 4048 | 4890 | 6012 | |
| | | | | | | | | | | |
| | Corner with Mid Padded Ledge Seat: Upholstered | 72 | Overall Height: 28" Overall Width: 30¾" Overall Depth: 30¾" | Seat Height: 17½" Seat Width: 20¾" Seat Depth: 20¾" Ledge Depth: 10½" | | | | | | |
| | Ledge: Upholstered/Flat PVC | CW3131 M03P | | | 3204 | 3554 | 4255 | 5307 | 6708 | |
| | Ledge: Upholstered/Flat Wood | CW3131 M03W | | | 3595 | 3910 | 4612 | 5663 | 7065 | |
| | | | | | | | | | | |
| | Corner with High Padded Ledge Seat: Upholstered | 80 | Overall Height: 32" Overall Width: 30¾" Overall Depth: 30¾" | Seat Height: 17½" Seat Width: 20¾" Seat Depth: 20¾" Ledge Depth: 10¾" | | | | | | |
| | Ledge: Upholstered/Flat PVC | CW3131 H03P | | | 3344 | 3764 | 4606 | 5868 | 7550 | |
| | Ledge: Upholstered/Flat Wood | CW3131 H03W | | | 3700 | 4121 | 4962 | 6224 | 7907 | |
| | | | | | | | | | | |

| Leg + Frame Options | Price |
|-----------------------------|--------|
| Chrome | \$ 165 |
| Nickel..... | \$ 223 |
| Powder Coat - Standard..... | n/c |
| Powder Coat - Premium..... | \$ 165 |

Power + Charging Options
See page 20 for power and charging options.

| Custom Charges | Code | Price |
|---|------|--------|
| Powder Coat Alternative (per color) | OPA | call |
| Stain Finish Match..... | OSM | \$ 996 |

Catwalk

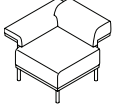
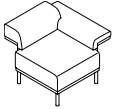
End
Mid Padded Ledge - Back



VERSTEEL

Questions?

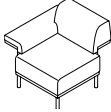
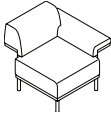
800 876 2120

| | | | | | material/fabric grade > | | | | |
|---|------------------------------|------------------------|--|--|-------------------------|------|------|------|------|
| | | | | | 2/COM | 3 | 4 | 5 | 6 |
| Description | Model# | Product Wt | Dimensions | | | | | | |
|  <p>End Unit with Padded Ledge Low Padded Ledge: Right Mid Padded Ledge: Back Seat: Upholstered</p> | | 66 | Overall Height: 28" Overall Width: 30% Overall Depth: 30% Seat Height: 17½" | Seat Width: 20% Seat Depth: 20% Low Ledge DPTH: 10½" Mid Ledge DPTH: 10½" | | | | | |
| | Ledge: Upholstered/Flat PVC | CW3131 LRMB03P | | | 3155 | 3505 | 4206 | 5258 | 6660 |
| | Ledge: Upholstered/Flat Wood | CW3131 LRMB03W | | | 3510 | 3861 | 4562 | 5614 | 7016 |
|  <p>End Unit with Padded Ledge Low Padded Ledge: Left Mid Padded Ledge: Back Seat: Upholstered</p> | | 66 | Overall Height: 28" Overall Width: 30% Overall Depth: 30% Seat Height: 17½" | Seat Width: 20% Seat Depth: 20% Low Ledge DPTH: 10½" Mid Ledge DPTH: 10½" | | | | | |
| | Ledge: Upholstered/Flat PVC | CW3131 LLMB03P | | | 3155 | 3505 | 4206 | 5258 | 6660 |
| | Ledge: Upholstered/Flat Wood | CW 3131 LLMB03W | | | 3510 | 3861 | 4562 | 5614 | 7016 |

To Order, Specify...

- ① Model Number
- ② Leg + Frame Color
- ③ Seat Upholstery Selection
- ④ Ledge Upholstery Selection
- ⑤ Ledge Edge Color or Finish
- ⑥ Additional Options

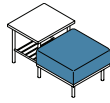


| | | | | material / fabric grade > | | 2/COM | 3 | 4 | 5 | 6 |
|---|--|-----------------------|---|--|------|-------|------|------|------|---|
| Description | Model# | Product Wt | Dimensions | | | | | | | |
|  | End Unit with Padded Ledge Low Padded Ledge: Right High Padded Ledge: Back Seat: Upholstered | 69 | Overall Height: 32" Overall Width: 30 3/4" Overall Depth: 30 3/4" Seat Height: 17 1/2" | Seat Width: 20 3/4" Seat Depth: 20 3/4" Low Ledge DPTH: 10 1/2" Mid Ledge DPTH: 10 3/4" | | | | | | |
| | Ledge: Upholstered/Flat PVC | CW3131 LRHB03P | | | 3155 | 3505 | 4206 | 5258 | 6660 | |
| | Ledge: Upholstered/Flat Wood | CW3131 LRHB03W | | | 3510 | 3861 | 4562 | 5614 | 7016 | |
|  | End Unit with Padded Ledge Low Padded Ledge: Left High Padded Ledge: Back Seat: Upholstered | 69 | Overall Height: 32" Overall Width: 30 3/4" Overall Depth: 30 3/4" Seat Height: 17 1/2" | Seat Width: 20 3/4" Seat Depth: 20 3/4" Low Ledge DPTH: 10 1/2" Mid Ledge DPTH: 10 3/4" | | | | | | |
| | Ledge: Upholstered/Flat PVC | CW3131 LLHB03P | | | 3155 | 3505 | 4206 | 5258 | 6660 | |
| | Ledge: Upholstered/Flat Wood | CW3131 LLHB03W | | | 3510 | 3861 | 4562 | 5614 | 7016 | |

| Leg + Frame Options | Price |
|-----------------------------|--------|
| Chrome | \$ 165 |
| Nickel..... | \$ 223 |
| Powder Coat - Standard..... | n/c |
| Powder Coat - Premium..... | \$ 165 |

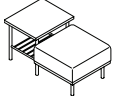
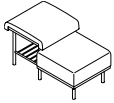
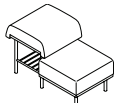
Power + Charging Options
See page 20 for power and charging options.

| Custom Charges | Code | Price |
|---|------|--------|
| Powder Coat Alternative (per color) | OPA | call |
| Stain Finish Match..... | OSM | \$ 996 |



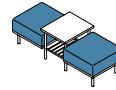
Questions?

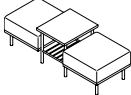
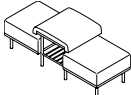
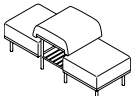
800 876 2120

| | | | | material/fabric grade > | | 2/COM | 3 | 4 | 5 | 6 |
|--|----------------------------|---------------------|---|--|------|-------|------|------|------|---|
| Description | Model# | Product Wt | Dimensions | | | | | | | |
|  <p>Single with Top Seat: Upholstered</p> | | 65 | Overall Height: 22" Overall Width: 43" Overall Depth: 24" | Seat Height: 17½" Seat Width: 23" Seat Depth: 24" Top Size: 20" x 24" | | | | | | |
| | Top: Laminate/Flat PVC | CW2443 L01LP | | | 2634 | 2774 | 3055 | 3475 | 4036 | |
| | Top: Laminate/Flat Wood | CW2443 L01LW | | | 2890 | 3030 | 3311 | 3731 | 4292 | |
| | Top: Veneer/Flat Wood | CW2443 L01VW | | | 3400 | 3541 | 3821 | 4242 | 4803 | |
|  <p>Single with Low Padded Top Seat: Upholstered</p> | | 77 | Overall Height: 24⅞" Overall Width: 45⅝" Overall Depth: 24" | Seat Height: 17½" Seat Width: 20⅝" Seat Depth: 24" Top Size: 25¼" x 24" | | | | | | |
| | Top: Upholstered/Flat PVC | CW2446 L03P | | | 3111 | 3392 | 3952 | 4794 | 5916 | |
| | Top: Upholstered/Flat Wood | CW2446 L03W | | | 3366 | 3647 | 4207 | 5049 | 6171 | |
|  <p>Single with Mid Padded Top Seat: Upholstered</p> | | 48 | Overall Height: 28½" Overall Width: 45⅝" Overall Depth: 24" | Seat Height: 17½" Seat Width: 20⅝" Seat Depth: 24" Top Size: 25¼" x 24" | | | | | | |
| | Top: Upholstered/Flat PVC | CW2446 M03P | | | 3295 | 3575 | 4137 | 4978 | 6099 | |
| | Top: Upholstered/Flat Wood | CW2446 M03W | | | 3551 | 3831 | 4392 | 5234 | 6355 | |

To Order, Specify...

- 1 Model Number
- 2 Leg + Frame Color
- 3 Seat Upholstery Selection
- 4 Top Material
 - a. Laminate Manufacturer + Color
 - b. Veneer Species + Finish Color
 - c. Upholstery Selection
- 5 Top Edge Color or Finish
- 6 Additional Options



| | | | | material / fabric grade > | | 2/COM | 3 | 4 | 5 | 6 |
|--|----------------------------|---------------------|--|--|------|-------|-------|------|------|---|
| Description | Model# | Product Wt | Dimensions | | | | | | | |
|  <p>Two Singles with Top Seats: Upholstered</p> | | 93 | Overall Height: 22" Overall Width: 66" Overall Depth: 24" | Seat Height: 17½" Seat Width: 23" Seat Depth: 24" Top Size: 20" x 24" | | | | | | |
| | Top: Laminate/Flat PVC | CW2466 L01LP | | | 4175 | 4385 | 4806 | 5437 | 6278 | |
| | Top: Laminate/Flat Wood | CW2466 L01LW | | | 4430 | 4640 | 5061 | 5691 | 6533 | |
| | Top: Veneer/Flat Wood | CW2466 L01VW | | | 4942 | 5153 | 55743 | 6204 | 7045 | |
|  <p>Two Singles with Low Padded Top Seats: Upholstered</p> | | 105 | Overall Height: 24⅞" Overall Width: 66" Overall Depth: 24" | Seat Height: 17½" Seat Width: 20⅞" Seat Depth: 24" Top Size: 25¼" x 24" | | | | | | |
| | Top: Upholstered/Flat PVC | CW2466 L03P | | | 4651 | 5002 | 5703 | 6754 | 8157 | |
| | Top: Upholstered/Flat Wood | CW2466 L03W | | | 4907 | 5258 | 5959 | 7010 | 8143 | |
|  <p>Two Singles with Mid Padded Top Seats: Upholstered</p> | | 120 | Overall Height: 28½" Overall Width: 66" Overall Depth: 24" | Seat Height: 17½" Seat Width: 20⅞" Seat Depth: 24" Top Size: 25½" x 24" | | | | | | |
| | Top: Upholstered/Flat PVC | CW2466 M03P | | | 4836 | 5187 | 5888 | 6939 | 8341 | |
| | Top: Upholstered/Flat Wood | CW2466 M03W | | | 5092 | 5443 | 6144 | 7195 | 8597 | |

Leg + Frame Options

| | |
|-----------------------------|--------|
| Chrome | \$ 165 |
| Nickel..... | \$ 223 |
| Powder Coat - Standard..... | n/c |
| Powder Coat - Premium..... | \$ 165 |

Power + Charging Options

See page 20 for power and charging options.

Custom Charges

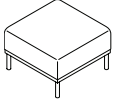
| | | |
|---|-----|--------|
| Powder Coat Alternative (per color) | OPA | call |
| Stain Finish Match..... | OSM | \$ 996 |



Questions?

800 876 2120

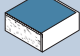
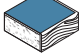
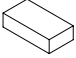
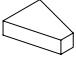
material/fabric grade >

| | | | | | 2/COM | 3 | 4 | 5 | 6 |
|---|-------------------------------------|---------------|------------|--|-------|------|------|------|------|
| Description | | Model# | Product Wt | Dimensions | | | | | |
|  | Ottoman Seat: Upholstered | CW2424 | 35 | Overall Height: 17½" Overall Width: 24" Overall Depth: 24" | 1711 | 1852 | 2132 | 2553 | 3113 |

To Order, Specify...

- 1 Model Number
- 2 Leg + Frame Color
- 3 Seat Upholstery Selection
- 4 Top Material
 - a. Laminate Manufacturer + Color
 - b. Veneer Species + Finish Color
- 5 Additional Options



| | | | | | top > edge > | Laminate Self Edge | Veneer Self Edge |
|---|-----------------------------------|-----------|---------------|---|---|---|---------------------|
| | | | | | LL9 | VV9 | |
| | | | | |  |  | |
| | Description | Model# | Product Wt | Dimensions | | | |
|  | Connector Top Rectangle | CW1223RE | 19 | Width: 12" Depth: 23" Height: 6" Mounted Height: 15 1/2" | 1291 | 2245 | |
|  | Connector Top 30° Wedge | CW30D18WG | 19 | Width: 17 7/8" Depth: 22 1/4" Height: 6" Mounted Height: 15 1/2" | 1487 | 2418 | |

| Leg + Frame Finish | Price |
|-----------------------------|--------|
| Chrome | \$ 165 |
| Nickel..... | \$ 223 |
| Powder Coat - Standard..... | n/c |
| Powder Coat - Premium..... | \$ 165 |

| Custom Charges | Code | Price |
|---|------|--------|
| Powder Coat Alternative (per color) | OPA | call |
| Stain Finish Match..... | OSM | \$ 996 |

All prices are delivered list price effective with date printed on cover and supersedes all other published price lists. Versteel reserves the right to change prices or specifications without prior notice. Orders are accepted subject to price prevailing at time of shipment.

versteel.com
Made in America
800 876 2120