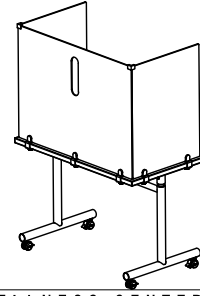


Versteel

Thank you for your purchase. We hope you have many great years of use from the Sky Wellness Center and all our products. If you have any questions which are not covered by these instructions, please contact customer service at 800.827.2120 or customerservice@versteel.com

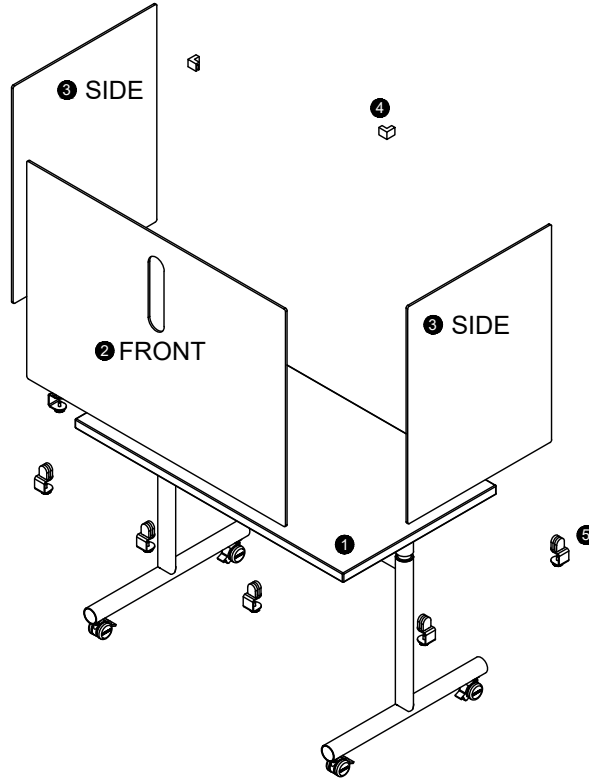


DOCUMENT CONTAINS 3 PAGES

ASSEMBLY INSTRUCTIONS: SKY WELLNESS CENTER  
COMPONENT ASSEMBLY

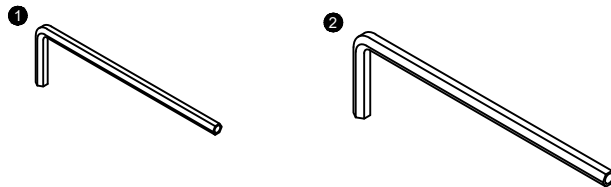
COMPONENTS:

- 1 SKY TABLE
- 2 FRONT SHIELD
- 3 SIDE SHIELDS
- 4 CORNER CLAMPS
- 5 TABLE CLAMPS



TOOLS REQUIRED:


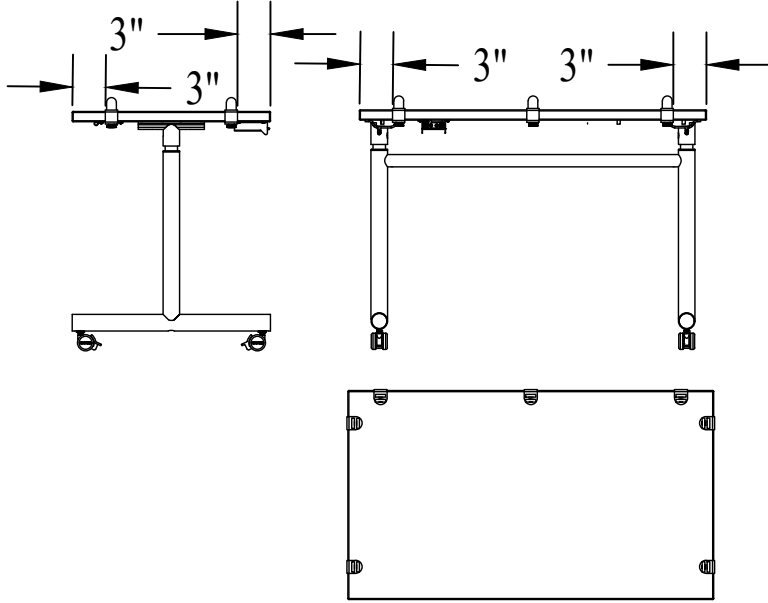
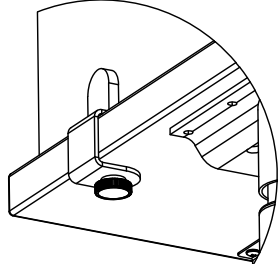
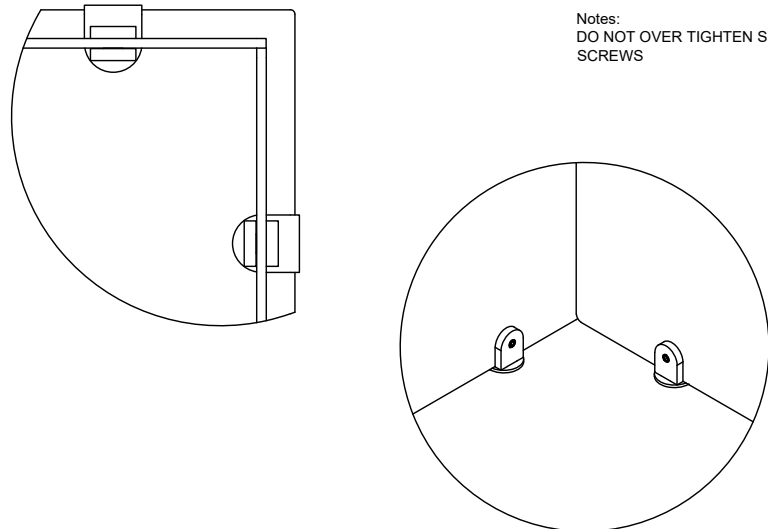
- 1 5/64" ALLEN WRENCH
- 2 3/16 " ALLEN WRENCH



**VERSTEEL**

270.INS.SWC  
9/23/2020

2332 Cathy Lane  
Jasper Indiana 47546  
800 876 2120  
Versteel.com

 PAGE 2 OF 3	ASSEMBLY INSTRUCTIONS: SKY WELLNESS CENTER COMPONENT ASSEMBLY
<p><b>STEP ONE</b>            SLIDE TWO OF THE TABLE CLAMPS ONTO THE SIDE EDGES OF THE TABLE. ALIGN THE OUTSIDE EDGE OF THE CLAMPS 3" AWAY FROM THE EDGE OF THE TABLE.</p> <p>PLACE THREE CLAMPS ON THE FRONT EDGE OF THE TABLE.</p> <p>POSITION TWO CLAMPS 4" AWAY FROM THE EDGE OF THE TABLE, AND THE REMAINING CLAMP IN THE CENTER OF THE TABLE.</p>	
<p><b>STEP TWO</b>            TIGHTEN THE HANDSCREWS TO SECURE THE CLAMPS TO THE TABLE.</p>	
<p><b>STEP THREE</b>            CAREFULLY SLIDE THE ACRYLIC PANELS BETWEEN THE CLAMPS.</p> <p>CHECK THAT THE PANELS ARE ALIGNED ACCORDING TO THE IMAGE.</p> <p>USING THE 3/16" ALLEN WRENCH, TIGHTEN THE SET SCREWS UNTIL THEY MAKE CONTACT WITH THE ACRYLIC.</p> <p><b>DO NOT OVERTIGHTEN</b></p>	 <p>Notes:            DO NOT OVER TIGHTEN SET SCREWS</p>



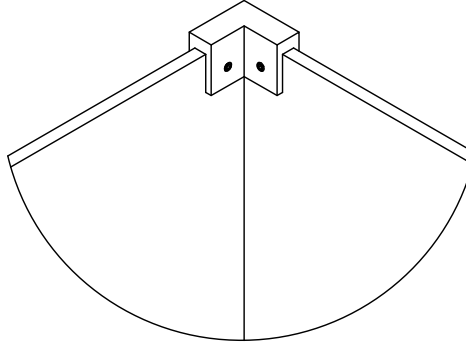
ASSEMBLY INSTRUCTIONS: SKY WELLNESS CENTER  
COMPONENT ASSEMBLY

**STEP FOUR**

PLACE THE CORNER CAPS ON TOP OF THE ACRYLIC AND TIGHTEN THE SET SCREWS WITH THE 5/64" ALLEN WRENCH UNTIL THEY MAKE CONTACT WITH THE ACRYLIC.

**DO NOT OVERTIGHTEN**

Notes:  
DO NOT OVER TIGHTEN SET SCREWS



**STEP FOUR**

THE WELLNESS CENTER ATTACHMENT CAN BE REMOVED FROM THE SKY TABLE BY DOING THE REVERSE OF THE ASSEMBLY PROCEDURE.

IF THE WELLNESS CENTER IS REMOVED, 20-30LBS SHOULD BE PLACED ON THE TABLE IN ORDER TO COUNTERBALANCE THE HEIGHT ASSIST FUNCTION.

Notes:  
IF THE TABLE IS USED WITHOUT THE WELLNESS CENTER ATTACHMENT, 20-30LBS OF COUNTERWEIGHT SHOULD BE PLACED ON TOP

