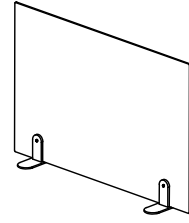


Versteel

Thank you for your purchase. We hope you have many great years of use from the Freestanding Privacy Panel and all our products. If you have any questions which are not covered by these instructions, please contact customer service at 800.827.2120 or customerservice@versteel.com



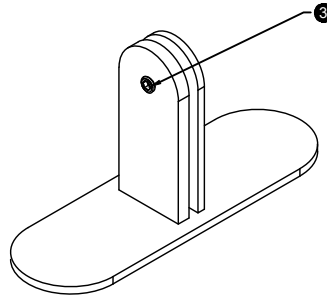
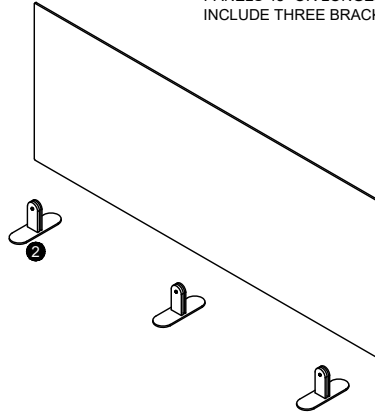
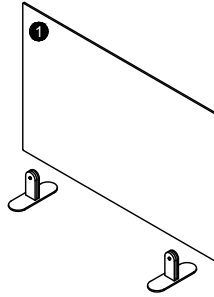
DOCUMENT CONTAINS 2 PAGES

ASSEMBLY INSTRUCTIONS: FREESTANDING PRIVACY PANEL COMPONENT ASSEMBLY

COMPONENTS:

- 1 ACRYLIC PANEL
- 2 MOUNT BRACKET
- 3 SET SCREW

Notes:
PANELS 48" OR LONGER WILL
INCLUDE THREE BRACKETS



TOOLS REQUIRED:

- 1 3/16" ALLEN WRENCH



VERSTEEL

270.INS.SFPP
9/18/2020

2332 Cathy Lane
Jasper Indiana 47546
800 876 2120
Versteel.com



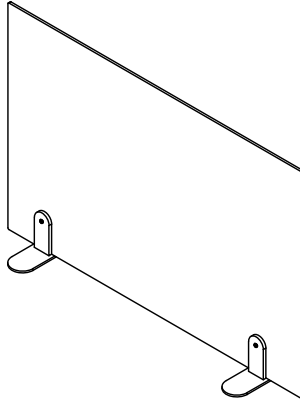
ASSEMBLY INSTRUCTIONS: FREESTANDING PRIVACY PANEL COMPONENT ASSEMBLY

STEP ONE

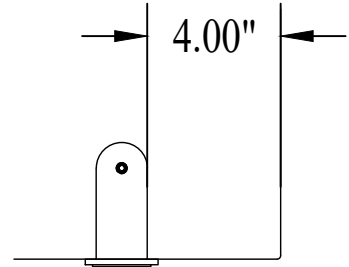
PLACE THE BRACKETS ON TOP OF A SURFACE, FLAT SIDE DOWN. SLIDE THE ACRYLIC PANEL INTO THEM.

POSITION THE BRACKETS 4" FROM THE OUTSIDE OF THE PANEL

IF YOUR PANEL INCLUDES THREE BRACKETS, PLACE ONE OF THEM IN THE CENTER OF THE PANEL



Notes:
PLACE THE OUTER EDGE OF THE BRACKET 4" FROM THE EDGE OF THE PANEL



STEP TWO

WITH THE BRACKETS SPACED EVENLY, TIGHTEN THE SET SCREWS UNTIL THEY MAKE CONTACT WITH THE ACRYLIC PANEL

DO NOT OVER TIGHTEN

Notes:
DO NOT OVER TIGHTEN THE SET SCREWS

