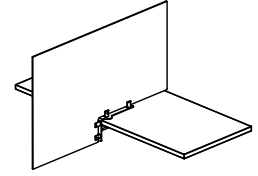

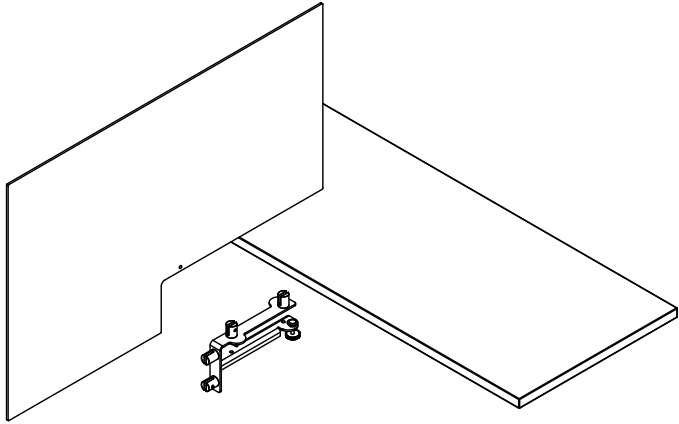



Versteel

Thank you for your purchase. We hope you have many great years of use from The Removable Personal Panel and all our products. If you have any questions which are not covered by these instructions, please contact customer service at 800.827.2120 or customerservice@versteel.com



 DOCUMENT CONTAINS 3 PAGES	ASSEMBLY INSTRUCTIONS: REMOVABLE PERSONAL PANEL COMPONENT ASSEMBLY
<p>COMPONENTS:</p> <ul style="list-style-type: none">❶ TOP❷ MOUNTING CLAMP❸ ACRYLIC PANEL	
<p>TOOLS REQUIRED:</p> <ul style="list-style-type: none">❶ 3/16" ALLEN WRENCH	

VERSTEEL

270.INS.RPP
9/23/2020

2332 Cathy Lane
Jasper Indiana 47546
800 876 2120
Versteel.com

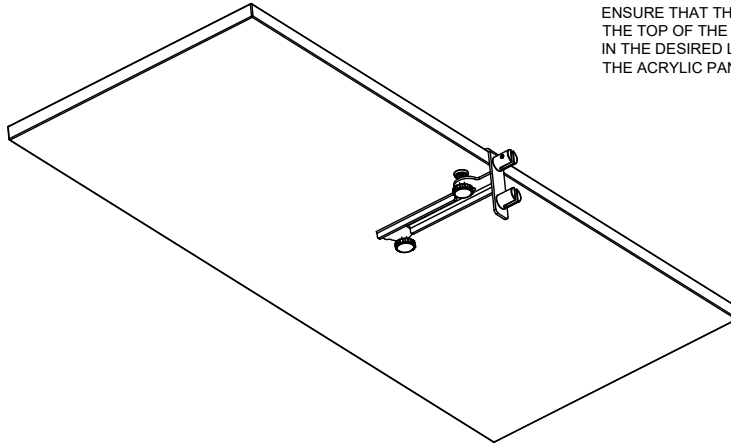


ASSEMBLY INSTRUCTIONS: REMOVABLE PERSONAL PANEL COMPONENT ASSEMBLY

STEP ONE

LOOKING UNDERNEATH YOUR TABLE TOP, FIND A CLEAR LOCATION TO PLACE THE CLAMP

USING THE HANDWHEELS, CLAMP THE ASSEMBLY TO THE TABLE TOP. TIGHTEN THE HANDWHEEL CLOSEST TO THE EDGE OF THE TABLE FIRST, THEN THE INNERMOST HANDWHEEL.

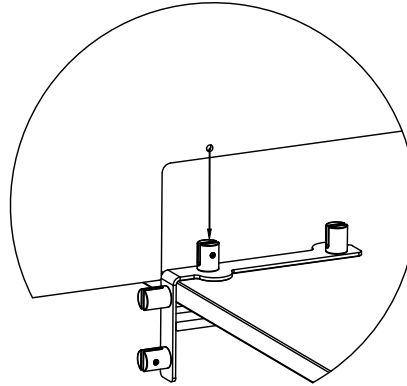


Notes:
ENSURE THAT THE SLOTS ON THE TOP OF THE CLAMP ARE IN THE DESIRED LOCATION OF THE ACRYLIC PANEL

STEP TWO

WITH THE HELP OF A SECOND PERSON, LINE UP THE PANEL IN THE MOUNTING SLOTS.

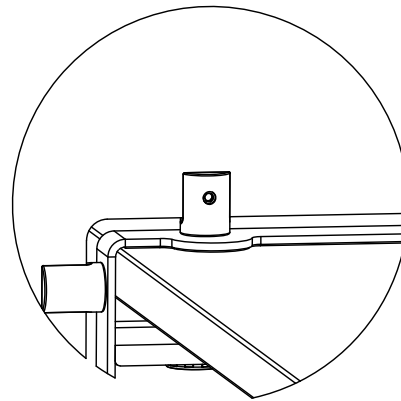
THE HOLE IN THE PANEL MUST LINE UP WITH THE SETSCREW IN THE TOP MOUNT, CLOSEST TO THE EDGE.



Notes:
HOLE IN PANEL MUST LINE UP WITH SET SCREW

STEP THREE

USING THE ALLEN WRENCH, TIGHTEN THE SETSCREW THAT IS LINED UP WITH THE HOLE IN THE PANEL.



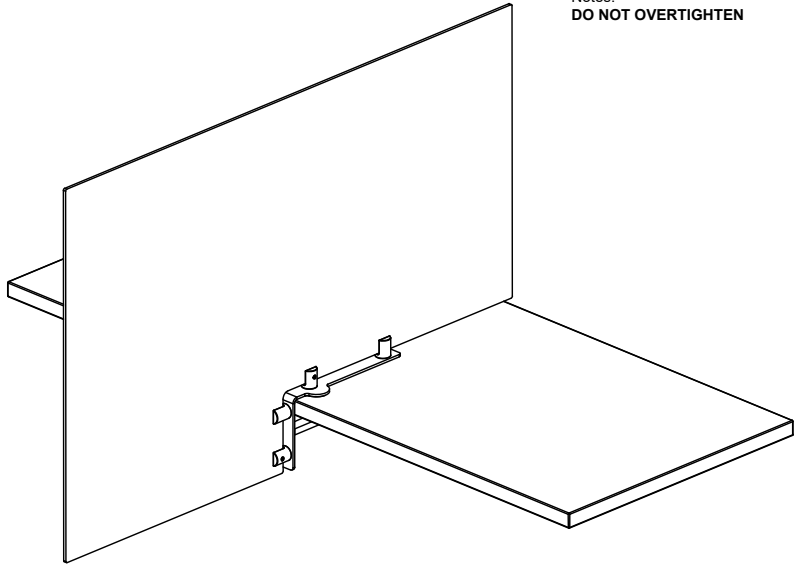


ASSEMBLY INSTRUCTIONS: REMOVABLE PERSONAL PANEL COMPONENT ASSEMBLY

STEP FOUR

TIGHTEN THE REMAINING SETSCREWS UNTIL THEY MAKE CONTACT WITH THE ACRYLIC. **DO NOT OVER TIGHTEN.**

Notes:
DO NOT OVERTIGHTEN



STEP FIVE

PEEL PROTECTIVE LAYER OFF OF BOTH SIDES OF THE ACRYLIC PANEL. DO NOT USE A KNIFE OR SHARP OBJECT TO PEEL PROTECTIVE FILM.

