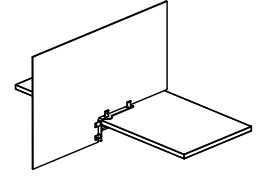

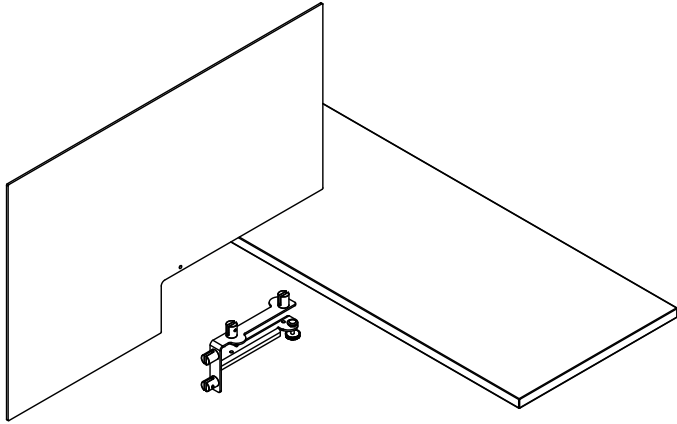



Versteel

Thank you for your purchase. We hope you have many great years of use from The Removable Personal Panel and all our products. If you have any questions which are not covered by these instructions, please contact customer service at 800.827.2120 or [customerservice@versteel.com](mailto:customerservice@versteel.com)



 DOCUMENT CONTAINS 3 PAGES	ASSEMBLY INSTRUCTIONS: REMOVABLE PERSONAL PANEL COMPONENT ASSEMBLY
<p><b>COMPONENTS:</b></p> <ul style="list-style-type: none"><li>❶ TOP</li><li>❷ MOUNTING CLAMP</li><li>❸ ACRYLIC PANEL</li></ul>	 A line drawing showing the assembly of the Removable Personal Panel component. It illustrates the top panel being attached to the mounting clamp. The top panel is shown as a rectangular acrylic panel, and the mounting clamp is shown as a metal bracket with two screws. The top panel is being positioned to fit into the clamp's opening.
<p><b>TOOLS REQUIRED:</b></p> <ul style="list-style-type: none"><li>❶ 3/16" ALLEN WRENCH</li></ul>	 A line drawing of a 3/16 inch Allen wrench, showing the L-shaped handle and the hexagonal end.

**VERSTEEL**

270.INS.RPP  
9/23/2020

2332 Cathy Lane  
Jasper Indiana 47546  
800 876 2120  
[Versteel.com](http://Versteel.com)

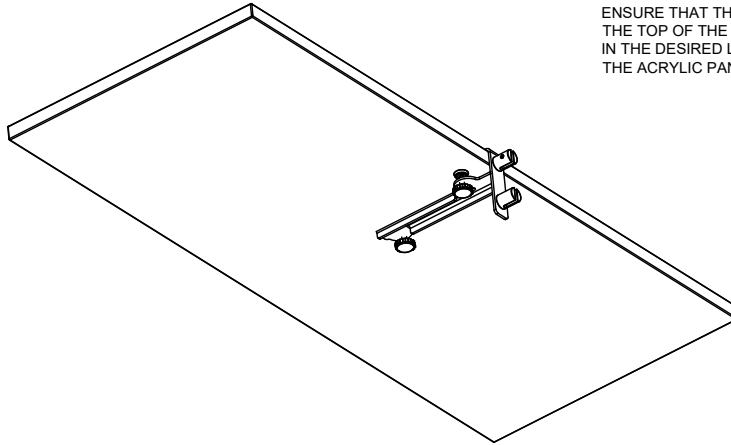


**ASSEMBLY INSTRUCTIONS: REMOVABLE PERSONAL PANEL COMPONENT ASSEMBLY**

**STEP ONE**

LOOKING UNDERNEATH YOUR TABLE TOP, FIND A CLEAR LOCATION TO PLACE THE CLAMP

USING THE HANDWHEELS, CLAMP THE ASSEMBLY TO THE TABLE TOP. TIGHTEN THE HANDWHEEL CLOSEST TO THE EDGE OF THE TABLE FIRST, THEN THE INNERMOST HANDWHEEL.

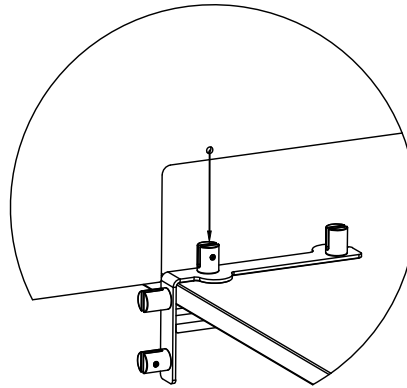


Notes:  
ENSURE THAT THE SLOTS ON THE TOP OF THE CLAMP ARE IN THE DESIRED LOCATION OF THE ACRYLIC PANEL

**STEP TWO**

WITH THE HELP OF A SECOND PERSON, LINE UP THE PANEL IN THE MOUNTING SLOTS.

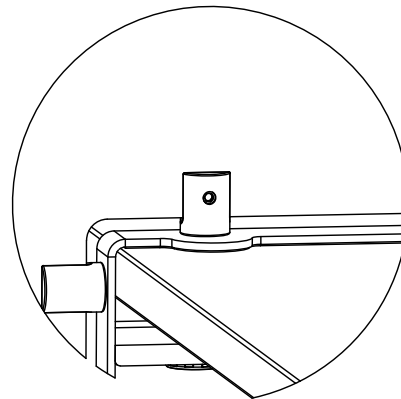
THE HOLE IN THE PANEL MUST LINE UP WITH THE SETSCREW IN THE TOP MOUNT, CLOSEST TO THE EDGE.



Notes:  
HOLE IN PANEL MUST LINE UP WITH SET SCREW

**STEP THREE**

USING THE ALLEN WRENCH, TIGHTEN THE SETSCREW THAT IS LINED UP WITH THE HOLE IN THE PANEL.



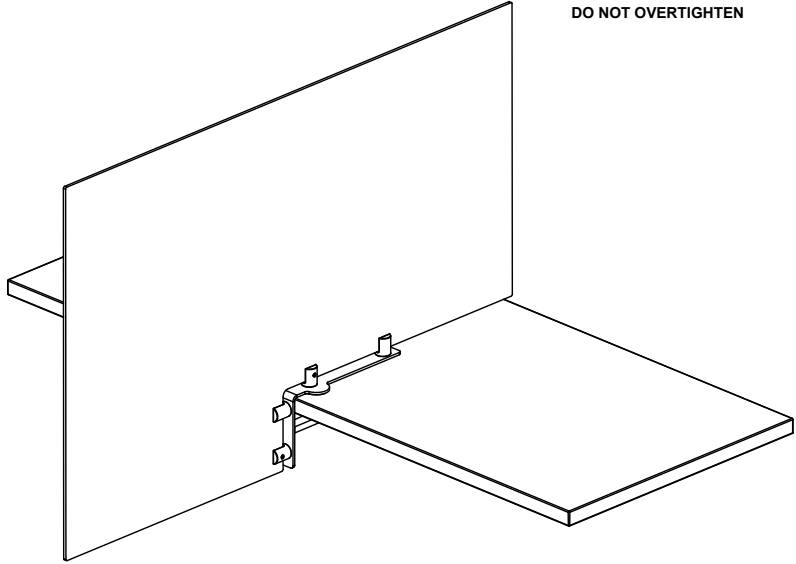


ASSEMBLY INSTRUCTIONS: REMOVABLE PERSONAL PANEL COMPONENT ASSEMBLY

**STEP FOUR**

TIGHTEN THE REMAINING SETSCREWS UNTIL THEY MAKE CONTACT WITH THE ACRYLIC. DO NOT OVER TIGHTEN.

Notes:  
**DO NOT OVERTIGHTEN**



**STEP FIVE**

PEEL PROTECTIVE LAYER OFF OF BOTH SIDES OF THE ACRYLIC PANEL. DO NOT USE A KNIFE OR SHARP OBJECT TO PEEL PROTECTIVE FILM.

