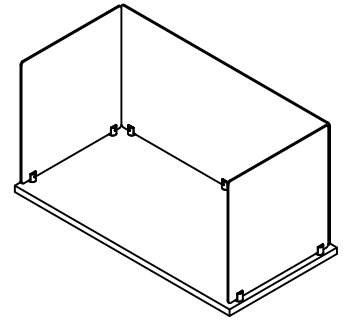


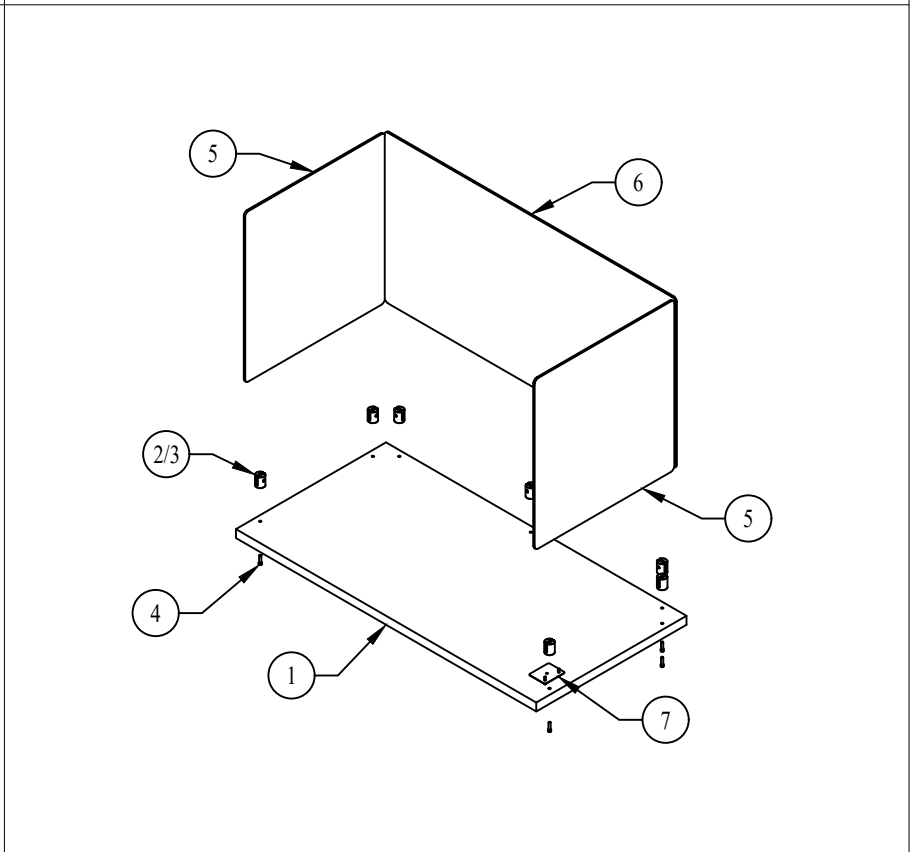
Versteel

Thank you for your purchase. We hope you have many great years of use from the Retro Fixed Acrylic Panels and all our products. If you have any questions which are not covered by these instructions, please contact customer service at 800.827.2120 or customerservice@versteel.com

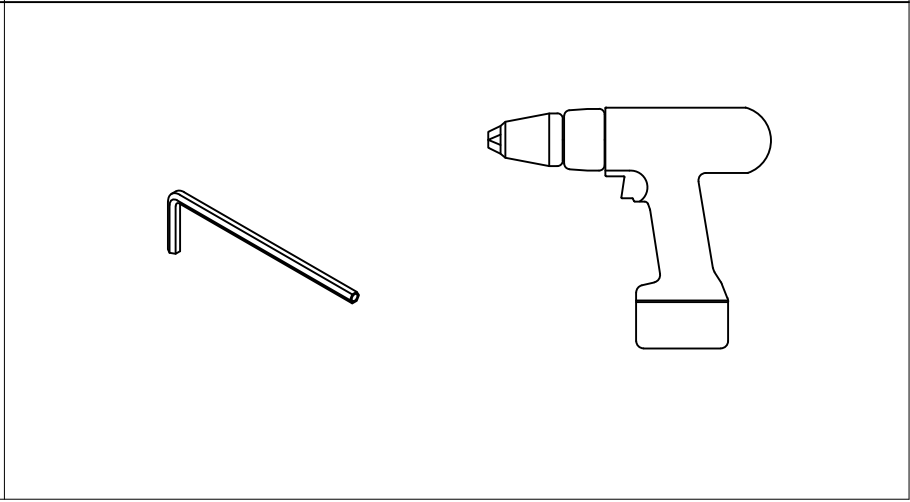


DOCUMENT CONTAINS 3 PAGES ASSEMBLY INSTRUCTIONS: RETRO FIXED ACRYLIC PANEL ASSEMBLY

COMPONENTS:	QTY:
① TABLE TOP	1
② PUCK	VARIABLES PER ORDER
③ SET SCREW	VARIABLES PER ORDER
④ 1/4-20 SHCS	VARIABLES PER ORDER
⑤ END PANEL	VARIABLES PER ORDER
⑥ BACK PANEL	VARIABLES PER ORDER
⑦ TEMPLATE	1



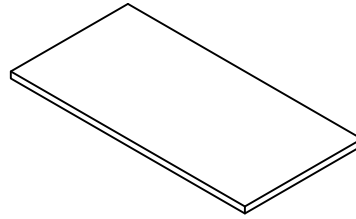
TOOLS REQUIRED:
1 ALLEN WRENCH OR DRIVER
2 CORDLESS DRILL, 1/4" DRILL BIT, 7/16" DRILL BIT





STEP ONE

SET TABLE TOP FACE DOWN ON A FURNITURE BLANKET OR CARPET

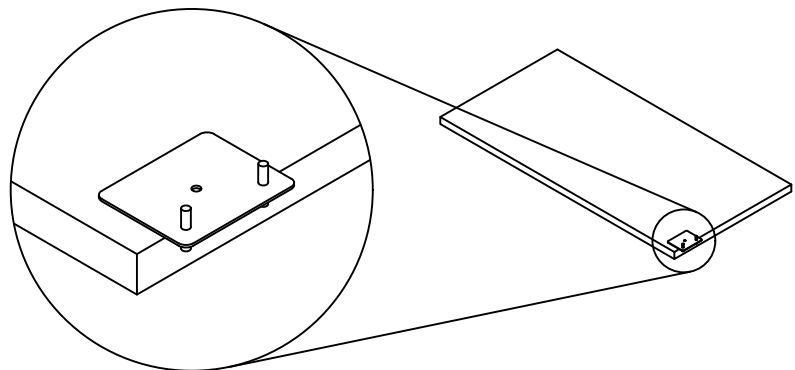


STEP TWO

WITH TABLE FACING DOWN, PUT TEMPLATE ON TABLE AS SHOWN. PUSH TEMPLATE TO THE EDGE OF THE TABLE SO THE PINS CONTACT THE EDGE.

LOCATE TEMPLATE IN SUCH A FASHION THAT IT DOES NOT INTERFERE WITH ANYTHING ATTACHED TO THE TOP.

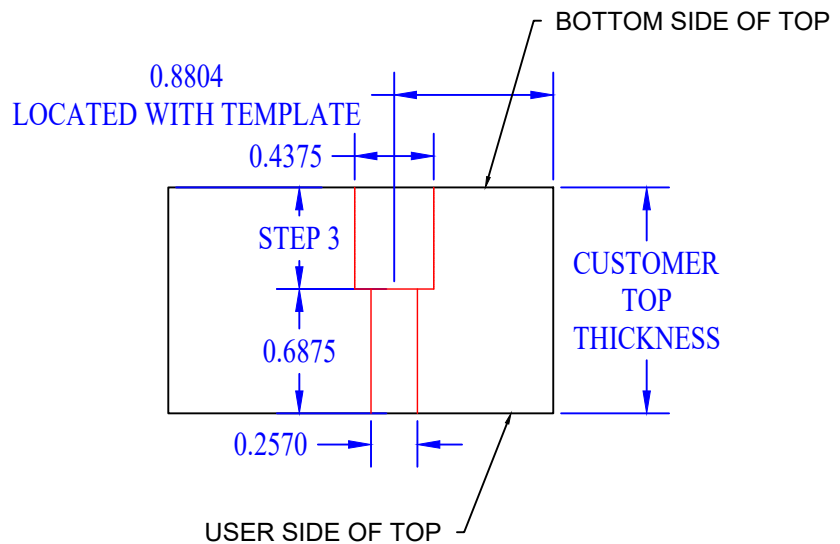
USING THE TEMPLATE, START THE 1/4" HOLE. REMOVE THE TEMPLATE AND DRILL THE 1/4" HOLE THROUGH THE TOP.



STEP THREE

REFERRING TO THE IMAGE TO THE RIGHT, MEASURE THE THICKNESS OF YOUR TOP AND SUBTRACT 11/16" (.6875"). THIS RESULTING DISTANCE WILL BE USED NEXT.

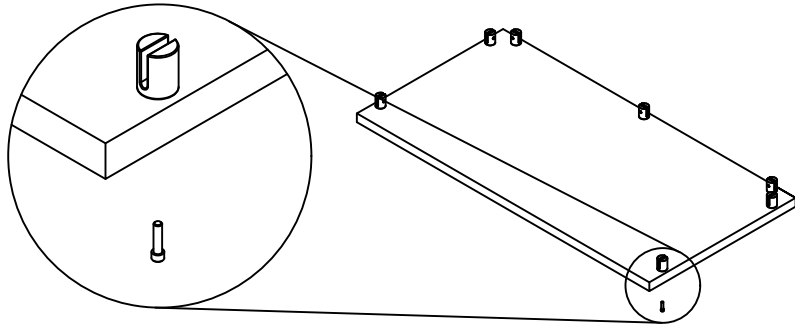
WITH THE TABLE TOP SURFACE STILL FACING DOWN, USE A BRAD POINT DRILL BIT, DRILL A 7/16" (.4375") HOLE THE DISTANCE PREVIOUSLY CALCULATED, STARTING ON THE UNDERSIDE OF THE TOP.





STEP FOUR

RUN THE 1/4-20 SHCS THROUGH THE TOP AND ATTACH THE PUCK TO THE SCREW. HAND TIGHTEN. DO NOT FULLY TIGHTEN WITH TOOLS RUN SLOTS IN PUCK PARALLEL TO THE EDGE OF THE TOP IT IS CLOSEST TO.



STEP FIVE

PUT THE BACK PANEL IN PLACE FIRST, THEN THE END PANELS. TIGHTEN PANELS IN PLACE WITH THE SET SCREWS PROVIDED. FINALLY, TIGHTEN UP THE SHCS ON THE BOTTOM SIDE OF THE TABLE.

