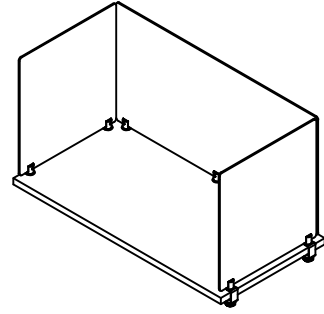


Versteel

Thank you for your purchase. We hope you have many great years of use from Acrylic Panels Removable Assembly and all our products. If you have any questions which are not covered by these instructions, please contact customer service at 800.827.2120 or customerservice@versteel.com

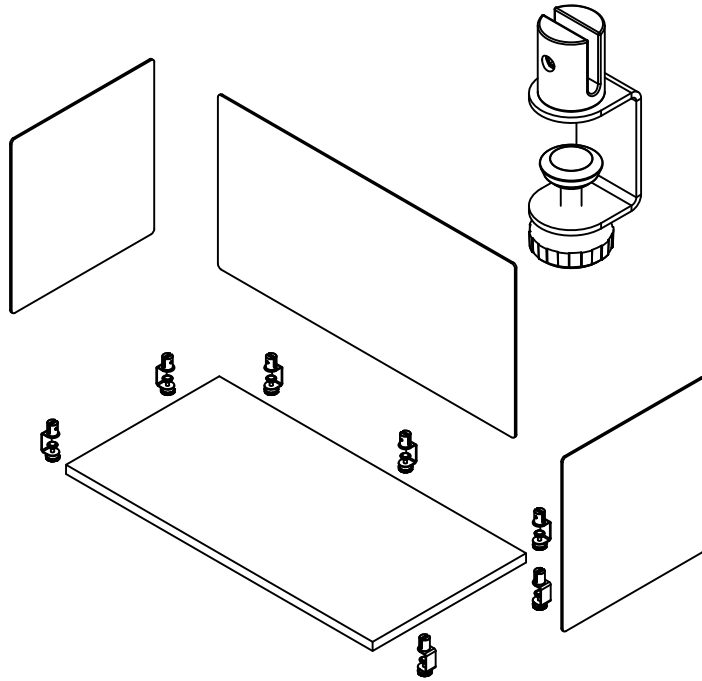


DOCUMENT CONTAINS 2 PAGES

ASSEMBLY INSTRUCTIONS: ACRYLIC PANELS REMOVABLE ASSEMBLY

COMPONENTS:

- 1 TOP
- 2 REMOVABLE BRACKET ASSEMBLY
- 4 ACRYLIC PANELS



TOOLS REQUIRED:

- 1 ALLEN WRENCH



VERSTEEL

270.INS.ACRYREM
7/17/20

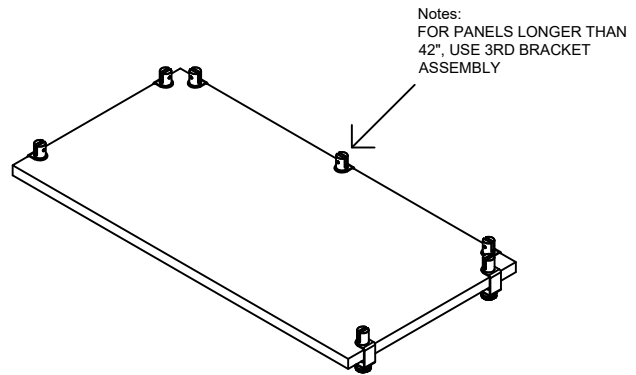
2332 Cathy Lane
Jasper Indiana 47546
800 876 2120
Versteel.com



STEP ONE

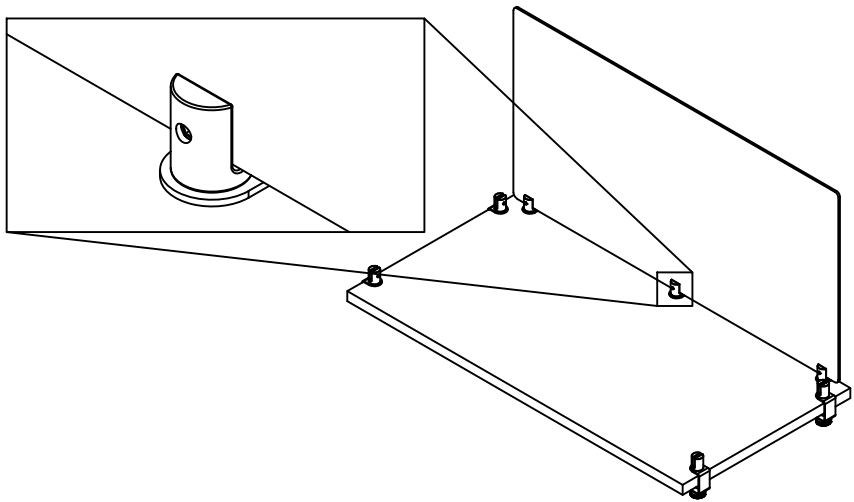
LOOKING UNDERNEATH YOUR TABLE TOP, FIND CLEAR LOCATIONS, AS CLOSE TO THE CORNER OF THE TOPS AS POSSIBLE, TO LOCATE THE PUCK ASSEMBLY.

USING THE HANDWHEEL, CLAMP THE ASSEMBLY TO THE TABLE TOP.



STEP TWO

WITH ALL CLAMPS IN PLACE, SLIDE THE BACK PANEL INTO THE GROOVES OF THE BRACKET ASSEMBLY. ONCE THE PANEL IS LOCATED IN ALL THREE ASSEMBLIES, CENTER THE PANEL LEFT TO RIGHT AND TIGHTEN DOWN VIA THE SET SCREW LOCATED IN THE PUCK.



STEP THREE

REPEAT STEP TWO FOR THE END PANELS. LOCATE THE END PANELS ABOUT 1/2" FROM THE USER EDGE OF THE TABLE.

