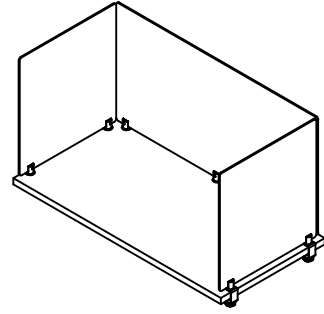


Versteel

Thank you for your purchase. We hope you have many great years of use from Acrylic Panels Removable Assembly and all our products. If you have any questions which are not covered by these instructions, please contact customer service at 800.827.2120 or [customerservice@versteel.com](mailto:customerservice@versteel.com)

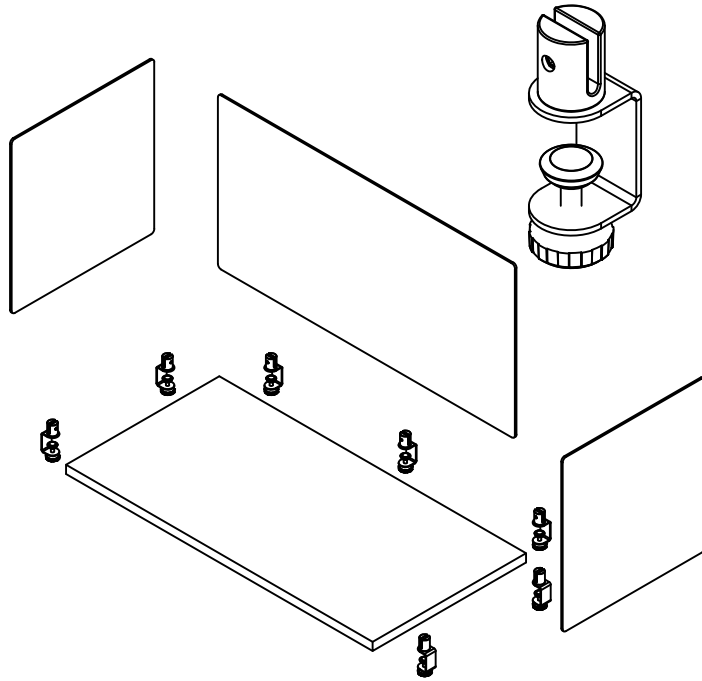


DOCUMENT CONTAINS 2 PAGES

ASSEMBLY INSTRUCTIONS: ACRYLIC PANELS REMOVABLE ASSEMBLY

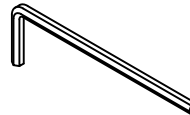
**COMPONENTS:**

- ❶ TOP
- ❷ REMOVABLE BRACKET ASSEMBLY
- ❹ ACRYLIC PANELS



**TOOLS REQUIRED:**

- ❶ ALLEN WRENCH



**VERSTEEL**

270.INS.ACRYREM  
7/17/20

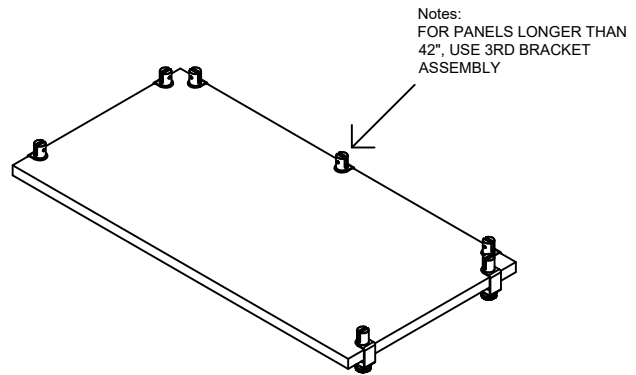
2332 Cathy Lane  
Jasper Indiana 47546  
800 876 2120  
[Versteel.com](http://Versteel.com)



**STEP ONE**

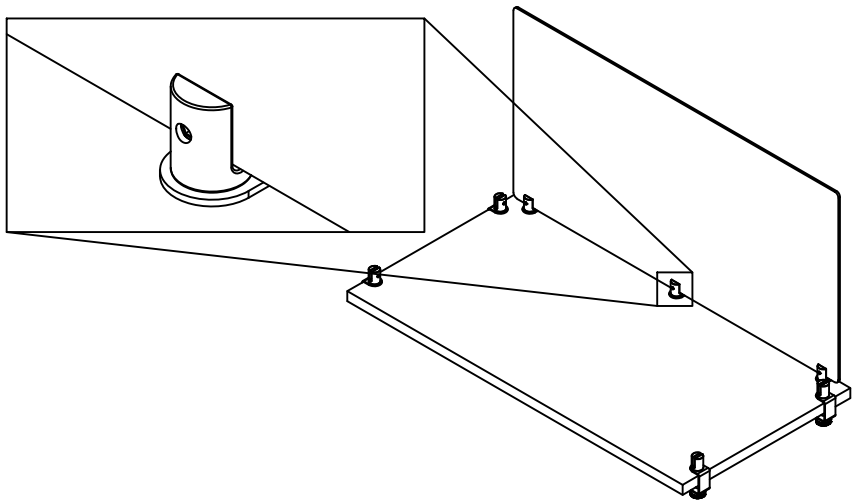
LOOKING UNDERNEATH YOUR TABLE TOP, FIND CLEAR LOCATIONS, AS CLOSE TO THE CORNER OF THE TOPS AS POSSIBLE, TO LOCATE THE PUCK ASSEMBLY.

USING THE HANDWHEEL, CLAMP THE ASSEMBLY TO THE TABLE TOP.



**STEP TWO**

WITH ALL CLAMPS IN PLACE, SLIDE THE BACK PANEL INTO THE GROOVES OF THE BRACKET ASSEMBLY. ONCE THE PANEL IS LOCATED IN ALL THREE ASSEMBLIES, CENTER THE PANEL LEFT TO RIGHT AND TIGHTEN DOWN VIA THE SET SCREW LOCATED IN THE PUCK.



**STEP THREE**

REPEAT STEP TWO FOR THE END PANELS. LOCATE THE END PANELS ABOUT 1/2" FROM THE USER EDGE OF THE TABLE.

