

Price List

JUMP TO PRICING [CLICK HERE](#)

TABLES



VERSTEEL


Laminate, Standard Core Construction

The standard top construction consists of 45-50 lb particleboard, surfaced with a high pressure laminate on all sides of the top and legs. Laminate panels are 2" thick. Table is predrilled for field installation.

Integrated under surface wire management channel consists of two (2) 1 1/2" thick panels with a powder coated metal cover plate. For a Parsons Table specified in Wilsonart D354-60 Designer White laminate, the under surface wire management channel cover plate will be Snow (PSNO) powder coat. When table is specified in any other laminate, cover plate will be Alloy (PALY) powder coat.

Table Height

Parsons table is offered in 29", 36" and 42" heights.

Glides

Parsons table is standard with nylon adjustable glides.

Laminates

Versteel's standard offering of laminates includes over 900 laminates from Formica, Nevamar, Pionite and Wilsonart.

Laminate manufacturers change standard offerings frequently, making it possible a standard product can become unavailable. Versteel cannot be responsible for any inconvenience this may cause.

Alternate Table Heights

Parsons table is offered in 29", 36" and 42" heights.

Alternate heights are available, contact Versteel Customer Service for quote.

Wire Management
Integrated Wire Management - \$175/panel

Specify code **BWP** (One Panel Wire Management), add \$175 list per table.

Specify code **BWP2** (Two Panel Wire Management), add \$350 list per table.

The core of the end panel contains a 2" concealed channel to allow for integrated wire management with access at the bottom of the end panel through a 2 1/4" round grommet.

Power Bay - \$1246 / unit

Specify code *EPB_* (Power Bay - Location_), add \$1246.00 list per Power Bay for first unit per table and \$1246.00 for each additional unit.

For clear anodized aluminum finish, add \$135 list per unit

The flush mount Power Bay electrical unit(s) is factory installed in the specified location. Choose any standard powder coat, or Clear Anodized Aluminum, for bezel and door.

SPECIFICATIONS

- One 10' cord, one 15 amp circuit, standard grounded plug
- Surge protection
- Four electrical outlets per unit
- Data plate with 9 slots



NOTE FOR MORE PLANNING AND ORDERING
DETAIL INFORMATION SEE ELECTRICAL PLANNING
SECTION PAGES 23-37

NOTE USE POWER BAY DATA PLATE GUIDELINES TO SPECIFY DATA JACKS

?

1 Power Bay - Provide Location Print
\$1246 / table

Specify code *EPB1* (1 Power Bay - Provide Location Print), add \$1246.00 list per table

One flush mount Power Bay electrical unit is factory installed in the top location indicated by specifier's print.

??

2 Power Bays - Provide Location Print
\$2492 / table

Specify code *EPB2* (2 Power Bays - Provide Location Print), add \$2492.00 list per table

Two flush mount Power Bay electrical units are factory installed in the top locations indicated by specifier's print.

???

3 Power Bays - Provide Location Print
\$3738 / table

Specify code *EPB3* (3 Power Bays - Provide Location Print), add \$3738.00 list per table

Three flush mount Power Bay electrical units are factory installed in the top locations indicated by specifier's print.

????

4 Power Bays - Provide Location Print
\$4984 / table

Specify code *EPB4* (4 Power Bays - Provide Location Print), add \$4984.00 list per table

Four flush mount Power Bay electrical units are factory installed in the top locations indicated by specifier's print.

Power Bay Data Plate Guidelines

The Power Bay Data Plate has (9) available slots for data jacks. Listed below are specification codes, number of slots each jack will occupy, and pricing.

Jack Type	Specify Code	Number of Slots	List Price per Jack Type
Data	DA	1	\$43
Voice	VO	1	\$18
Mini Stereo	MS	1	\$21
VGA	VG	2	\$30
HDMI	HD	2	\$100
USB	US	2	\$45
Data Coupler	DD	1	\$137
Voice Coupler	VV	1	\$4



Questions?

800 876 2120

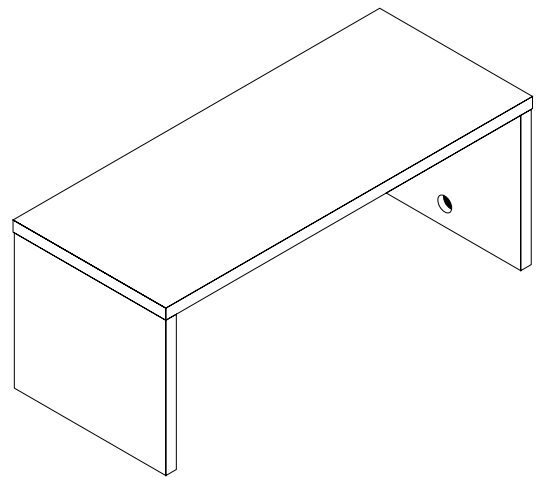
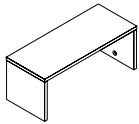
Power + Data Options

Please reference the Parsons Table Power + Data section or the Power + Data Price List

Wire Management Options

One Panel Wire ManagementBWP \$ 175
Two Panel Wire ManagementBWP2 \$ 350

Description	Model #	Product Wt	Price
29" Height			
18 x 72	PR1 1872H29	193	4016
18 x 96	PR1 1896H29	240	4661
18 x 120	PR1 18120H29	288	5674
24 x 72	PR1 2472H29	233	4634
24 x 96	PR1 2496H29	288	5391
24 x 120	PR1 24120H29	343	6519
30 x 72	PR1 3072H29	274	5248
30 x 96	PR1 3096H29	336	6120
30 x 120	PR1 30120H29	399	7359
36 x 72	PR1 3672H29	315	6081
36 x 96	PR1 3696H29	385	7437
36 x 120	PR1 36120H29	455	8570
42 x 72	PR1 4272H29	355	6698
42 x 96	PR1 4296H29	433	8164
42 x 120	PR1 42120H29	510	9413



To Order, Specify...

- ① Model Number
- ② Laminate Code
- ③ Additional Options

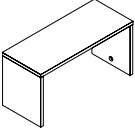


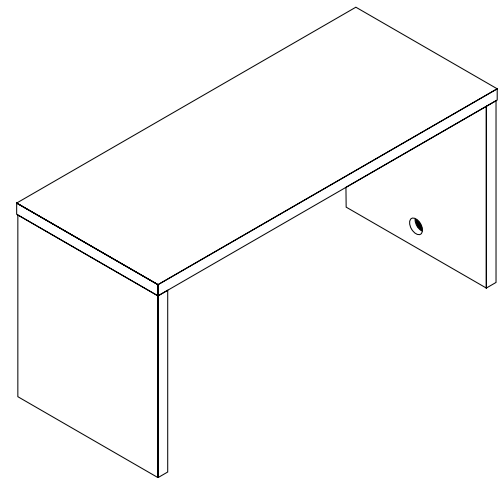
Power + Data Options

Please reference the Parsons Table Power + Data section or the Power + Data Price List

Wire Management Options

One Panel Wire ManagementBWP \$ 175
Two Panel Wire ManagementBWP2 \$ 350

	Description	Model #	Product Wt	Price
	36" Height			
	18 x 72	PR1 1872H36	206	4434
	18 x 96	PR1 1896H36	253	5151
	18 x 120	PR1 18120H36	301	5872
	24 x 72	PR1 2472H36	251	5116
	24 x 96	PR1 2496H36	306	5949
	24 x 120	PR1 24120H36	361	6782
	30 x 72	PR1 3072H36	296	5798
	30 x 96	PR1 3096H36	358	6745
	30 x 120	PR1 30120H36	421	7693
	36 x 72	PR1 3672H36	341	6478
	36 x 96	PR1 3696H36	411	7832
	36 x 120	PR1 36120H36	481	8969
	42 x 72	PR1 4272H36	386	7163
	42 x 96	PR1 4296H36	463	8628
	42 x 120	PR1 42120H36	541	9879





Questions?

800 876 2120

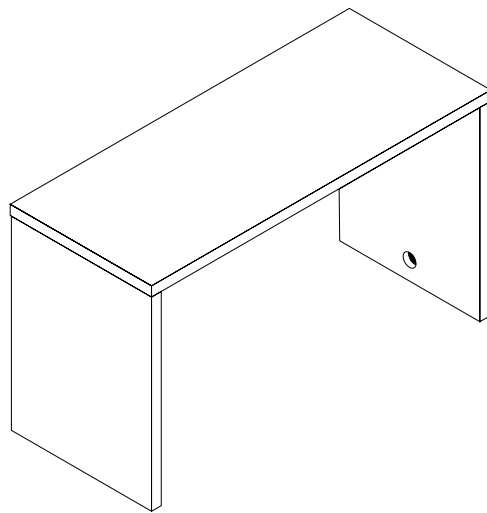
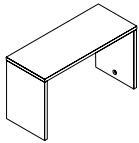
Power + Data Options

Please reference the Parsons Table Power + Data section or the Power + Data Price List

Wire Management Options

One Panel Wire ManagementBWP \$ 175
Two Panel Wire ManagementBWP2 \$ 350

Description	Model #	Product Wt	Price
42" Height			
18 x 72	PR1 1872H42	217	4603
18 x 96	PR1 1896H42	265	5323
18 x 120	PR1 18120H42	312	6044
24 x 72	PR1 2472H42	266	5343
24 x 96	PR1 2496H42	321	6178
24 x 120	PR1 24120H42	376	7009
30 x 72	PR1 3072H42	315	6081
30 x 96	PR1 3096H42	377	7028
30 x 120	PR1 30120H42	440	7974
36 x 72	PR1 3672H42	363	6821
36 x 96	PR1 3696H42	433	8174
36 x 120	PR1 36120H42	503	9308
42 x 72	PR1 4272H42	412	7559
42 x 96	PR1 4296H42	490	9026
42 x 120	PR1 42120H42	567	10276



To Order, Specify...

- 1 Model Number
- 2 Laminate Code
- 3 Additional Options

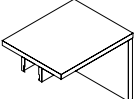


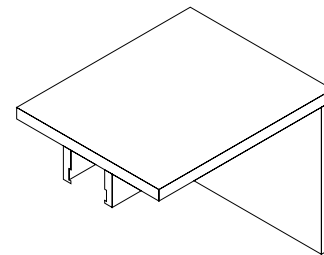
Power + Data Options

Please reference the Parsons Table Power + Data section or the Power + Data Price List

Wire Management Options

One Panel Wire ManagementBWP \$ 175
Two Panel Wire ManagementBWP2 \$ 350

	Description	Model #	Product Wt	Price
	Parsons ADA			
	30 x 36	PR1 A3036H29	111	3942
	36 x 36	PR1 A3636H29	122	4385
	42 x 36	PR1 A4236H29	133	4830



All prices are delivered list price effective with date printed on cover and supersedes all other published price lists. Versteel reserves the right to change prices or specifications without prior notice. Orders are accepted subject to price prevailing at time of shipment.

versteel.com
Made in America
800 876 2120