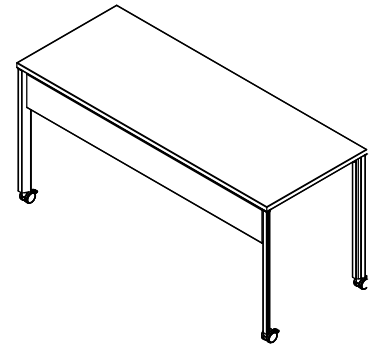

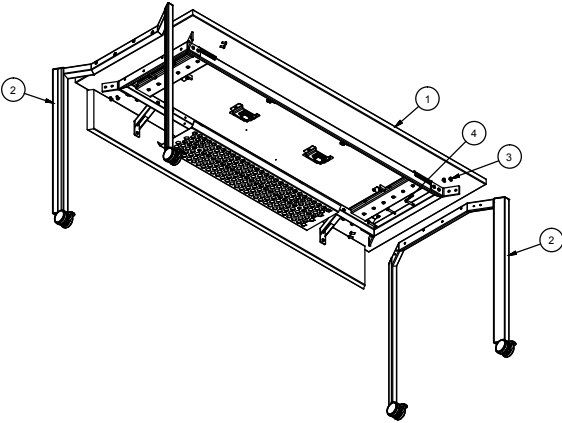

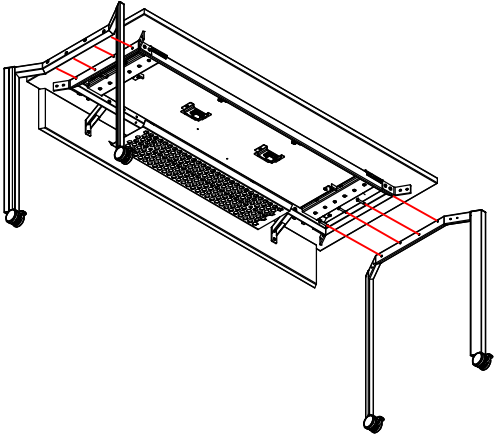




2332 Cathy Lane  
Jasper, IN  
47546  
800.876.2120  
812.482.9318 Fax  
www.versteel.com

Thank you for your purchase. Versteel hopes that you have many great years of use from this table and from all of our products. If you have questions that these instructions do not answer, please call customer service at 800.876.2120.



 DOCUMENT CONTAINS 2 PAGES	ASSEMBLY INSTRUCTIONS: ELIGA SLIDING TABLE															
<p><b>COMPONENTS:</b></p> <table border="0"><thead><tr><th></th><th><b>COMPONENTS:</b></th><th><b>QTY:</b></th></tr></thead><tbody><tr><td>❶</td><td>TOP ASSEMBLY</td><td>1</td></tr><tr><td>❷</td><td>LEG ASSEMBLY</td><td>2</td></tr><tr><td>❸</td><td>SCREW, 1/4-20 X 1/2"</td><td>8</td></tr><tr><td>❹</td><td>SCREW, 1/4-20 X 1-1/4"</td><td>8</td></tr></tbody></table>		<b>COMPONENTS:</b>	<b>QTY:</b>	❶	TOP ASSEMBLY	1	❷	LEG ASSEMBLY	2	❸	SCREW, 1/4-20 X 1/2"	8	❹	SCREW, 1/4-20 X 1-1/4"	8	
	<b>COMPONENTS:</b>	<b>QTY:</b>														
❶	TOP ASSEMBLY	1														
❷	LEG ASSEMBLY	2														
❸	SCREW, 1/4-20 X 1/2"	8														
❹	SCREW, 1/4-20 X 1-1/4"	8														
<p><b>TOOLS REQUIRED:</b></p> <table border="0"><tbody><tr><td>❶</td><td>ALLEN WRENCH</td></tr></tbody></table>	❶	ALLEN WRENCH														
❶	ALLEN WRENCH															
<p><b>STEP ONE</b></p> <p>ATTACH LEG ASSEMBLIES TO THE MAIN FRAME OF TOP ASSEMBLY USING (8) 1/4-20 X 1-1/4" SCREWS AND ALLEN WRENCH.</p>																



**STEP TWO**

SECURE LEG ASSEMBLIES TO THE  
ANGLE BRACKETS OF THE FRAME  
USING (8) 1/4-20 X 1/2" SCREWS AND

ALLEN WRENCH.

