
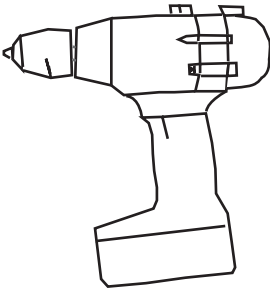
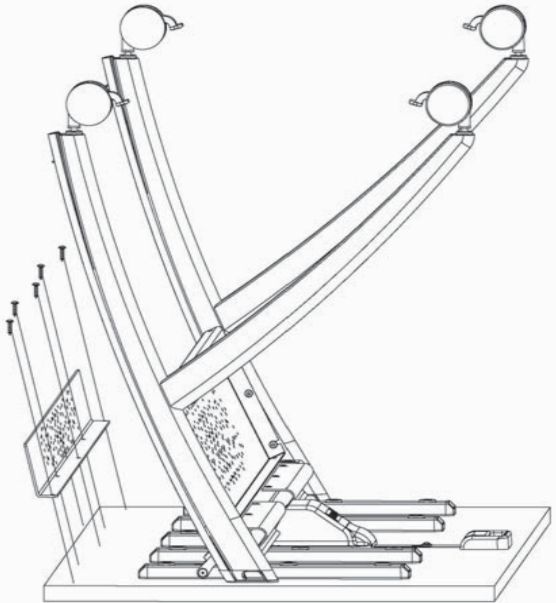




2332 Cathy Lane  
 Jasper, Indiana  
 47546  
 800.876.2120  
 812.482.9318 Fax  
 www.versteel.com

Thank you for your purchase. Versteel® hopes that you have many great years of use from this table and from all of our products. If you have questions that these instructions don't answer, please call customer service at 800.876.2120.



|  |  |
|--|--|
| <p> DOCUMENT CONTAINS 1 PAGE</p>  | <p><b>ASSEMBLY INSTRUCTIONS : TOD MINI MODESTY</b></p>   |
| <p><b>COMPONENTS:</b></p> <ul style="list-style-type: none"> <li><b>A</b> ASSEMBLED TOD TABLE (1 QTY)</li> <li><b>B</b> TOD MINI MODESTY (1 QTY)</li> <li><b>C</b> #10 x 3/4" SCREWS (VARYING QTY)</li> </ul>  | <p><b>TOOLS REQUIRED:</b></p> <p>POWER DRILL/DRIVER WITH ADJUSTABLE TORQUE</p>  |
| <p><b>ASSEMBLY : STEP 1</b><br/>       TURN TABLE UPSIDE DOWN ON THE FLOOR. (MAKE SURE THE FLOOR IS CLEAN AND FREE OF ANY DEBRIS.)</p> <p><b>ASSEMBLY : STEP 2</b><br/>       LINE UP HOLES ON EACH END OF MODESTY WITH PREDRILLED HOLES IN TOP.</p> <p><b>ASSEMBLY : STEP 3</b><br/>       USE PROVIDED #10 x 3/4" SCREWS (QTY WILL VARY WITH LENGTH OF MODESTY/TABLE) TO ATTACH MODESTY TO TOP. (DIAGRAM 1)</p> <p><b>ASSEMBLY : STEP 4</b><br/>       TURN TABLE UPRIGHT.</p> | <p><b>1</b></p>    |