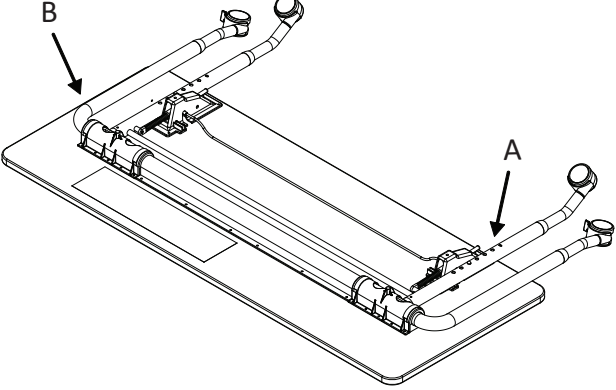
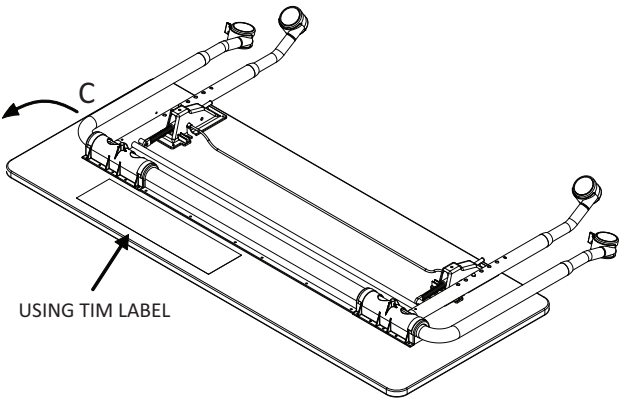




2332 Cathy Lane
 Jasper, Indiana
 47546
 800.876.2120
 812.482.9318 Fax
 www.versteel.com

Thank you for your purchase. Versteel® hopes that you have many great years of use from this table and from all of our products. If you have questions that these instructions don't answer, please call customer service at 800.876.2120.



<p>▶ DOCUMENT CONTAINS 1 PAGE</p>	<p>ASSEMBLY INSTRUCTIONS : TIM TABLE</p>
<p>COMPONENTS:</p> <p>A TIM TABLE (1 QTY)</p>	<p>CHECK THE TABLE LEGS TO ENSURE THAT THEY ARE SET TO THE DESIRED USER HEIGHT. TABLE LEGS ARE PRESET TO 29" TABLE HEIGHT.</p> <p>ALSO ENSURE THAT THE LEGS ARE LOCKED IN ONE OF THE ROUND HEIGHT POSITIONING HOLES (SEE ARROW A IN DIAGRAM 1) BEFORE REMOVING THE TABLE FROM THE CARTON TO PREVENT DAMAGE AND SECURE PROPER TABLE OPERATION.</p>
<p>ASSEMBLY : STEP 1 TO MOVE THE TABLE LEGS FROM THE FOLDED TO THE TILT POSITION, PUSH ONE OF THE OUTER LEGS TOWARD THE CENTER OF THE TABLE (SEE ARROW B IN DIAGRAM 1) TO RELEASE LEG LATCH. AT THE SAME TIME, GENTLY ROTATE THE LEG UP AND AWAY FROM THE TABLE TOP UNTIL IT REACHES THE LOCKED POSITION. (ARROW C IN DIAGRAM 2) THE LEG WILL SPRING OUT INTO A LOCKED POSITION.</p> <p>REPEAT WITH OTHER OUTER LEG.</p>	<p>1</p> 
<p>NOTE: FAMILIARIZE YOURSELF WITH THE "USING TIM" LABEL ON THE UNDERSIDE OF THE TABLE TOP. IT CONTAINS A LIST OF HEIGHT OPTIONS CORRESPONDING TO THE VARIOUS ADJUSTABLE HEIGHT HOLES. IT ALSO OUTLINES THE FUNCTIONS OF THE TABLE. NOW OR WHEN THE TOP IS TILTED IS THE BEST TIME TO REVIEW THIS LABEL.</p> <p>IF YOUR TABLE INCLUDES THE WIRE MANAGEMENT AND/OR MODESTY OPTION, IT IS EASIER TO INSTALL THAT BEFORE THE TABLE IS UPRIGHT. SEE THE INSTRUCTIONS FOR EACH OF THESE OPTIONS.</p> <p>THE FRONT LEG OF THE TABLE HAS AN ADDITIONAL SLOT HOLE NEXT TO THE HEIGHT ADJUSTMENT HOLES FOR INSTALLATION OF THE SAIL MODESTY.</p> <p>ASSEMBLY : STEP 2 TURN THE TABLE UPRIGHT. IF THE INSTRUCTIONS HAVE BEEN FOLLOWED CORRECTLY, THE TABLE WILL NOW BE IN THE TILT POSITION. PULL THE RELEASE HANDLE AND TILT TOP INTO THE WORK POSITION.</p>	<p>2</p>  <p>USING TIM LABEL</p>