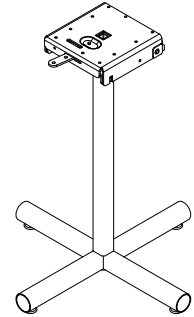

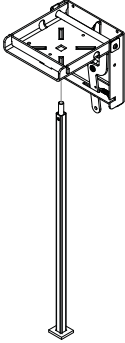
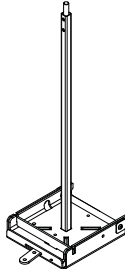
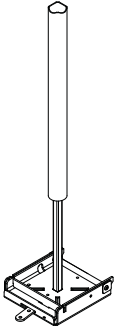
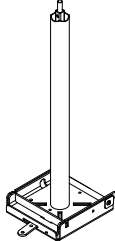
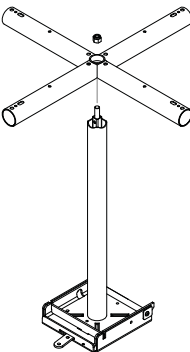
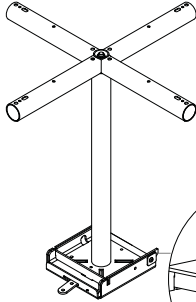
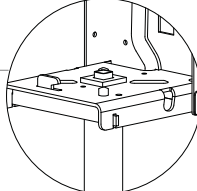





2332 Cathy Lane  
 Jasper, Indiana  
 47546  
 800.876.2120  
 812.482.9318 Fax  
 www.versteel.com

Thank you for your purchase. Versteel® hopes that you have many great years of use from this base and from all of our products. If you have questions that these instructions don't answer, please call customer service at 800.876.2120.



 DOCUMENT CONTAINS 1 PAGE	<b>ASSEMBLY INSTRUCTIONS : X22 &amp; X26 TILT BASES</b>
<p><b>COMPONENTS:</b></p> <ul style="list-style-type: none"> <li><b>A</b> ASSEMBLY ROD (1 QTY)</li> <li><b>B</b> TOP PLATE (1 QTY)</li> <li><b>C</b> COLUMN (1 QTY)</li> <li><b>D</b> BASE FEET (1 QTY)</li> <li><b>E</b> 1/2-20 LOCK NUT (1 QTY)</li> </ul>	<p><b>1</b></p>  
<p><b>ASSEMBLY : STEP 1</b>        OPEN TILT PAN. SLIDE THE ROD ASSEMBLY THROUGH THE HOLE IN THE TOP PLATE AND CLOSE TILT PAN. PLACE ON THE FLOOR. (DIAGRAM 1)</p> <p><b>ASSEMBLY : STEP 2</b>        SLIDE THE COLUMN DOWN OVER THE ROD ASSEMBLY WITH THE FLAT COLUMN EDGE TOWARD THE TOP PLATE. (DIAGRAM 2)</p>	<p><b>2</b></p>  
<p><b>ASSEMBLY : STEP 3</b>        ALIGN THE BASE LEGS WITH THE CUTOUTS IN THE COLUMN AND GUIDE ASSEMBLY ROD THROUGH THE HOLE IN THE CENTER OF THE LEGS. (DIAGRAM 3) THREAD LOCK NUT ONTO THE VISIBLE THREADED PORTION OF ASSEMBLY ROD. CHECK ALIGNMENT OF LEGS WITH CUTOUTS AND THAT ASSEMBLY ROD IS PROPERLY SEATED ON TOP PLATE. (DETAIL 1 OF DIAGRAM 3) USING A 3/4" SOCKET AND RATCHET, TIGHTEN LOCK NUT COMPLETELY.</p>	<p><b>3</b></p>   <p><b>DETAIL 1</b></p> 
<b>CONT'D</b> 	



**ASSEMBLY : STEP 4**

TO ASSEMBLE BASE TO TOP, FIRST PLACE TOP FACE DOWN ON THE FLOOR. (MAKE SURE THE FLOOR IS CLEAN AND FREE OF ANY DEBRIS.)

**ASSEMBLY : STEP 5**

OPEN TILT PAN AND MOUNT TO TOP USING THE PROVIDED SCREWS. LIFT BASE AND LOCK INTO USED POSITION. (DIAGRAM 4)

FLIP TABLE OVER; IT IS NOW READY FOR USE.

4

