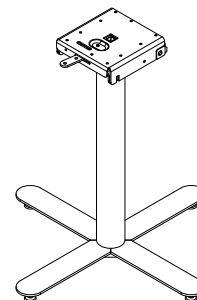
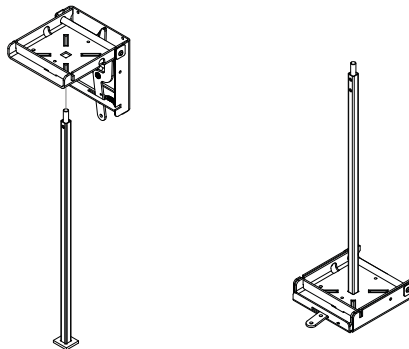
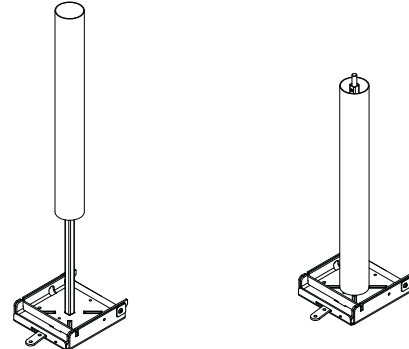
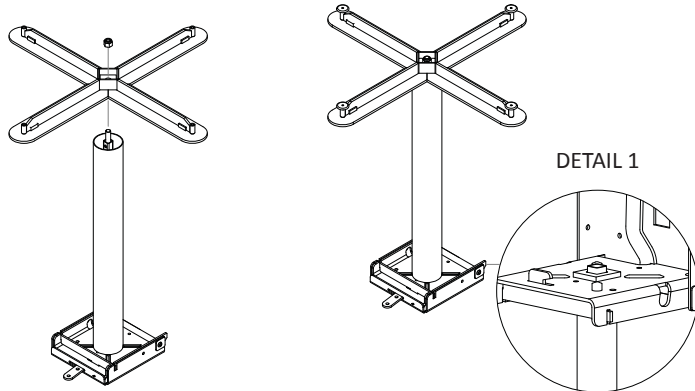




2332 Cathy Lane
Jasper, Indiana
47546
800.876.2120
812.482.9318 Fax
www.versteel.com

Thank you for your purchase. Versteel® hopes that you have many great years of use from this base and from all of our products. If you have questions that these instructions don't answer, please call customer service at 800.876.2120.



▶ DOCUMENT CONTAINS 1 PAGE	ASSEMBLY INSTRUCTIONS : BRATTICE® BX27 TILT BASES
<p>COMPONENTS:</p> <ul style="list-style-type: none">A ASSEMBLY ROD (1 QTY)B TOP PLATE (1 QTY)C COLUMN (1 QTY)D BASE FEET (1 QTY)E 1/2-20 LOCK NUT (1 QTY)	<p>1</p> 
<p>ASSEMBLY : STEP 1 OPEN TILT PAN. SLIDE THE ROD ASSEMBLY THROUGH THE HOLE IN THE TOP PLATE. CLOSE TILT PAN. PLACE ON THE FLOOR. (DIAGRAM 1)</p> <p>ASSEMBLY : STEP 2 SLIDE THE COLUMN DOWN OVER THE ROD ASSEMBLY WITH THE FLAT COLUMN EDGE TOWARD THE TOP PLATE. (DIAGRAM 2)</p>	<p>2</p> 
<p>ASSEMBLY : STEP 3 ALIGN THE SQUARE CUTOUT IN BASE LEGS WITH THE SQUARE END OF THE ASSEMBLY ROD. CHECK ALIGNMENT OF LEGS WITH TOP PLATE AND GUIDE ASSEMBLY ROD THROUGH THE HOLE IN THE CENTER OF THE LEGS. (DIAGRAM 3) THREAD LOCK NUT ONTO THE VISIBLE THREADED PORTION OF ASSEMBLY ROD. CHECK THAT THE ASSEMBLY ROD IS PROPERLY SEATED ON TOP PLATE. (DETAIL 1 OF DIAGRAM 3) USING A 3/4" SOCKET AND RATCHET, TIGHTEN LOCK NUT COMPLETELY.</p>	<p>3</p> 

CONT'D ▶



ASSEMBLY : STEP 4

TO ASSEMBLE BASE TO TOP, FIRST PLACE TOP FACE DOWN ON THE FLOOR. (MAKE SURE THE FLOOR IS CLEAN AND FREE OF ANY DEBRIS.)

ASSEMBLY : STEP 5

OPEN TILT PAN AND MOUNT TO TOP USING THE PROVIDED SCREWS. LIFT BASE AND LOCK INTO USED POSITION. (DIAGRAM 4)

FLIP TABLE OVER; IT IS NOW READY FOR USE.

4

