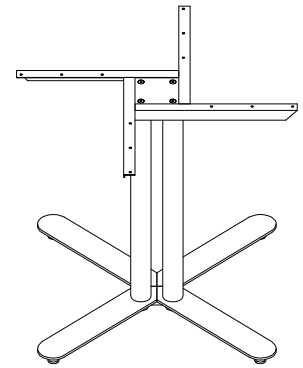




2332 Cathy Lane
Jasper, Indiana
47546
800.876.2120
812.482.9318 Fax
www.versteel.com

Thank you for your purchase. Versteel® hopes that you have many great years of use from this base and from all of our products. If you have questions that these instructions don't answer, please call customer service at 800.876.2120.



<p>▶ DOCUMENT CONTAINS 1 PAGE</p>	<p>ASSEMBLY INSTRUCTIONS : BRATTICE® BX4-36 & BX4-44 BASES</p>
<p>COMPONENTS:</p> <ul style="list-style-type: none">A COLUMN (4 QTY)B BASE FEET (1 QTY)C TOP PLATE (1 QTY)D 5/16-18 x 2 BOLT (4 QTY)E 5/16 LOCK WASHER (4 QTY)F 5/16-18 x 1 CAP SCREW (4 QTY)	<p>1</p>
<p>ASSEMBLY : STEP 1 ALIGN THE HOLE IN THE COLUMN WITH THE HOLE IN THE TOP PLATE. THREAD THE CAP SCREW THROUGH THE TOP PLATE AND INTO THE COLUMN. REPEAT FOR REMAINING THREE COLUMNS. (DIAGRAM 1)</p> <p>ASSEMBLY : STEP 2 ALIGN HOLES IN BASE FEET WITH THE CORRESPONDING HOLES IN COLUMN. SLIDE THE LOCK WASHER ONTO THE BOLT AND THREAD INTO COLUMN. USING A 1/2" SOCKET AND RATCHET, TIGHTEN BOLTS COMPLETELY. THE BASE IS NOW READY FOR USE. (DIAGRAM 2)</p>	<p>2</p>