



2332 Cathy Lane
 Jasper, Indiana
 47546
 800.876.2120
 812.482.9318 Fax
 www.versteel.com

Thank you for your purchase. Versteel® hopes that you have many great years of use from this table and from all of our products. If you have questions that these instructions don't answer, please call customer service at 800.876.2120.

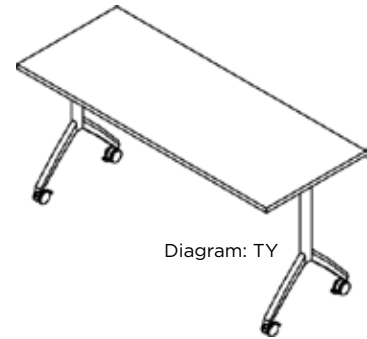
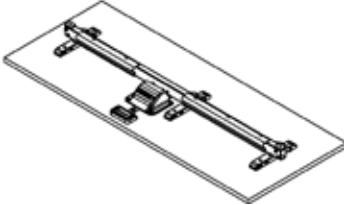






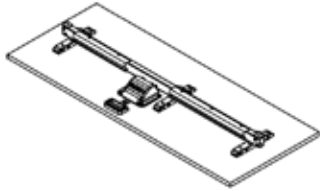
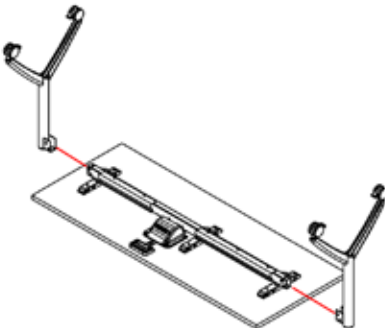


Diagram: TY

▶	PAGE 1 OF 2	ASSEMBLY INSTRUCTIONS: SLIM-TILT UNIVERSAL BASES	
	<p>COMPONENTS:</p> <p>QUANTITY:</p> <p>1 SLIM TILT TOP 1</p> <p>2 BASES 2</p>	<p>1 </p>	<p>2 </p>
	<p>TOOLS REQUIRED:</p> <p>1 ALLEN WRENCH</p> <p>2 BOLTS AND WASHERS (SUPPLIED BY VERSTEEL)</p>	<p>1 </p>	<p>2  - 5/16-18 X 2.5" BOLT (2 PCS)</p> <p>3  - 5/16-18 X 5/8" BOLT (4 PCS)</p> <p>4  - 5/16" LOCK WASHER (6 PCS)</p> <p>5  - WASHER PLATE (2 PCS)</p>
	<p>STEP ONE</p> <p>1 PLACE TOP FACE DOWN ON FLAT SURFACE OR FLOOR. BE SURE THAT THE FACE IS PROTECTED WITH CARDBOARD OR FURNITURE BLANKET.</p> <p>STEP TWO</p> <p>2 ORIENT THE BASES SO THAT THE HOLE PATTERN ON EACH BASE MATCHES THE HOLE PATTERN ON THE CENTER STRETCHER BAR. SLIDE THE BRACKETS ON THE BASES OVER THE BAR</p>	<p>1 </p>	<p>2 </p>

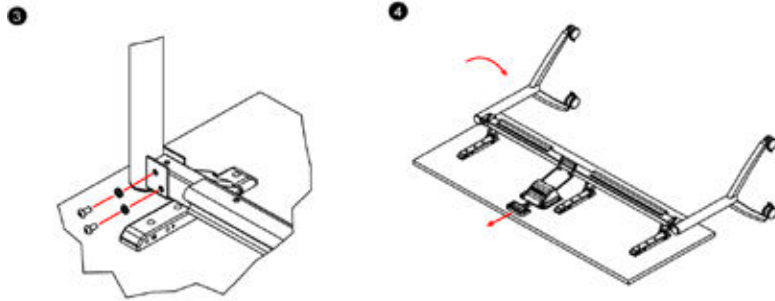


STEP THREE

ATTACH BASS TO STRETCHER BAR WITH (4) 5/16-18 X 5/8" BOLTS AND (4) LOCK WASHERS AS SHOWN. DO NOT TIGHTEN.

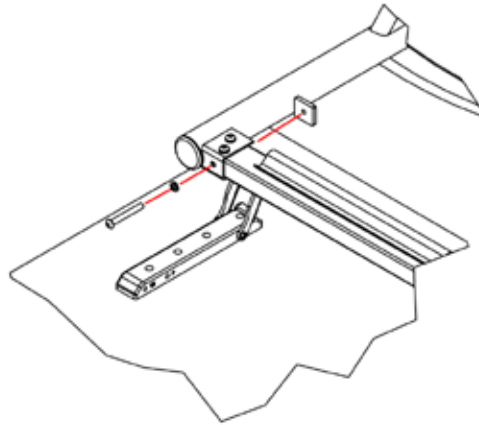
STEP FOUR

PULL RELEASE HANDLE TOWARDS YOU HOLDING ONE OF THE BASES TO PREVENT FROM FALLING, LAY BASES ON ITS SIDES AS SHOWN



STEP FIVE

INSTALL (2) 5/16-18 X 2.5" BOLTS, (2) LOCK WASHERS AND (2) WASHER PLATES AS SHOWN. TIGHTEN ALL 6 BOLTS.



STEP SIX

RETURN BASES TO THE INITIAL POSITION. YOU SHOULD HEAR A "CLICK." FLIP THE TABLE OVER AND SET IT ON THE FLOOR.

