
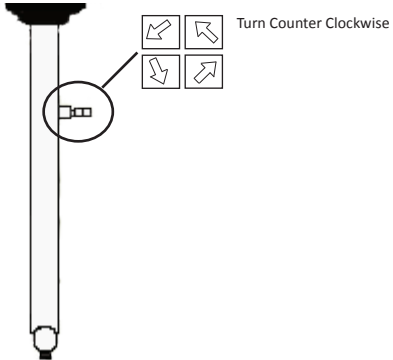




2332 Cathy Lane  
 Jasper, Indiana  
 47546  
 800.876.2120  
 812.482.9318 Fax  
 www.versteel.com

Thank you for your purchase. Versteel® hopes that you have many great years of use from this table and from all of our products. If you have questions that these instructions don't answer, please call customer service at 800.876.2120.



<p>▶ DOCUMENT CONTAINS 1 PAGE</p>	<p><b>ASSEMBLY INSTRUCTIONS : PNEUMATIC HEIGHT</b></p>
<p><b>COMPONENTS:</b></p> <p><b>A</b> TABLE WITH PNEUMATIC HEIGHT</p>	<p><b>A</b></p> 
<p><b>ASSEMBLY :</b></p> <p>TURN THE HANDLE COUNTER-CLOCKWISE APPROXIMATELY 1 TURN. THE BASE WILL INDEX UP TO THE NEXT STOP. TURN THE HANDLE COUNTER CLOCKWISE AGAIN AND THE BASE WILL INDEX UP AGAIN.</p>	<p><b>1</b></p> 
<p><b>ASSEMBLY : STEP 2</b></p> <p>TO LOWER THE BASE, PUSH DOWN ON THE TOP AND TURN THE HANDLE CLOCKWISE TO LOCK THE BASE IN AT THAT HEIGHT.</p>	<p><b>2</b></p> 