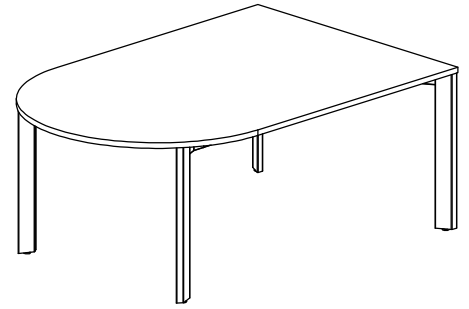




2332 Cathy Lane
 Jasper, Indiana
 47546
 800.876.2120
 812.482.9318 Fax
 www.versteel.com

Thank you for your purchase. Versteel hopes that you have many great years of use from this credenza and from all our products. If you have questions that these instructions do not answer, please call customer service at 800.876.2120



▶ DOCUMENT CONTAINS 2 PAGES

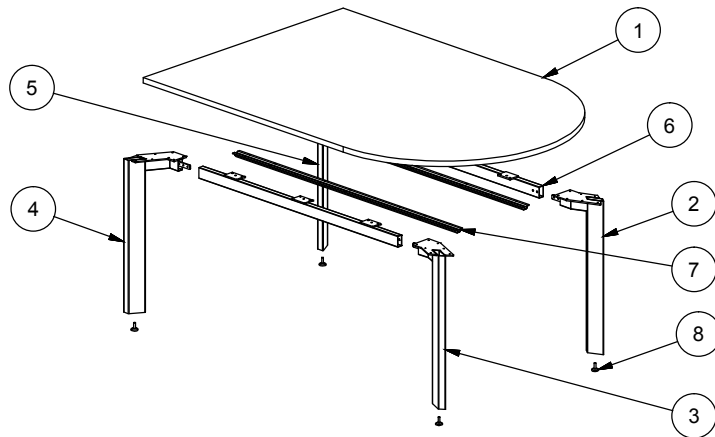
ASSEMBLY INSTRUCTIONS: ELIGA COLLABORATIVE D

COMPONENTS:

QTY:

- ① TABLE TOP 1
- ② RADIUS END LEG, LEFT 1
- ③ RADIUS END LEG, RIGHT 1
- ④ SQUARE END LEG, LEFT 1
- ⑤ SQUARE END LEG, RIGHT 1
- ⑥ CROSS RAIL TUBE 2
- ⑦ SUPPORT RAIL 2
- ⑧ GLIDE 4

SCREWS AND LOCK WASHERS ARE INCLUDED



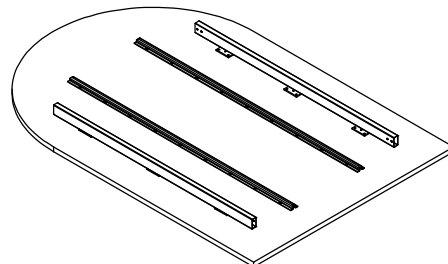
TOOLS REQUIRED:

- ① CORDLESS DRILL
- ② ALLEN WRENCH



STEP ONE

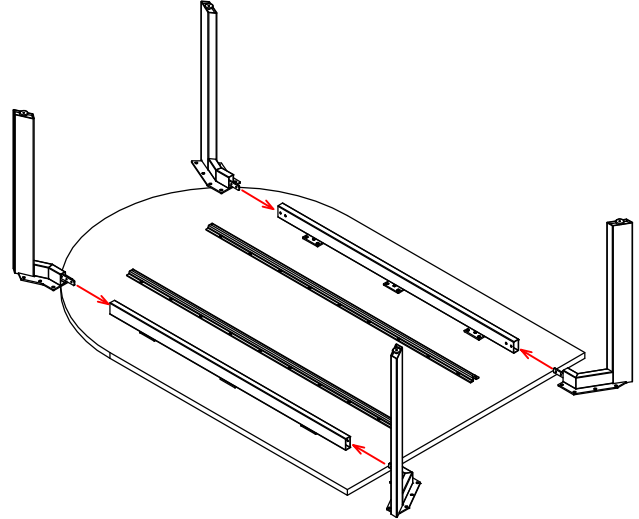
SET TABLE TOP FACE DOWN ON A FURNITURE BLANKET OR CARPET (SUPPORT RAILS ARE ALREADY ATTACHED TO THE TABLE TOP)





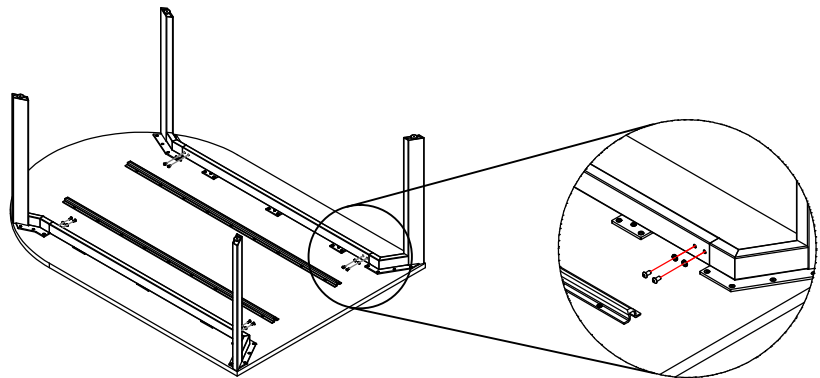
STEP TWO

POSITION TABLE LEGS INTO PLACE BY SLIDING ATTACHMENT TABS INSIDE CROSS RAIL TUBES AND ALIGNING HOLES ON LEG PLATES WITH PRE DRILLED HOLES ON TABLE TOP.



STEP THREE

MOUNT LEGS TO SUPPORT RAILS USING 1/2-20 X 1/2 SCREWS AND LOCK WASHERS (2 OF EACH PER LEG)



STEP FOUR

SCREW LEG ASSEMBLIES TO THE TABLE TOP USING #10 X .75" FLAT HEAD SCREWS.

