

Wherever You Find Tables And Chairs

# TABLES

the maker project **PRICE LIST**

DELIVERED PRICING 01 FEBRUARY 2019

**JUMP TO PRICING ...**  
**CLICK HERE**



**Prices**

All prices are list price, delivered (48 contiguous United States), effective with date printed on cover and supersedes all other published price lists. Versteel reserves the right to change prices or specifications without prior notice. Normal delivery is on a dock-to-dock basis. Orders are accepted subject to price prevailing at time of shipment. Additional charges may apply on special requests noted on the customer's purchase order such as inside delivery, "call before," etc. Tables are available F.O.B. Jasper, Indiana 47546 – call for quotation. Orders less than \$1000 net will be subject to a \$100 minimum order charge (orders originating from Canada less than \$1125 net will be subject to a \$200 minimum order charge).

**Acknowledgement**

Orders are accepted, manufactured, and invoiced in accordance with the acknowledgement. Notify Versteel immediately of any discrepancies. Acknowledged orders may not be cancelled or modified without written consent from Versteel.

**Orders**

All orders must be received in writing, accompanied by final material and finish specifications for order entry.

**CONTACT VERSTEEL**

EMAIL	contact@versteel.com
TELEPHONE	800 876 2120
	812 634 2120
FACSIMILE	812 482 9318

**MAILING ADDRESS**

Versteel  
2332 Cathy Lane  
Jasper, IN 47546

Faxed orders are accepted. Duplicate orders that are received by mail (after having been faxed) and not marked "Confirmation" are the responsibility of the customer.

Telephone orders must be confirmed in writing within 24 hours, marked "Confirmation." Duplicate orders not marked "Confirmation" are the responsibility of the customer.

**Credit**

You are requested to enclose one bank reference and three trade references with your initial order.

**Credit Cards**

Versteel accepts Mastercard, Visa & AMEX credit card payment for invoiced sales. Credit card information must be presented along with the Sales Order (with a signed Credit Card Authorization Form attached). There is no cash discount extended to credit card orders. Credit cards will be charged at time of shipment. Versteel will not accept credit cards for payment of account balances.

**Changes or Cancellation**

Any change or cancellation to an order must be submitted in writing and confirmed by Versteel Customer Service before the change or cancellation is effective. Due to short lead times, any change or cancellation may result in charges if materials have entered the production process.

**Packaging**

Versteel has no crate or packaging charge on standard products. All items are packaged to ensure delivery in excellent condition under normal handling by freight personnel. Versteel reserves the right to bulk pack or skid load tops in large quantities.

**Shipping**

Shipping Class 70. Normal delivery is on a dock-to-dock basis. Special requests such as inside delivery, "call before," etc. should be noted on the customer's purchase order and are subject to additional charges.

The Maker Project tables ship disassembled.

Orders shipping outside of the contiguous 48 United States will have shipping quoted as a separate item.

**FOB ORIGIN, FREIGHT PREPAID**

Versteel  
2332 Cathy Lane  
Jasper, IN 47546

**Shipping Damage Claims**

Legal title of merchandise passes to the buyer upon acceptance of the carrier. All cartons must be carefully inspected upon delivery. Details of visible damage should be noted on the delivery receipt. If concealed damage is discovered, the carrier must be notified within five (5) days. The buyer has the sole obligation of seeking recourse against the carrier.

**Partial Shipments**

Versteel makes every attempt to ship orders complete and on schedule. However, we reserve the right to make partial shipments as product is ready, in an effort to get your order to you as quickly as possible. Invoices covering these shipments are to be paid as they become due.

**Returns**

No return merchandise will be accepted without Versteel's written consent and shipping instructions. Unauthorized returns will not be accepted.

**Terms**

Terms are 1%, 10 days, net 30 days from date of invoice.

**Warranty**

All table and seating products manufactured by Versteel, are guaranteed by a Lifetime Warranty against defects in materials and workmanship from the date of purchase.

Electrical items manufactured by Versteel are guaranteed against defect for a period of five (5) years from date of purchase.

Electrical items not manufactured by Versteel are covered by the manufacturers under their specified warranty.

Consumables such as gas cylinders, casters and glides are covered for a period of one (1) year. Versteel will not cover labor costs associated with replacing the casters or glides.

Wood veneer is warranted for a period of ten (10) years. Natural variations in grain, color or texture of wood should not be construed as defects under this warranty.

Versteel will replace or repair (at our discretion) without cost to our customers any item manufactured by Versteel found to be defective as a result of defective material or workmanship. We will not, however, repair any item which is not properly installed, abused or subject to any use other than that which was originally intended. The warranty does not cover normal wear and tear of the product, which is expected over the course of ownership. Any repairs by the customer must receive specific written authorization from Versteel before being executed on location to receive proper reimbursement for associated costs. In no event shall liability under this warranty exceed the original purchase price.

Warranty on plastic laminates and upholstery is not covered by Versteel but is covered by laminate and textile manufacturers under their specified warranty only. All foams, fabrics and vinyls are prone to stretch and loosen over time through normal use. This natural effect, called puddling is covered for a period of one (1) year from the date of purchase.

There are no other warranties expressed or implied.

**Objective**

It is the objective of Versteel to adhere to Federal, State and local laws and codes, ordinances and regulations as may be applicable to control environmental risks, prevent harm to the public health and welfare, and to preserve our natural resources. Versteel acknowledges the necessity of commitment and hereby commits its resources of all levels of its management and all employees of the company to accomplish this objective.

**Policy Statement**

*Each Versteel facility has the responsibility to:*

Develop environmental policies which implement regulatory compliance requirements and provide management guidance and support with applicable environmental laws.

Train and motivate personnel to work in an environmentally acceptable manner and to understand and comply with government regulations within the scope of Versteel operations.

Communicate the importance of personal responsibility protection to all employees through formal training. Each employee will be aware of the environmental regulations applicable to their job functions, including limitations and functional restrictions of permits, spill control, emergency response actions, proper waste handling procedures, etc.

Communicate and continually assess relevant environmental developments on operations of the facilities and personnel.

Require sub-contractors or contractors (third parties working for, with, or on behalf of Versteel) to follow Versteel's environmental procedures while working within their facilities.

Make responsible personnel available at all times to carry out environmental procedures, especially under emergency situations.

Apply sound management practices and operating procedures.

Implement appropriate control technologies and process guidelines for preventive and corrective maintenance systems to minimize actual and potential environmental harm and exposures.

Communicate effectively with government and the public regarding serious environmental incidents should they ever occur.

Minimize the generation, emission or discharge of waste, and harmful or regulated substances and pollutants from operations to the extent most practical with laws and regulations. Ensure proper disposal of all waste.

Substitute materials or processes to allow the use of less hazardous substances where feasible.

Secure and maintain all environmental permits required for operation. Maintain up-to-date files of all environmental reporting requirements and make this information available for easy access at each operating facility.

Evaluate the causes behind any serious environmental incidents and establish procedures to avoid recurrence.

There is a sincere effort at Versteel to maintain our responsibility to the environment and to our employees. We are mindful of the effectiveness and improvements required to ensure environmentally safe conditions and to preserve our natural resources.

We pride ourselves on exceeding the standards set forth by federal, state and local codes.

Our electroplating plant consistently earns local annual environmental awards, and all of our products have met the requirements for Intertek Green Leaf VOC/VOC+ certification.



At Versteel, we feel it is our responsibility as a manufacturer to build products in a manner that promotes a safe and healthy environment for everyone. We maintain detailed information regarding the environmental impact of all Versteel products. If you have questions regarding our environmental policy or would like more information, please contact Versteel Customer Service at 800.876.2120.

**Care of Butcher Block Tops**

Clean all surfaces frequently with water-dampened soft cloth, moving the cloth with the grain direction. Quickly buff dry. Immediately remove any liquids that come in contact with wood surfaces using a blotting action to absorb liquid. Lift objects to move them. Never pull them across the finished surface.

Avoid exposing furniture to extreme heat and cold or to wide humidity variances. Avoid exposing furniture to strong sunlight. Do not use soaps, commercial cleaners or harsh solvents (nail polish remover, acetates, etc.) as they will cause finish deterioration.

**Care of Powder Coat**

Clean with a mild soap solution and rinse with clean, clear water. Wipe the entire surface and follow with a clean, dry cloth to buff dry.

**Top Construction**

The Maker Project maple butcher block tops are 1 3/4" thick, constructed with kiln-dried, uniform-width staves face-glued in a continuous length pattern with square corners. Tops are shipped pre-drilled for field installation of bases and accessories.

**Finish & Sheen**

Butcher block tops can be specified in either a Clear Matte (MCL2) or Clear Gloss (MCL3) finish.

Alternate wood finishes listed below are available on the maple butcher block for no additional upcharge.

**Alternate Wood Finishes\***

Caramel Maple . . . . .	CM
Solar Maple . . . . .	SA
Sugar Maple . . . . .	SU
Blossom Cherry . . . . .	BC
Cordovan Cherry . . . . .	CN
Golden Cherry . . . . .	GN
Java Cherry . . . . .	JA
Millwork Cherry . . . . .	MC
Brighton Walnut . . . . .	BW
Espresso Walnut . . . . .	EW
Beach . . . . .	BE
Chestnut . . . . .	CZ
Drift . . . . .	DR
Fawn . . . . .	FA
Fog . . . . .	FG
Stain Finish Match . . . . .	OSM

\*Finishes will vary from standard Versteel product when applied to butcher block.

**Stain Finish Match**

You must forward two 4" x 4" samples for each custom stain finish color match with order placement. Upcharge of \$734 list will apply for each stain color match.

**NOTE** STAIN FINISH MATCH COLOR APPROVAL MAY AFFECT STANDARD PRODUCTION SCHEDULES

**Heights**

The Maker Project tables are offered in 29", 36" and 42" table heights. Occasional tables are standard in 16" table height. The bench has an 18" seat height. Stools are available in 18", 24" or 29" seat heights. Alternate heights may be available, contact Versteel Customer Service for availability and quote.

**Casters**

Heavy duty locking swivel casters are available on the following Maker products.

Utility table . . . . .	6" casters
Occasional table . . . . .	3" casters
Whiteboard . . . . .	4" casters
Not available on benches, stools or Maker A	

**Glides**

Adjustable glides are available on the following Maker products.

- Utility and Occasional tables
- Benches
- Not available on whiteboard

**Metal Processing**

Studio Steel™ is Versteel's "urban fabrication" process which leaves the telltale signs of welding and assembly on the surface, highlighting a manufacturing aesthetic. Choosing a clear or transparent powder coat is recommended, allowing tonal striations (created as a result of extreme heat), natural textures, and the inherent qualities of raw steel to show through.

**Powder Coat Finishes**

All powder coat finishes in the Versteel offering have been formulated with the use of epoxy, polyester or epoxy and polyester blends to maximize the finish durability.

**Powder Coat Finish Options**

Powder Coat - Standard . . . . .	n/c
Powder Coat - Premium . . . . .	\$120

**Standard Powder Coat Colors & Codes**

Alabaster . . . . .	AB	◆	Gold . . . . .	GO
Alloy . . . . .	AY		Graphite . . . . .	GR
Anthracite . . . . .	AN		Ice . . . . .	IC
Ⓟ Barley . . . . .	BA		Latte . . . . .	LA
Black Anodized . . . . .	BL		Limestone . . . . .	LI
Bronze . . . . .	BR	◆	Matte . . . . .	ME
Cappuccino . . . . .	CU		Mica . . . . .	MI
Caramel . . . . .	CL		Nimbus . . . . .	NM
Carbon . . . . .	CO	◆	Obsidian . . . . .	OB
Ⓟ Chamois . . . . .	CA	◆	Pacific . . . . .	PA
Champagne . . . . .	CM		Pearl . . . . .	PE
Chicory . . . . .	CC	Ⓟ	Pesto . . . . .	PS
Ⓟ Cinder . . . . .	CI	◆	Raven . . . . .	RV
Coffee . . . . .	CF	◆	Satin . . . . .	SI
◆ Copper . . . . .	CP		Silver . . . . .	SV
◆ Crystal . . . . .	CR		Snow . . . . .	SN
Cypress . . . . .	CS		Steel . . . . .	SL
Ⓟ Dijon . . . . .	DJ		Stone . . . . .	SO
Ebony . . . . .	EB		Storm . . . . .	SM
Fossil . . . . .	FS		Twilight . . . . .	TW
◆ Garnet . . . . .	GA		Powder Coat Alternative . . . . .	OPA

**Transparent Powder Coats (indicated by ◆)**

Please note that the transparent characteristics of these powders allow all natural welds and textures inherent to raw steel to be visible.

**Premium Powder Coats (indicated by Ⓟ)**

Versteel's premium process uses specially formulated powder coats for a truly unique color palette.

**Powder Coat Alternatives**

You must forward a color sample or an RAL number for each alternate powder coat color with order placement. Call Versteel Customer Service for pricing and availability.

**Base Wire Access - \$42 / base**

Specify code **BWA** (Base Wire Access), add \$42.00 list per base

When specified the Base Wire Access will be installed on the left leg when looking at the table.



**Wire Trough / Cutout - \$389 / for rectangle table or \$273 / for round or square table**

Specify code **WTC** (Wire Trough / Cutout), add \$389.00 list per rectangle table or add \$273.00 list per round or square table  
Contact Customer Service for tables over 96" long

The 8" wide trough is open on the long sides with a 1" lip and one grommet on each of the short sides. The 3" depth below the top surface allows for electrical to be dropped through the cutout. The cutout in the top is 6" wide and is proportional to the top length. Trough will be the same color as the bases.



**Power Source Outlets \$142 / power source**

Specify code **PPS** (Power Source Outlets), add \$142.00 list per table

Power Source Outlets supply individual tables surge protected electrical connections. Unit is field installed and controlled by an illuminated On/Off switch.



**SPECIFICATIONS**

- 15' 14 AWGx3C power cord
- Illuminated On/Off and Reset switch
- 1,000 Jules surge protection
- Six (6) grounded power outlets per unit
- Aluminum housing mounts to underside of top
- Black

**Round Grommet - \$55 / each**

Specify code **WR\_** (Round Grommet - Location \_), add \$55.00 list per grommet

Round Grommets are 3" black grommets with an inside dimension of 2 1/4". Round grommets are factory installed in the specified location. Includes two-piece black insert.



**Oval Brush Grommet - \$70 / each**

Specify code **WO\_** (Oval Brush Grommet - Location \_), add \$70.00 list per grommet

Oval Brush Grommets are 3" x 7 1/2" black grommets with a brush insert cord access dimension of 1 1/2" x 4". Oval brush grommets are factory installed in the specified location.



**1 Grommet - Location F**

**Round Grommet** - Specify code **WRF**, add \$55.00 list per table



**Oval Brush Grommet** - Specify code **WOF**, add \$70.00 list per table

1 oval brush grommet is factory installed running widthwise in the center location of the top.

**2 Grommets - Location H**

**Round Grommet** - Specify code **WRH**, add \$110.00 list per table



**Oval Brush Grommet** - Specify code **WOH**, add \$140.00 list per table

2 grommets are factory installed in a predetermined centerline location of the top.

**1 Grommet - Location K**

**Round Grommet** - Specify code **WRK**, add \$55.00 list per table



**Oval Brush Grommet** - Specify code **WOK**, add \$70.00 list per table

1 grommet is factory installed running lengthwise in the center location of the top.

**Henri - \$252 / unit**

Specify code **PH\_** (Henri - Location\_),  
add \$252.00 list per Henri

The pop-up Henri electrical unit(s) is factory installed in the specified location. Perfect for single table applications. May be sequenced, but will be restricted to original order.

**SPECIFICATIONS**

- One 9' cord, one 15 amp circuit, standard grounded plug
- Surge protection
- Two electrical outlets per unit



**NOTE** FOR MORE PLANNING AND ORDERING DETAIL INFORMATION SEE ELECTRICAL PLANNING SECTION IN THE POWER & DATA PRICE LIST

**NOTE** FOR HENRI VOICE AND DATA JACK OPTIONS SEE THE POWER & DATA PRICE LIST



Location F

**1 Henri - Location F  
\$252 / table**

Specify code **PHF** (1 Henri - Location F),  
add \$252.00 list per table

One pop-up Henri electrical unit is factory installed in the center of the top.



Location K

**1 Henri - Location K  
\$252 / table**

Specify code **PHK** (1 Henri - Location K),  
add \$252.00 list per table

One pop-up Henri electrical unit is factory installed lengthwise in the center of the top.



Location H

**2 Henris - Location H  
\$504 / table**

Specify code **PHH** (2 Henris - Location H),  
add \$504.00 list per table

Two pop-up Henri electrical units are factory installed in predetermined positions in the top.

**Henri Now - \$244 / unit**

Specify code **PHN\_** (Henri Now - Location\_),  
add \$244.00 list per Henri Now, and  
**HNPU** \$330.00 (power infeed required for  
Henri Now when linked). 8 units per 1 HNPU.

The pop-up Henri Now electrical unit(s) is factory installed in the specified location. Recommended for multiple table applications. May be sequenced in any order.

**SPECIFICATIONS**

- One 10' cord, one 15 amp circuit, standard grounded plug
- Surge protection
- Two electrical outlets per unit



**NOTE** FOR MORE PLANNING AND ORDERING DETAIL INFORMATION SEE ELECTRICAL PLANNING SECTION IN THE POWER & DATA PRICE LIST

**NOTE** FOR HENRI NOW VOICE AND DATA JACK OPTIONS SEE THE POWER & DATA PRICE LIST

**NOTE** HENRI NOW SOFT WIRED LINKED SYSTEMS DO NOT WORK WITH GFCI RECEPTACLES. CONTACT VERSTEEL FOR ADDITIONAL INFORMATION.



Location F

**1 Henri Now - Location F  
\$244 / table**

Specify code **PHNF** (1 Henri Now - Location F),  
add \$244.00 list per table

One pop-up Henri Now electrical unit is factory installed in the center of the top.



Location K

**1 Henri Now - Location K  
\$244 / table**

Specify code **PHNK** (1 Henri Now - Location K),  
add \$244.00 list per table

One pop-up Henri Now electrical unit is factory installed lengthwise in the center of the top.



Location H

**2 Henri Nows - Location H  
\$488 / table**

Specify code **PHNH** (2 Henri Nows - Location H),  
add \$488.00 list per table

Two pop-up Henri Now electrical units are factory installed in predetermined positions in the top.



**Power Bay - \$956 / unit**

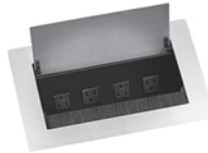
Specify code **EPB\_** (Power Bay - Location\_), add \$956.00 list per Power Bay for first unit per table and \$956.00 for each additional unit.

For clear anodized aluminum finish, add \$102 list per unit

The flush mount Power Bay electrical unit(s) is factory installed in the specified location. Choose any standard powder coat, or Clear Anodized Aluminum, for bezel and door.

**SPECIFICATIONS**

- One 10' cord, one 15 amp circuit, standard grounded plug
- Surge protection
- Four electrical outlets per unit
- Data plate with 9 slots



**NOTE** FOR MORE PLANNING AND ORDERING  
DETAIL INFORMATION SEE ELECTRICAL PLANNING  
SECTION IN THE POWER & DATA PRICE LIST

**NOTE** USE POWER BAY DATA PLATE GUIDELINES TO SPECIFY DATA JACKS

?

**1 Power Bay - Provide Location Print  
\$956 / table**

Specify code **EPB1** (1 Power Bay - Provide Location Print), add \$956.00 list per table

One flush mount Power Bay electrical unit is factory installed in the top location indicated by specifier's print.

??

**2 Power Bays - Provide Location Print  
\$1,912 / table**

Specify code **EPB2** (2 Power Bays - Provide Location Print), add \$1,912.00 list per table

Two flush mount Power Bay electrical units are factory installed in the top locations indicated by specifier's print.

???

**3 Power Bays - Provide Location Print  
\$2,868 / table**

Specify code **EPB3** (3 Power Bays - Provide Location Print), add \$2,868.00 list per table

Three flush mount Power Bay electrical units are factory installed in the top locations indicated by specifier's print.

????

**4 Power Bays - Provide Location Print  
\$3,824 / table**

Specify code **EPB4** (4 Power Bays - Provide Location Print), add \$3,824.00 list per table

Four flush mount Power Bay electrical units are factory installed in the top locations indicated by specifier's print.

**Power Bay Data Plate  
Guidelines**

The Power Bay Data Plate has (9) available slots for data jacks. Listed below are specification codes, number of slots each jack will occupy, and pricing.

Jack Type	Specify Code	Number of Slots	List Price per Jack Type
Data	DA	1	\$32
Voice	VO	1	\$12
Mini Stereo	MS	1	\$15
VGA	VG	2	\$21
HDMI	HD	2	\$76
USB	US	2	\$34
Data Coupler	DD	1	\$104
Voice Coupler	VV	1	\$29

**Eclipse**

Soft touch finish brings a hint of play to any fashionable work environment. Three port options. Mounts in surface.



**SPECIFICATIONS**

- Hole mount is 4.5" diameter

Model	Description	
ECL-IP3X	Three (3) power	\$321 list
ECL-IP2U	Two (2) power and one (1) dual port USB charger	\$380 list

**Unit Color**

STB	Soft Touch Black	n/c
STW	Soft Touch White	n/c

**Cord Length**

72	72" cord length	n/c
120	120" cord length	\$ 14 list

**Model Example: ECL-IP2U-STB-72**

**Hemisphere**

Soft touch finish brings a hint of play to any fashionable work environment. Three port options. Mounts in surface.



**SPECIFICATIONS**

- Hole mount is 3" diameter

Model	Description	
HEM-IP3X	Three (3) power	\$230 list
HEM-IP2U	Two (2) power and one (1) dual port USB charger	\$286 list

**Unit Color**

STB	Soft Touch Black	n/c
STW	Soft Touch White	n/c

**Cord Length**

72	72" cord length	n/c
120	120" cord length	\$ 14 list

**Model Example: HEM-IP2U-STB-72**

**Node**

Flush mount design complements a wide range of aesthetics. Plated or powder coat finishes bely a robust, die-cast construction.



Model	Description	
NOD-IP2X	Two (2) power	\$206 list
NOD-IP2U	One (1) power and one (1) dual port USB charger	\$284 list
NOD-IP2O	One (1) power and one (1) open data port	\$194 list

**Unit Color** (Additional finishes available upon request)

MPC	Midnight Powder Coat	n/c
PPC	Parchment Powder Coat	n/c
SPC	Silver Powder Coat	n/c

**Cord Length**

72	72" cord length	n/c
120	120" cord length	\$ 14 list

**Data Option** (Only available with NOD-IP2O)

DA	Cat6 RJ45 data jack w/ 10' patch cord	\$ 70 list
HD	HDMI jack	\$ 79 list
US	USB passive jack	\$ 51 list
VO	Cat3 RJ11 voice jack w/ 7' patch cord	\$ 32 list

**Model Example: NOD-IP2U-SPC-72**

**Salt or Pepper**

Individual USB charger or power outlet for easy, quick access applications.



**SPECIFICATIONS**

- Salt or Pepper hole mount is 1 3/8" diameter

Model	Description	
SLT	One (1) dual port USB charger w/ 72" cord	\$247 list
PPR	One (1) power outlet w/ 72" cord	\$ 82 list

**Unit Color** (Additional finishes available upon request)

BLK	Black
WHT	White

**Model Example: SLT-BLK**

**Mini-Tap**

Mini-Tap provides 2 outlets that can be mounted, with key slots, so as to put power near the edge of the worksurface. Mini-Tap is black.



**SPECIFICATIONS**

- Two (2) Simplexes
- Available with spill-proof Simplexes

Model	Description	
MTP-IP2X	Two (2) power	\$108 list
MTP-IP2U	One (1) power and one (1) dual port USB charger	\$281 list

**Cord Length**

72	72" cord length	n/c
120	120" cord length	\$ 14 list

**Model Example: MTP-IP2X-72**

**Axil Z IP** (Individually Powered)

Constructed out of anodized aluminum with a painted, steel faceplate, Axil Z is a robust, scalable and customizable power/data solution.



**SPECIFICATIONS**

- Mounts flat, sitting just above worksurface
- Requires cutout in worksurface
- Includes a voice/data adapter kit to accept couplers and jacks when required

Model	Description	
AXZ-IP-2-0	Two (2) power and no data	\$305 list
AXZ-IP-2-2	Two (2) power and two (2) open ports	\$313 list
AXZ-IP-2-4	Two (2) power and four (4) open ports	\$320 list
AXZ-IP-2-6	Two (2) power and six (6) open ports	\$326 list
AXZ-IP-3-1	Three (3) power and one (1) open port	\$324 list
AXZ-IP-3-3	Three (3) power and three (3) open ports	\$330 list
AXZ-IP-3-5	Three (3) power and five (5) open ports	\$338 list
AXZ-IP-4-0	Four (4) power and no open ports	\$402 list
AXZ-IP-4-2	Four (4) power and two (2) open ports	\$409 list
AXZ-IP-4-4	Four (4) power and four (4) open ports	\$415 list

**Unit Color**

Z06	Gloss Black	\$104 list
Z07	Gloss White	n/c
Z11	Gloss Black with Silver Trim	n/c
Z13	Silver Anodized with Black Trim	n/c

**Cord Length**

72	72" cord length	n/c
120	120" cord length	\$ 14 list

**USB Charging Options**

U1	One (1) dual port USB charging module (requires 1 open port)	\$111 list
U2	Two (2) dual port USB charging module (requires 2 open ports)	\$220 list

**Data Option** (Each data jack requires 1 open port)

DA	Cat6 RJ45 data jack w/ 10' patch cord	\$ 70 list
HD	HDMI jack	\$ 79 list
MS	3.5mm mini-stereo audio jack	\$ 21 list
US	USB passive jack	\$ 51 list
VG	VGA jack, 15 pin	\$ 99 list
VO	Cat3 RJ11 voice jack w/ 7' patch cord	\$ 32 list

**Model Example: AXZ-IP-4-2-Z07-72-DA-DA**

*Tables specified with linked units require table link. The table link will prevent the accidental disconnection of power supply to adjacent tables.*

**Axil Z SL2** (Soft-Wired, Linked)

Constructed out of anodized aluminum with a painted, steel faceplate, Axil Z is a robust, scalable and customizable power/data solution.



**SPECIFICATIONS**

- Mounts flat, sitting just above worksurface
- Requires cutout in worksurface
- Includes a voice/data adapter kit to accept couplers and jacks when required
- Maximum of 8 units in sequence
- Interlink iQ 2.0 (not compatible with units sold prior to 2/1/19)

Model	Description	
AXZ-SL2-2-0	Two (2) power and no data	\$315 list
AXZ-SL2-2-2	Two (2) power and two (2) open ports	\$323 list
AXZ-SL2-2-4	Two (2) power and four (4) open ports	\$329 list
AXZ-SL2-2-6	Two (2) power and six (6) open ports	\$336 list
AXZ-SL2-3-1	Three (3) power and one (1) open port	\$334 list
AXZ-SL2-3-3	Three (3) power and three (3) open ports	\$341 list
AXZ-SL2-3-5	Three (3) power and five (5) open ports	\$347 list

**NOTE:** SOFT-WIRED, LINKED UNITS CAN HAVE A MAXIMUM OF 3 POWER OUTLETS AND 1 DUAL PORT USB CHARGING MODULE PER UNIT.

**Unit Color**

Z06	Gloss Black	\$104 list
Z07	Gloss White	n/c
Z11	Gloss Black with Silver Trim	n/c
Z13	Silver Anodized with Black Trim	n/c

**Power Infeed**

BPS2-72	72" cord length	\$418 list
BPS2-120	120" cord length	\$432 list
BPS2-180	180" cord length	\$457 list

**NOTE:** 8 UNITS PER 1 BPS.

**Jumper**

BEJ2	Standard jumper included with tables up to and including 60". BEJ2 jumper required for tables greater than 60".	\$109 list
------	---	------------

**USB Charging Options**

U1	One (1) dual port USB charging module (requires 1 open port)	\$111 list
U2	Two (2) dual port USB charging module (requires 2 open ports)	\$220 list

**Data Option** (Each data jack requires 1 open port)

DA	Cat6 RJ45 data jack w/ 10' patch cord	\$ 70 list
HD	HDMI jack	\$ 79 list
MS	3.5mm mini-stereo audio jack	\$ 21 list
US	USB passive jack	\$ 51 list
VG	VGA jack, 15 pin	\$ 99 list
VO	Cat3 RJ11 voice jack w/ 7' patch cord	\$ 32 list

**Model Example: AXZ-SL2-2-0-Z11**

**Ellora IP** (Individually Powered)

Anodized aluminum construction and smart design keep cable clutter out of sight.



*Tables specified with linked units require table link. The table link will prevent the accidental disconnection of power supply to adjacent tables.*

**SPECIFICATIONS**

- Includes a voice/data adapter kit to accept couplers and jacks when required
- Fits in tops ¾" to 1 ¾" thick
- Requires cutout in worksurface

Model	Description	
ELL-IP-2-0	Two (2) power and no data	\$480 list
ELL-IP-2-2	Two (2) power and two (2) open ports	\$490 list
ELL-IP-2-4	Two (2) power and four (4) open ports	\$497 list
ELL-IP-2-6	Two (2) power and six (6) open ports	\$506 list
ELL-IP-3-1	Three (3) power and one (1) open port	\$502 list
ELL-IP-3-3	Three (3) power and three (3) open ports	\$512 list
ELL-IP-3-5	Three (3) power and five (5) open ports	\$519 list
ELL-IP-4-0	Four (4) power and no open ports	\$625 list
ELL-IP-4-2	Four (4) power and two (2) open ports	\$633 list
ELL-IP-4-4	Four (4) power and four (4) open ports	\$642 list

**Unit Color**

Z07	Silver Anodized with White Trim	n/c
Z08	Silver Anodized with Black Trim	n/c
Z09	Black Anodized with Black Trim	\$150 list

**Cord Length**

72	72" cord length	n/c
120	120" cord length	\$ 14 list

**USB Charging Options**

U1	One (1) dual port USB charging module (requires 1 open port)	\$111 list
U2	Two (2) dual port USB charging module (requires 2 open ports)	\$220 list

**Data Option** (Each data jack requires 1 open port)

DA	Cat6 RJ45 data jack w/ 10' patch cord	\$ 70 list
HD	HDMI jack	\$ 79 list
MS	3.5mm mini-stereo audio jack	\$ 21 list
US	USB passive jack	\$ 51 list
VG	VGA jack, 15 pin	\$ 99 list
VO	Cat3 RJ11 voice jack w/ 7' patch cord	\$ 32 list

**Model Example: ELL-IP-4-4-Z08-72-U1-DA-DA-HD**

**Ellora SL2** (Soft-Wired, Linked)

Smart design keeps cable clutter out of sight by allowing use while the lid is shut.



**SPECIFICATIONS**

- Includes a voice/data adapter kit to accept couplers and jacks when required
- Fits in tops ¾" to 1 ¾" thick
- Requires cutout in worksurface
- Maximum of 8 units in sequence
- Interlink iQ 2.0 (not compatible with units sold prior to 2/1/19)

Model	Description	
ELL-SL2-2-0	Two (2) power and no data	\$490 list
ELL-SL2-2-2	Two (2) power and two (2) open ports	\$502 list
ELL-SL2-2-4	Two (2) power and four (4) open ports	\$523 list
ELL-SL2-2-6	Two (2) power and six (6) open ports	\$545 list

ELL-SL2-3-1	Three (3) power and one (1) open port	\$499 list
ELL-SL2-3-3	Three (3) power and three (3) open ports	\$520 list
ELL-SL2-3-5	Three (3) power and five (5) open ports	\$542 list

**NOTE** SOFT-WIRED, LINKED UNITS CAN HAVE A MAXIMUM OF 3 POWER OUTLETS AND 1 DUAL PORT USB CHARGING MODULE PER UNIT.

**Unit Color**

Z07	Silver Anodized with White Trim	n/c
Z08	Silver Anodized with Black Trim	n/c
Z09	Black Anodized with Black Trim	\$150 list

**Power Infeed**

BPS2-72	72" cord length	\$418 list
BPS2-120	120" cord length	\$432 list
BPS2-180	180" cord length	\$457 list

**NOTE** 8 UNITS PER 1 BPS.

**Jumper**

BEJ2	Standard jumper included with tables up to and including 60". BEJ2 jumper required for tables greater than 60".	\$109 list
------	---	------------

**USB Charging Options**

U1	One (1) dual port USB charging module (requires 1 open port)	\$111 list
U2	Two (2) dual port USB charging module (requires 2 open ports)	\$220 list

**Data Option** (Each data jack requires 1 open port)

DA	Cat6 RJ45 data jack w/ 10' patch cord	\$ 70 list
HD	HDMI jack	\$ 79 list
MS	3.5mm mini-stereo audio jack	\$ 21 list
US	USB passive jack	\$ 51 list
VG	VGA jack, 15 pin	\$ 99 list
VO	Cat3 RJ11 voice jack w/ 7' patch cord	\$ 32 list

**Model Example: ELL-SL2-2-0-Z08**

**Mho IP** (Individually Powered)

Retractable and durably constructed. Highly functional with a fluid, one touch door that remains open during use.



**SPECIFICATIONS**

- Fluid, one touch accessibility
- Includes a voice/data adapter kit to accept couplers and jacks when required
- Fits in tops 3/4" to 1 3/4" thick

Model	Description	
MHO-IP-2-0	Two (2) power and no data	\$411 list
MHO-IP-2-2	Two (2) power and two (2) open ports	\$419 list
MHO-IP-2-4	Two (2) power and four (4) open ports	\$428 list
MHO-IP-2-6	Two (2) power and six (6) open ports	\$436 list
MHO-IP-3-1	Three (3) power and one (1) open port	\$480 list
MHO-IP-3-3	Three (3) power and three (3) open ports	\$491 list
MHO-IP-3-5	Three (3) power and five (5) open ports	\$499 list
MHO-IP-4-0	Four (4) power and no open ports	\$536 list
MHO-IP-4-2	Four (4) power and two (2) open ports	\$543 list
MHO-IP-4-4	Four (4) power and four (4) open ports	\$552 list

**Unit Color**

Z01	Silver Anodized with Black Trim	n/c
Z02	Silver Anodized with White Trim	n/c
EFA	Clear Anodized	n/c
EFF	Black Anodized	\$150 list

**Cord Length**

72	72" cord length	n/c
120	120" cord length	\$ 14 list

**USB Charging Options**

U1	One (1) dual port USB charging module (requires 1 open port)	\$111 list
U2	Two (2) dual port USB charging module (requires 2 open ports)	\$220 list

**Data Option** (Each data jack requires 1 open port)

DA	Cat6 RJ45 data jack w/ 10' patch cord	\$ 70 list
HD	HDMI jack	\$ 79 list
MS	3.5mm mini-stereo audio jack	\$ 21 list
US	USB passive jack	\$ 51 list
VG	VGA jack, 15 pin	\$ 99 list
VO	Cat3 RJ11 voice jack w/ 7' patch cord	\$ 32 list

**Model Example: MHO-IP-3-3-Z01-72-U1-DA-DA**

*Tables specified with linked units require table link. The table link will prevent the accidental disconnection of power supply to adjacent tables.*

**Mho SL2** (Soft-Wired, Linked)

Retractable and durably constructed. Highly functional with a fluid, one touch door that remains open during use.



**SPECIFICATIONS**

- Fluid, one touch accessibility
- Includes a voice/data adapter kit to accept couplers and jacks when required
- Fits in tops 3/4" to 1 3/4" thick
- Maximum of 8 units in sequence
- Interlink iQ 2.0 (not compatible with units sold prior to 2/1/19)

Model	Description	
MHO-SL2-2-0	Two (2) power and no data	\$426 list
MHO-SL2-2-2	Two (2) power and two (2) open ports	\$434 list
MHO-SL2-2-4	Two (2) power and four (4) open ports	\$444 list
MHO-SL2-2-6	Two (2) power and six (6) open ports	\$451 list
MHO-SL2-3-1	Three (3) power and one (1) open port	\$499 list
MHO-SL2-3-3	Three (3) power and three (3) open ports	\$507 list
MHO-SL2-3-5	Three (3) power and five (5) open ports	\$516 list

**NOTE** SOFT-WIRED, LINKED UNITS CAN HAVE A MAXIMUM OF 3 POWER OUTLETS AND 1 DUAL PORT USB CHARGING MODULE PER UNIT.

**Unit Color**

Z01	Silver Anodized with Black Trim	n/c
Z02	Silver Anodized with White Trim	n/c
EFA	Clear Anodized	n/c
EFF	Black Anodized	\$150 list

**Power Infeed**

BPS2-72	72" cord length	\$418 list
BPS2-120	120" cord length	\$432 list
BPS2-180	180" cord length	\$457 list

**NOTE** 8 UNITS PER 1 BPS.

**Jumper**

BEJ2	Standard jumper included with tables up to and including 60". BEJ2 jumper required for tables greater than 60".	\$109 list
------	---	------------

**USB Charging Options**

U1	One (1) dual port USB charging module (requires 1 open port)	\$111 list
U2	Two (2) dual port USB charging module (requires 2 open ports)	\$220 list

**Data Option** (Each data jack requires 1 open port)

DA	Cat6 RJ45 data jack w/ 10' patch cord	\$ 70 list
HD	HDMI jack	\$ 79 list
MS	3.5mm mini-stereo audio jack	\$ 21 list
US	USB passive jack	\$ 51 list
VG	VGA jack, 15 pin	\$ 99 list
VO	Cat3 RJ11 voice jack w/ 7' patch cord	\$ 32 list

**Model Example: MHO-SL2-2-0-Z02**

Tables specified with linked units require table link. The table link will prevent the accidental disconnection of power supply to adjacent tables.

### Ashley Duo Under

Specify code **HNP** (power supply unit required with soft-wired linking systems), add \$330.00 list. 1 per sequence.

Sharp, clean design features smooth receptacle faces, sleek satin metal trim, and optional ports for extensive power and data delivery.



Model	Description	
ADU-IP	Two (2) power, two (2) dual port USB charging, individually powered, soft-wired	\$348 list
ADU-HW	Two (2) power, two (2) dual port USB charging, individually powered, hard-wired	\$397 list
ADU-SL	Two (2) power, two (2) dual port USB charging, soft-wired linking (includes jumper)	\$507 list

#### Unit Color

BB	Black with Black Mounting Bracket	n/c
WS	White with Silver Mounting Bracket	n/c
WW	White with White Mounting Bracket	n/c

#### Cord Length (Individually powered units only)

72	72" cord length	n/c
120	120" cord length	\$ 14 list

### Ashley Trio Under

Specify code **HNP** (power supply unit required with soft-wired linking systems), add \$330.00 list. 1 per sequence.

Sharp, clean design features smooth receptacle faces, sleek satin metal trim, and optional ports for extensive power and data delivery.



Model	Description	
ATU-IP	Three (3) power, two (2) dual port USB charging, individually powered, soft-wired	\$413 list
ATU-HW	Three (3) power, two (2) dual port USB charging, individually powered, hard-wired	\$444 list
ATU-SL	Three (3) power, two (2) dual port USB charging, soft-wired linking (includes jumper)	\$507 list

#### Unit Color

BB	Black with Black Mounting Bracket	n/c
WS	White with Silver Mounting Bracket	n/c
WW	White with White Mounting Bracket	n/c

#### Cord Length (Individually powered units only)

72	72" cord length	n/c
120	120" cord length	\$ 14 list

Tables specified with linked units require table link. The table link will prevent the accidental disconnection of power supply to adjacent tables.



Utility Table  
29" High (Casters)



**Questions?**  
1.800.876.2120

**Base Options** **Code Price**  
Base Wire Access (exits above cross rail) . . . . . **BWA** \$ 42

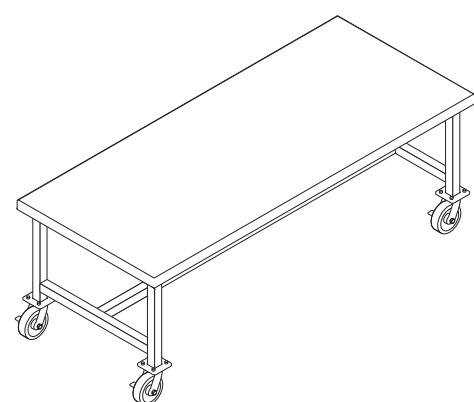
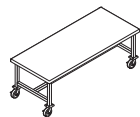
**Finish Options**  
Powder Coat - Standard . . . . . n/c  
Powder Coat - Premium . . . . . \$ 120

**Top Options**  
Custom Cutout (per cutout) . . . . . **TCC** \$ 87

**Power & Data Options**  
Please reference The Maker Project Power & Data section or the Power & Data Price List

**Wire Management Options** **Code Price**  
1 Oval Brush Grommet - Location F . . . . . **WOF** \$ 70  
1 Oval Brush Grommet - Location K . . . . . **WOK** \$ 70  
2 Oval Brush Grommets - Location H . . . . . **WOH** \$ 140  
1 Round Grommet - Location F . . . . . **WRF** \$ 55  
1 Round Grommet - Location K . . . . . **WRK** \$ 55  
2 Round Grommets - Location H . . . . . **WRH** \$ 110

29" Height	Description	Model #	Product Wt	Price
<b>Utility Table</b>	24 x 48 Fix	<b>MKU 2448REH29 C</b>	170	2621
	24 x 54 Fix	<b>MKU 2454REH29 C</b>	180	2934
	24 x 60 Fix	<b>MKU 2460REH29 C</b>	190	2934
	24 x 66 Fix	<b>MKU 2466REH29 C</b>	200	3083
	24 x 72 Fix	<b>MKU 2472REH29 C</b>	210	3247
	24 x 78 Fix	<b>MKU 2478REH29 C</b>	219	3572
	24 x 84 Fix	<b>MKU 2484REH29 C</b>	229	3741
	24 x 90 Fix	<b>MKU 2490REH29 C</b>	239	4008
	24 x 96 Fix	<b>MKU 2496REH29 C</b>	249	4209
	30 x 48 Fix	<b>MKU 3048REH29 C</b>	197	2911
	30 x 54 Fix	<b>MKU 3054REH29 C</b>	208	3292
	30 x 60 Fix	<b>MKU 3060REH29 C</b>	219	3292
	30 x 66 Fix	<b>MKU 3066REH29 C</b>	224	3470
	30 x 72 Fix	<b>MKU 3072REH29 C</b>	235	3673
	30 x 78 Fix	<b>MKU 3078REH29 C</b>	242	4104
	30 x 84 Fix	<b>MKU 3084REH29 C</b>	247	4308
	30 x 90 Fix	<b>MKU 3090REH29 C</b>	256	4640
	30 x 96 Fix	<b>MKU 3096REH29 C</b>	264	4890
	36 x 48 Fix	<b>MKU 3648REH29 C</b>	206	3226
	36 x 54 Fix	<b>MKU 3654REH29 C</b>	218	3682
	36 x 60 Fix	<b>MKU 3660REH29 C</b>	230	3682
	36 x 66 Fix	<b>MKU 3666REH29 C</b>	237	3899
	36 x 72 Fix	<b>MKU 3672REH29 C</b>	249	4147
	36 x 78 Fix	<b>MKU 3678REH29 C</b>	256	4756
	36 x 84 Fix	<b>MKU 3684REH29 C</b>	263	5014
	36 x 90 Fix	<b>MKU 3690REH29 C</b>	273	5423
	36 x 96 Fix	<b>MKU 3696REH29 C</b>	283	5727



**Sample Product Number Construction:** ① Choose your model. ② Specify the base finish and wood finish. ③ Indicate options.





Utility Table  
29" High (Casters)

**Questions?**

1.800.876.2120

**Base Options**

Base Wire Access (exits above cross rail) ..... **BWA** \$ 42

**Finish Options**

Powder Coat - Standard ..... n/c  
Powder Coat - Premium ..... \$ 120

**Top Options**

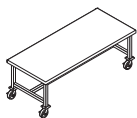
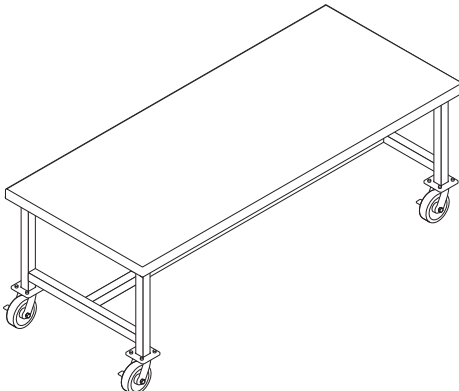
Custom Cutout (per cutout) ..... **TCC** \$ 87

**Power & Data Options**

Please reference The Maker Project Power & Data section or the Power & Data Price List

**Wire Management Options**

1 Oval Brush Grommet - Location F ..... **WOF** \$ 70  
1 Oval Brush Grommet - Location K ..... **WOK** \$ 70  
2 Oval Brush Grommets - Location H ..... **WOH** \$ 140  
1 Round Grommet - Location F ..... **WRF** \$ 55  
1 Round Grommet - Location K ..... **WRK** \$ 55  
2 Round Grommets - Location H ..... **WRH** \$ 110

29" Height	Description	Model #	Product Wt	Price	The Maker Project
	Utility Table				
	42 x 60 Fix	<b>MKU 4260REH29 C</b>	237	4209	
	42 x 66 Fix	<b>MKU 4266REH29 C</b>	250	4585	
	42 x 72 Fix	<b>MKU 4272REH29 C</b>	258	5007	
	42 x 78 Fix	<b>MKU 4278REH29 C</b>	269	5454	
	42 x 84 Fix	<b>MKU 4284REH29 C</b>	280	5928	
	42 x 90 Fix	<b>MKU 4290REH29 C</b>	288	6251	
	42 x 96 Fix	<b>MKU 4296REH29 C</b>	296	6801	
	42 x 120 Fix	<b>MKU 42120REH29 C</b>	329	9002	
	48 x 72 Fix	<b>MKU 4872REH29 C</b>	228	5676	
	48 x 78 Fix	<b>MKU 4878REH29 C</b>	239	6204	
	48 x 84 Fix	<b>MKU 4884REH29 C</b>	251	6748	
	48 x 90 Fix	<b>MKU 4890REH29 C</b>	260	7131	
	48 x 96 Fix	<b>MKU 4896REH29 C</b>	270	7985	
	48 x 120 Fix	<b>MKU 48120REH29 C</b>	308	10551	

Utility Table  
29" High (Glides)



**Questions?**  
1.800.876.2120

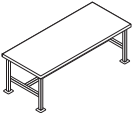
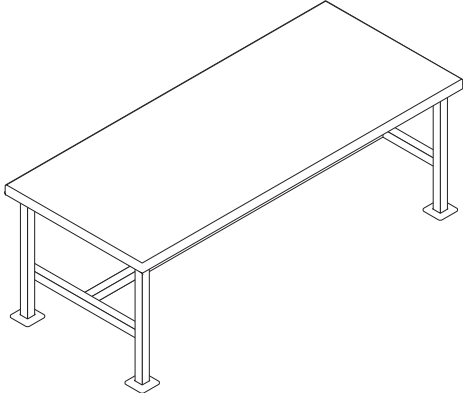
**Base Options** **Code Price**  
Base Wire Access (exits below cross rail) . . . . . **BWA** \$ 42

**Finish Options**  
Powder Coat - Standard . . . . . n/c  
Powder Coat - Premium . . . . . \$ 120

**Top Options**  
Custom Cutout (per cutout) . . . . . **TCC** \$ 87

**Power & Data Options**  
Please reference The Maker Project Power & Data section or the Power & Data Price List

**Wire Management Options** **Code Price**  
1 Oval Brush Grommet - Location F . . . . . **WOF** \$ 70  
1 Oval Brush Grommet - Location K . . . . . **WOK** \$ 70  
2 Oval Brush Grommets - Location H . . . . . **WOH** \$ 140  
1 Round Grommet - Location F . . . . . **WRF** \$ 55  
1 Round Grommet - Location K . . . . . **WRK** \$ 55  
2 Round Grommets - Location H . . . . . **WRH** \$ 110

29" Height	Description	Model #	Product Wt	Price	The Maker Project
	24 x 48 Fix	<b>MKU 2448REH29 G</b>	175	2321	
	24 x 54 Fix	<b>MKU 2454REH29 G</b>	185	2634	
	24 x 60 Fix	<b>MKU 2460REH29 G</b>	195	2634	
	24 x 66 Fix	<b>MKU 2466REH29 G</b>	205	2783	
	24 x 72 Fix	<b>MKU 2472REH29 G</b>	214	2947	
	24 x 78 Fix	<b>MKU 2478REH29 G</b>	224	3271	
	24 x 84 Fix	<b>MKU 2484REH29 G</b>	234	3440	
	24 x 90 Fix	<b>MKU 2490REH29 G</b>	244	3708	
	24 x 96 Fix	<b>MKU 2496REH29 G</b>	254	3909	
	30 x 48 Fix	<b>MKU 3048REH29 G</b>	193	2611	
	30 x 54 Fix	<b>MKU 3054REH29 G</b>	204	2992	
	30 x 60 Fix	<b>MKU 3060REH29 G</b>	216	2992	
	30 x 66 Fix	<b>MKU 3066REH29 G</b>	227	3170	
	30 x 72 Fix	<b>MKU 3072REH29 G</b>	238	3374	
	30 x 78 Fix	<b>MKU 3078REH29 G</b>	250	3805	
	30 x 84 Fix	<b>MKU 3084REH29 G</b>	261	4008	
	30 x 90 Fix	<b>MKU 3090REH29 G</b>	273	4340	
	30 x 96 Fix	<b>MKU 3096REH29 G</b>	284	4591	
	36 x 48 Fix	<b>MKU 3648REH29 G</b>	210	2927	
	36 x 54 Fix	<b>MKU 3654REH29 G</b>	223	3381	
	36 x 60 Fix	<b>MKU 3660REH29 G</b>	236	3381	
	36 x 66 Fix	<b>MKU 3666REH29 G</b>	249	3599	
	36 x 72 Fix	<b>MKU 3672REH29 G</b>	262	3847	
	36 x 78 Fix	<b>MKU 3678REH29 G</b>	276	4456	
	36 x 84 Fix	<b>MKU 3684REH29 G</b>	289	4715	
	36 x 90 Fix	<b>MKU 3690REH29 G</b>	302	5122	
	36 x 96 Fix	<b>MKU 3696REH29 G</b>	315	5428	

**Sample Product Number Construction:**

- 1 Choose your model.
- 2 Specify the base finish and wood finish.
- 3 Indicate options.



**Questions?**  
1.800.876.2120

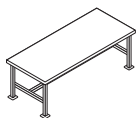
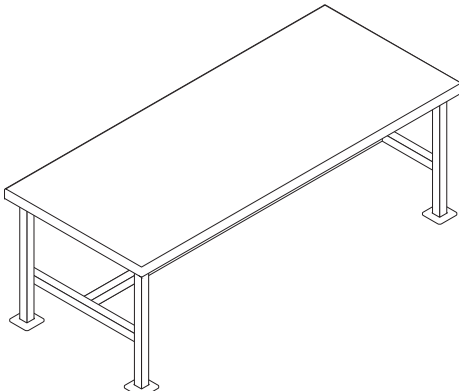
**Base Options** **Code Price**  
Base Wire Access (exits below cross rail) . . . . . **BWA** \$ 42

**Finish Options**  
Powder Coat - Standard . . . . . n/c  
Powder Coat - Premium . . . . . \$ 120

**Top Options**  
Custom Cutout (per cutout) . . . . . **TCC** \$ 87

**Power & Data Options**  
Please reference The Maker Project Power & Data section or the Power & Data Price List

**Wire Management Options** **Code Price**  
1 Oval Brush Grommet - Location F . . . . . **WOF** \$ 70  
1 Oval Brush Grommet - Location K . . . . . **WOK** \$ 70  
2 Oval Brush Grommets - Location H . . . . . **WOH** \$ 140  
1 Round Grommet - Location F . . . . . **WRF** \$ 55  
1 Round Grommet - Location K . . . . . **WRK** \$ 55  
2 Round Grommets - Location H . . . . . **WRH** \$ 110

29" Height	Description	Model #	Product Wt	Price	The Maker Project
	Utility Table				
	42 x 60 Fix	<b>MKU 4260REH29 G</b>	257	3993	
	42 x 66 Fix	<b>MKU 4266REH29 G</b>	272	4286	
	42 x 72 Fix	<b>MKU 4272REH29 G</b>	286	4707	
	42 x 78 Fix	<b>MKU 4278REH29 G</b>	301	5154	
	42 x 84 Fix	<b>MKU 4284REH29 G</b>	316	5627	
	42 x 90 Fix	<b>MKU 4290REH29 G</b>	331	5951	
	42 x 96 Fix	<b>MKU 4296REH29 G</b>	345	6502	
	42 x 120 Fix	<b>MKU 42120REH29 G</b>	426	8625	
	48 x 72 Fix	<b>MKU 4872REH29 G</b>	310	5376	
	48 x 78 Fix	<b>MKU 4878REH29 G</b>	327	5904	
	48 x 84 Fix	<b>MKU 4884REH29 G</b>	343	6447	
	48 x 90 Fix	<b>MKU 4890REH29 G</b>	360	6831	
	48 x 96 Fix	<b>MKU 4896REH29 G</b>	376	7684	
	48 x 120 Fix	<b>MKU 48120REH29 G</b>	465	10175	

Utility Table  
36" High (Casters)



**Questions?**  
1.800.876.2120

**Base Options** **Code Price**  
Base Wire Access (exits above cross rail) . . . . . **BWA** \$ 42

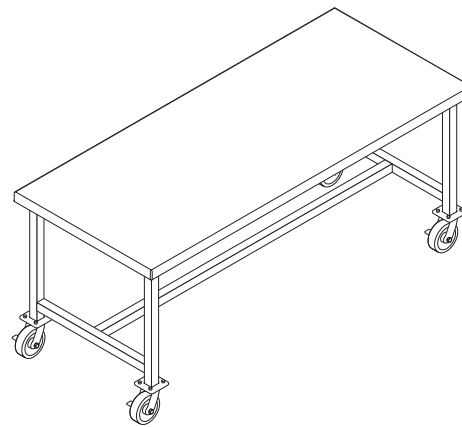
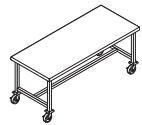
**Finish Options**  
Powder Coat - Standard . . . . . n/c  
Powder Coat - Premium . . . . . \$ 120

**Top Options**  
Custom Cutout (per cutout) . . . . . **TCC** \$ 87

**Power & Data Options**  
Please reference The Maker Project Power & Data section or the Power & Data Price List

**Wire Management Options** **Code Price**  
1 Oval Brush Grommet - Location F . . . . . **WOF** \$ 70  
1 Oval Brush Grommet - Location K . . . . . **WOK** \$ 70  
2 Oval Brush Grommets - Location H . . . . . **WOH** \$ 140  
1 Round Grommet - Location F . . . . . **WRF** \$ 55  
1 Round Grommet - Location K . . . . . **WRK** \$ 55  
2 Round Grommets - Location H . . . . . **WRH** \$ 110

36" Height	Description	Model #	Product Wt	Price
<b>Utility Table</b>	24 x 48 Fix	<b>MKU 2448REH36 C</b>	178	2641
	24 x 54 Fix	<b>MKU 2454REH36 C</b>	188	2954
	24 x 60 Fix	<b>MKU 2460REH36 C</b>	198	2954
	24 x 66 Fix	<b>MKU 2466REH36 C</b>	208	3103
	24 x 72 Fix	<b>MKU 2472REH36 C</b>	218	3267
	24 x 78 Fix	<b>MKU 2478REH36 C</b>	227	3591
	24 x 84 Fix	<b>MKU 2484REH36 C</b>	237	3762
	24 x 90 Fix	<b>MKU 2490REH36 C</b>	247	4028
	24 x 96 Fix	<b>MKU 2496REH36 C</b>	257	4229
	30 x 48 Fix	<b>MKU 3048REH36 C</b>	205	2931
	30 x 54 Fix	<b>MKU 3054REH36 C</b>	216	3312
	30 x 60 Fix	<b>MKU 3060REH36 C</b>	227	3312
	30 x 66 Fix	<b>MKU 3066REH36 C</b>	232	3491
	30 x 72 Fix	<b>MKU 3072REH36 C</b>	243	3694
	30 x 78 Fix	<b>MKU 3078REH36 C</b>	250	4125
	30 x 84 Fix	<b>MKU 3084REH36 C</b>	255	4329
	30 x 90 Fix	<b>MKU 3090REH36 C</b>	264	4661
	30 x 96 Fix	<b>MKU 3096REH36 C</b>	272	4911
	36 x 48 Fix	<b>MKU 3648REH36 C</b>	214	3247
	36 x 54 Fix	<b>MKU 3654REH36 C</b>	226	3702
	36 x 60 Fix	<b>MKU 3660REH36 C</b>	238	3702
	36 x 66 Fix	<b>MKU 3666REH36 C</b>	245	3919
	36 x 72 Fix	<b>MKU 3672REH36 C</b>	257	4167
	36 x 78 Fix	<b>MKU 3678REH36 C</b>	264	4777
	36 x 84 Fix	<b>MKU 3684REH36 C</b>	271	5035
	36 x 90 Fix	<b>MKU 3690REH36 C</b>	281	5443
	36 x 96 Fix	<b>MKU 3696REH36 C</b>	291	5748



**Sample Product Number Construction:**

- 1 Choose your model.
- 2 Specify the base finish and wood finish.
- 3 Indicate options.



Utility Table  
36" High (Casters)

**Questions?**

1.800.876.2120

**Base Options**

Base Wire Access (exits above cross rail) ..... **BWA** \$ 42

**Finish Options**

Powder Coat - Standard ..... n/c  
Powder Coat - Premium ..... \$ 120

**Top Options**

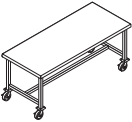
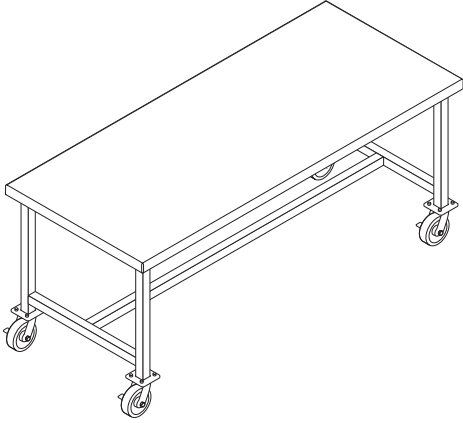
Custom Cutout (per cutout) ..... **TCC** \$ 87

**Power & Data Options**

Please reference The Maker Project Power & Data section or the Power & Data Price List

**Wire Management Options**

1 Oval Brush Grommet - Location F ..... **WOF** \$ 70  
1 Oval Brush Grommet - Location K ..... **WOK** \$ 70  
2 Oval Brush Grommets - Location H ..... **WOH** \$ 140  
1 Round Grommet - Location F ..... **WRF** \$ 55  
1 Round Grommet - Location K ..... **WRK** \$ 55  
2 Round Grommets - Location H ..... **WRH** \$ 110

36" Height	Description	Model #	Product Wt	Price	The Maker Project
	Utility Table				
	42 x 60 Fix	<b>MKU 4260REH36 C</b>	245	4313	
	42 x 66 Fix	<b>MKU 4266REH36 C</b>	258	4606	
	42 x 72 Fix	<b>MKU 4272REH36 C</b>	266	5027	
	42 x 78 Fix	<b>MKU 4278REH36 C</b>	277	5475	
	42 x 84 Fix	<b>MKU 4284REH36 C</b>	288	5948	
	42 x 90 Fix	<b>MKU 4290REH36 C</b>	296	6271	
	42 x 96 Fix	<b>MKU 4296REH36 C</b>	304	6822	
	42 x 120 Fix	<b>MKU 42120REH36 C</b>	337	9033	
	48 x 72 Fix	<b>MKU 4872REH36 C</b>	236	5697	
	48 x 78 Fix	<b>MKU 4878REH36 C</b>	247	6225	
	48 x 84 Fix	<b>MKU 4884REH36 C</b>	259	6768	
	48 x 90 Fix	<b>MKU 4890REH36 C</b>	268	7152	
	48 x 96 Fix	<b>MKU 4896REH36 C</b>	278	8005	
	48 x 120 Fix	<b>MKU 48120REH36 C</b>	316	10581	

Utility Table  
36" High (Glides)



**Questions?**  
1.800.876.2120

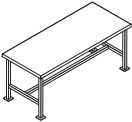
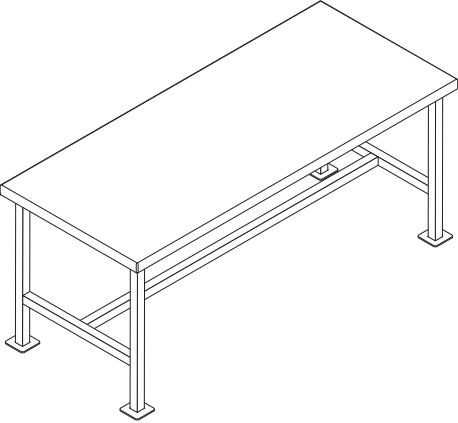
**Base Options** **Code Price**  
Base Wire Access (exits below cross rail) . . . . . **BWA** \$ 42

**Finish Options**  
Powder Coat - Standard . . . . . n/c  
Powder Coat - Premium . . . . . \$ 120

**Top Options**  
Custom Cutout (per cutout) . . . . . **TCC** \$ 87

**Power & Data Options**  
Please reference The Maker Project Power & Data section or the Power & Data Price List

**Wire Management Options** **Code Price**  
1 Oval Brush Grommet - Location F . . . . . **WOF** \$ 70  
1 Oval Brush Grommet - Location K . . . . . **WOK** \$ 70  
2 Oval Brush Grommets - Location H . . . . . **WOH** \$ 140  
1 Round Grommet - Location F . . . . . **WRF** \$ 55  
1 Round Grommet - Location K . . . . . **WRK** \$ 55  
2 Round Grommets - Location H . . . . . **WRH** \$ 110

36" Height	Description	Model #	Product Wt	Price	The Maker Project
	24 x 48 Fix	<b>MKU 2448REH36 G</b>	183	2341	
	24 x 54 Fix	<b>MKU 2454REH36 G</b>	193	2654	
	24 x 60 Fix	<b>MKU 2460REH36 G</b>	203	2654	
	24 x 66 Fix	<b>MKU 2466REH36 G</b>	213	2803	
	24 x 72 Fix	<b>MKU 2472REH36 G</b>	222	2968	
	24 x 78 Fix	<b>MKU 2478REH36 G</b>	232	3291	
	24 x 84 Fix	<b>MKU 2484REH36 G</b>	242	3461	
	24 x 90 Fix	<b>MKU 2490REH36 G</b>	252	3729	
	24 x 96 Fix	<b>MKU 2496REH36 G</b>	262	3929	
	30 x 48 Fix	<b>MKU 3048REH36 G</b>	201	2631	
	30 x 54 Fix	<b>MKU 3054REH36 G</b>	212	3013	
	30 x 60 Fix	<b>MKU 3060REH36 G</b>	224	3013	
	30 x 66 Fix	<b>MKU 3066REH36 G</b>	235	3190	
	30 x 72 Fix	<b>MKU 3072REH36 G</b>	246	3394	
	30 x 78 Fix	<b>MKU 3078REH36 G</b>	258	3825	
	30 x 84 Fix	<b>MKU 3084REH36 G</b>	269	4028	
	30 x 90 Fix	<b>MKU 3090REH36 G</b>	281	4361	
	30 x 96 Fix	<b>MKU 3096REH36 G</b>	292	4611	
	36 x 48 Fix	<b>MKU 3648REH36 G</b>	218	2947	
	36 x 54 Fix	<b>MKU 3654REH36 G</b>	231	3401	
	36 x 60 Fix	<b>MKU 3660REH36 G</b>	244	3401	
	36 x 66 Fix	<b>MKU 3666REH36 G</b>	257	3619	
	36 x 72 Fix	<b>MKU 3672REH36 G</b>	270	3867	
	36 x 78 Fix	<b>MKU 3678REH36 G</b>	284	4477	
	36 x 84 Fix	<b>MKU 3684REH36 G</b>	297	4735	
	36 x 90 Fix	<b>MKU 3690REH36 G</b>	310	5143	
	36 x 96 Fix	<b>MKU 3696REH36 G</b>	323	5448	

**Sample Product Number Construction:**

- 1 Choose your model.
- 2 Specify the base finish and wood finish.
- 3 Indicate options.



Utility Table  
36" High (Glides)

**Questions?**

1.800.876.2120

**Base Options**

Base Wire Access (exits below cross rail) ..... **BWA** \$ 42

**Finish Options**

Powder Coat - Standard ..... n/c  
Powder Coat - Premium ..... \$ 120

**Top Options**

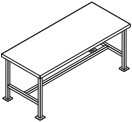
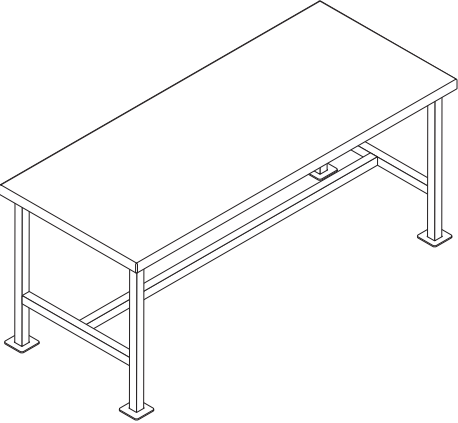
Custom Cutout (per cutout) ..... **TCC** \$ 87

**Power & Data Options**

Please reference The Maker Project Power & Data section or the Power & Data Price List

**Wire Management Options**

1 Oval Brush Grommet - Location F ..... **WOF** \$ 70  
1 Oval Brush Grommet - Location K ..... **WOK** \$ 70  
2 Oval Brush Grommets - Location H ..... **WOH** \$ 140  
1 Round Grommet - Location F ..... **WRF** \$ 55  
1 Round Grommet - Location K ..... **WRK** \$ 55  
2 Round Grommets - Location H ..... **WRH** \$ 110

36" Height	Description	Model #	Product Wt	Price	The Maker Project
	Utility Table				
	42 x 60 Fix	<b>MKU 4260REH36 G</b>	265	4013	
	42 x 66 Fix	<b>MKU 4266REH36 G</b>	280	4305	
	42 x 72 Fix	<b>MKU 4272REH36 G</b>	294	4728	
	42 x 78 Fix	<b>MKU 4278REH36 G</b>	309	5175	
	42 x 84 Fix	<b>MKU 4284REH36 G</b>	324	5647	
	42 x 90 Fix	<b>MKU 4290REH36 G</b>	339	5972	
	42 x 96 Fix	<b>MKU 4296REH36 G</b>	353	6522	
	42 x 120 Fix	<b>MKU 42120REH36 G</b>	434	8656	
	48 x 72 Fix	<b>MKU 4872REH36 G</b>	318	5396	
	48 x 78 Fix	<b>MKU 4878REH36 G</b>	335	5925	
	48 x 84 Fix	<b>MKU 4884REH36 G</b>	351	6467	
	48 x 90 Fix	<b>MKU 4890REH36 G</b>	368	6852	
	48 x 96 Fix	<b>MKU 4896REH36 G</b>	384	7704	
	48 x 120 Fix	<b>MKU 48120REH36 G</b>	473	10205	

Utility Table  
42" High (Casters)



**Questions?**

1.800.876.2120

**Base Options**

Base Wire Access (exits above cross rail) . . . . . **BWA** \$ 42

**Finish Options**

Powder Coat - Standard . . . . . n/c  
Powder Coat - Premium . . . . . \$ 120

**Top Options**

Custom Cutout (per cutout) . . . . . **TCC** \$ 87

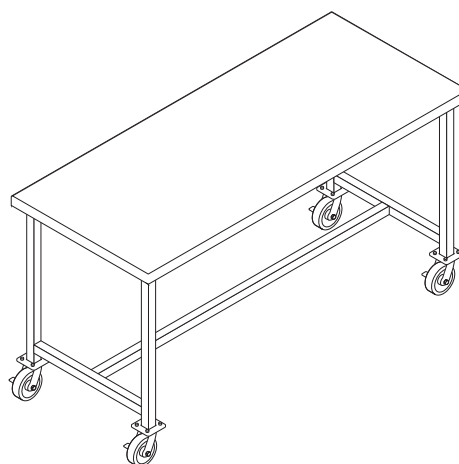
**Power & Data Options**

Please reference The Maker Project Power & Data section or the Power & Data Price List

**Wire Management Options**

1 Oval Brush Grommet - Location F . . . . . **WOF** \$ 70  
1 Oval Brush Grommet - Location K . . . . . **WOK** \$ 70  
2 Oval Brush Grommets - Location H . . . . . **WOH** \$ 140  
1 Round Grommet - Location F . . . . . **WRF** \$ 55  
1 Round Grommet - Location K . . . . . **WRK** \$ 55  
2 Round Grommets - Location H . . . . . **WRH** \$ 110

42" Height	Description	Model #	Product Wt	Price
<b>Utility Table</b>	24 x 48 Fix	<b>MKU 2448REH42 C</b>	183	2659
	24 x 54 Fix	<b>MKU 2454REH42 C</b>	193	2972
	24 x 60 Fix	<b>MKU 2460REH42 C</b>	203	2972
	24 x 66 Fix	<b>MKU 2466REH42 C</b>	213	3120
	24 x 72 Fix	<b>MKU 2472REH42 C</b>	223	3285
	24 x 78 Fix	<b>MKU 2478REH42 C</b>	232	3609
	24 x 84 Fix	<b>MKU 2484REH42 C</b>	242	3778
	24 x 90 Fix	<b>MKU 2490REH42 C</b>	252	4046
	24 x 96 Fix	<b>MKU 2496REH42 C</b>	262	4247
	30 x 48 Fix	<b>MKU 3048REH42 C</b>	210	2949
	30 x 54 Fix	<b>MKU 3054REH42 C</b>	221	3330
	30 x 60 Fix	<b>MKU 3060REH42 C</b>	232	3330
	30 x 66 Fix	<b>MKU 3066REH42 C</b>	237	3507
	30 x 72 Fix	<b>MKU 3072REH42 C</b>	248	3711
	30 x 78 Fix	<b>MKU 3078REH42 C</b>	255	4142
	30 x 84 Fix	<b>MKU 3084REH42 C</b>	260	4345
	30 x 90 Fix	<b>MKU 3090REH42 C</b>	269	4678
	30 x 96 Fix	<b>MKU 3096REH42 C</b>	277	4928
	36 x 48 Fix	<b>MKU 3648REH42 C</b>	219	3264
	36 x 54 Fix	<b>MKU 3654REH42 C</b>	231	3720
	36 x 60 Fix	<b>MKU 3660REH42 C</b>	243	3720
	36 x 66 Fix	<b>MKU 3666REH42 C</b>	250	3937
	36 x 72 Fix	<b>MKU 3672REH42 C</b>	262	4185
	36 x 78 Fix	<b>MKU 3678REH42 C</b>	269	4794
	36 x 84 Fix	<b>MKU 3684REH42 C</b>	276	5052
	36 x 90 Fix	<b>MKU 3690REH42 C</b>	286	5460
	36 x 96 Fix	<b>MKU 3696REH42 C</b>	296	5765



**The Maker Project**

**Sample Product Number Construction:**

- 1 Choose your model.
- 2 Specify the base finish and wood finish.
- 3 Indicate options.





Utility Table  
42" High (Casters)

**Questions?**

1.800.876.2120

**Base Options**

Base Wire Access (exits above cross rail) ..... **BWA** \$ 42

**Finish Options**

Powder Coat - Standard ..... n/c  
Powder Coat - Premium ..... \$ 120

**Top Options**


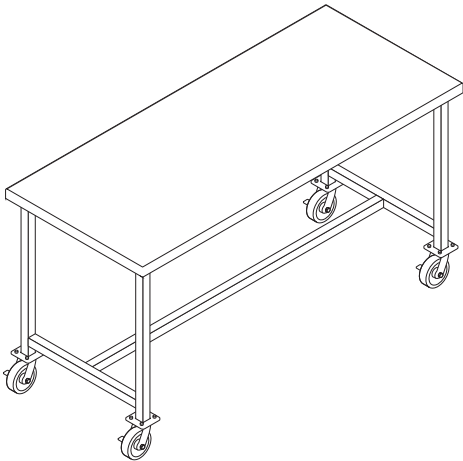
Custom Cutout (per cutout) ..... **TCC** \$ 87

**Power & Data Options**

Please reference The Maker Project Power & Data section or the Power & Data Price List

**Wire Management Options**

1 Oval Brush Grommet - Location F ..... **WOF** \$ 70  
1 Oval Brush Grommet - Location K ..... **WOK** \$ 70  
2 Oval Brush Grommets - Location H ..... **WOH** \$ 140  
1 Round Grommet - Location F ..... **WRF** \$ 55  
1 Round Grommet - Location K ..... **WRK** \$ 55  
2 Round Grommets - Location H ..... **WRH** \$ 110

42" Height	Description	Model #	Product Wt	Price	The Maker Project
	Utility Table				
	42 x 60 Fix	<b>MKU 4260REH42 C</b>	250	4331	
	42 x 66 Fix	<b>MKU 4266REH42 C</b>	263	4623	
	42 x 72 Fix	<b>MKU 4272REH42 C</b>	271	5045	
	42 x 78 Fix	<b>MKU 4278REH42 C</b>	282	5492	
	42 x 84 Fix	<b>MKU 4284REH42 C</b>	293	5966	
	42 x 90 Fix	<b>MKU 4290REH42 C</b>	301	6289	
	42 x 96 Fix	<b>MKU 4296REH42 C</b>	309	6839	
	42 x 120 Fix	<b>MKU 42120REH42 C</b>	342	9059	
	48 x 72 Fix	<b>MKU 4872REH42 C</b>	287	5714	
	48 x 78 Fix	<b>MKU 4878REH42 C</b>	336	6242	
	48 x 84 Fix	<b>MKU 4884REH42 C</b>	353	6786	
	48 x 90 Fix	<b>MKU 4890REH42 C</b>	369	7169	
	48 x 96 Fix	<b>MKU 4896REH42 C</b>	385	8022	
	48 x 120 Fix	<b>MKU 48120REH42 C</b>	479	10608	

Utility Table  
42" High (Glides)



**Questions?**  
1.800.876.2120

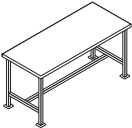
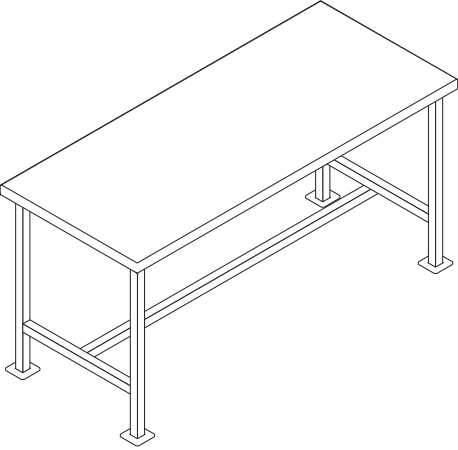
**Base Options** **Code Price**  
Base Wire Access (exits below cross rail) . . . . . **BWA** \$ 42

**Finish Options**  
Powder Coat - Standard . . . . . n/c  
Powder Coat - Premium . . . . . \$ 120

**Top Options**  
Custom Cutout (per cutout) . . . . . **TCC** \$ 87

**Power & Data Options**  
Please reference The Maker Project Power & Data section or the Power & Data Price List

**Wire Management Options** **Code Price**  
1 Oval Brush Grommet - Location F . . . . . **WOF** \$ 70  
1 Oval Brush Grommet - Location K . . . . . **WOK** \$ 70  
2 Oval Brush Grommets - Location H . . . . . **WOH** \$ 140  
1 Round Grommet - Location F . . . . . **WRF** \$ 55  
1 Round Grommet - Location K . . . . . **WRK** \$ 55  
2 Round Grommets - Location H . . . . . **WRH** \$ 110

42" Height	Description	Model #	Product Wt	Price	The Maker Project
	24 x 48 Fix	<b>MKU 2448REH42 G</b>	188	2359	
	24 x 54 Fix	<b>MKU 2454REH42 G</b>	198	2672	
	24 x 60 Fix	<b>MKU 2460REH42 G</b>	208	2672	
	24 x 66 Fix	<b>MKU 2466REH42 G</b>	218	2821	
	24 x 72 Fix	<b>MKU 2472REH42 G</b>	227	2985	
	24 x 78 Fix	<b>MKU 2478REH42 G</b>	237	3309	
	24 x 84 Fix	<b>MKU 2484REH42 G</b>	247	3478	
	24 x 90 Fix	<b>MKU 2490REH42 G</b>	257	3746	
	24 x 96 Fix	<b>MKU 2496REH42 G</b>	267	3946	
	30 x 48 Fix	<b>MKU 3048REH42 G</b>	206	2649	
	30 x 54 Fix	<b>MKU 3054REH42 G</b>	217	2649	
	30 x 60 Fix	<b>MKU 3060REH42 G</b>	229	3030	
	30 x 66 Fix	<b>MKU 3066REH42 G</b>	240	3208	
	30 x 72 Fix	<b>MKU 3072REH42 G</b>	251	3412	
	30 x 78 Fix	<b>MKU 3078REH42 G</b>	263	3842	
	30 x 84 Fix	<b>MKU 3084REH42 G</b>	274	4046	
	30 x 90 Fix	<b>MKU 3090REH42 G</b>	286	4378	
	30 x 96 Fix	<b>MKU 3096REH42 G</b>	297	4629	
	36 x 48 Fix	<b>MKU 3648REH42 G</b>	223	2965	
	36 x 54 Fix	<b>MKU 3654REH42 G</b>	236	3419	
	36 x 60 Fix	<b>MKU 3660REH42 G</b>	249	3419	
	36 x 66 Fix	<b>MKU 3666REH42 G</b>	262	3637	
	36 x 72 Fix	<b>MKU 3672REH42 G</b>	275	3884	
	36 x 78 Fix	<b>MKU 3678REH42 G</b>	289	4493	
	36 x 84 Fix	<b>MKU 3684REH42 G</b>	302	4753	
	36 x 90 Fix	<b>MKU 3690REH42 G</b>	315	5160	
	36 x 96 Fix	<b>MKU 3696REH42 G</b>	328	5466	

**Sample Product Number Construction:**

- 1 Choose your model.
- 2 Specify the base finish and wood finish.
- 3 Indicate options.



Utility Table  
42" High (Glides)

**Questions?**

1.800.876.2120

**Base Options**

Base Wire Access (exits below cross rail) . . . . . **BWA** \$ 42

**Finish Options**

Powder Coat - Standard . . . . . n/c  
Powder Coat - Premium . . . . . \$ 120

**Top Options**

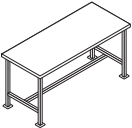
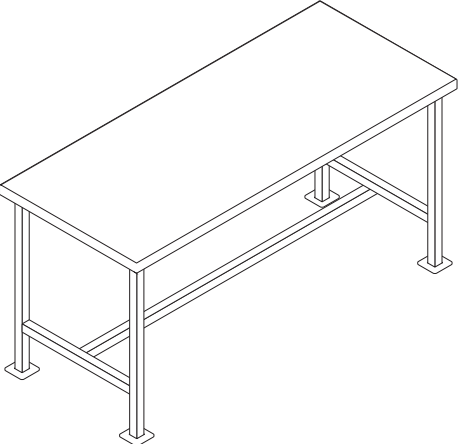
Custom Cutout (per cutout) . . . . . **TCC** \$ 87

**Power & Data Options**

Please reference The Maker Project Power & Data section or the Power & Data Price List

**Wire Management Options**

1 Oval Brush Grommet - Location F . . . . . **WOF** \$ 70  
1 Oval Brush Grommet - Location K . . . . . **WOK** \$ 70  
2 Oval Brush Grommets - Location H . . . . . **WOH** \$ 140  
1 Round Grommet - Location F . . . . . **WRF** \$ 55  
1 Round Grommet - Location K . . . . . **WRK** \$ 55  
2 Round Grommets - Location H . . . . . **WRH** \$ 110

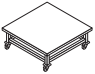
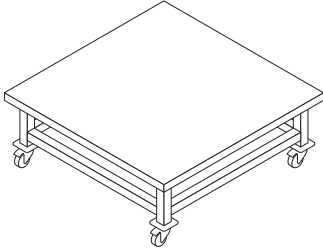
42" Height	Description	Model #	Product Wt	Price	The Maker Project
	Utility Table				
	42 x 60 Fix	<b>MKU 4260REH42 G</b>	270	4030	
	42 x 66 Fix	<b>MKU 4266REH42 G</b>	285	4323	
	42 x 72 Fix	<b>MKU 4272REH42 G</b>	299	4744	
	42 x 78 Fix	<b>MKU 4278REH42 G</b>	314	5192	
	42 x 84 Fix	<b>MKU 4284REH42 G</b>	329	5665	
	42 x 90 Fix	<b>MKU 4290REH42 G</b>	344	5989	
	42 x 96 Fix	<b>MKU 4296REH42 G</b>	358	6540	
	42 x 120 Fix	<b>MKU 42120REH42 G</b>	439	8682	
	48 x 72 Fix	<b>MKU 4872REH42 G</b>	323	5413	
	48 x 78 Fix	<b>MKU 4878REH42 G</b>	340	5941	
	48 x 84 Fix	<b>MKU 4884REH42 G</b>	356	6485	
	48 x 90 Fix	<b>MKU 4890REH42 G</b>	373	6869	
	48 x 96 Fix	<b>MKU 4896REH42 G</b>	389	7722	
	48 x 120 Fix	<b>MKU 48120REH42 G</b>	478	10232	



Occasional Table  
Casters

**Questions?**  
1.800.876.2120

<b>Finish Options</b>		<b>Code</b>	<b>Price</b>
Powder Coat - Standard	.....	n/c	
Powder Coat - Premium	.....	\$	120

					<b>The Maker Project</b>
	<b>Description</b>	<b>Model #</b>	<b>Product Wt</b>	<b>Price</b>	
	36 Fix	<b>MKO 36SQH16 C</b>	135	2529	
	42 Fix	<b>MKO 42SQH16 C</b>	164	3188	
	48 Fix	<b>MKO 48SQH16 C</b>	196	3841	
	18 x 48 Fix	<b>MKO 1848REH16 C</b>	109	2113	

**Sample Product**  
**Number Construction:**

- 1 Choose your model.
- 2 Specify the base finish and wood finish.
- 3 Indicate options.



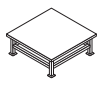
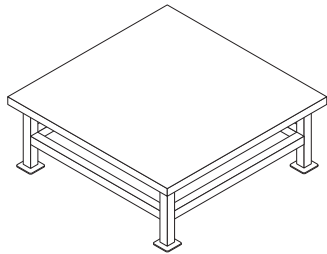
Questions?

1.800.876.2120

Finish Options

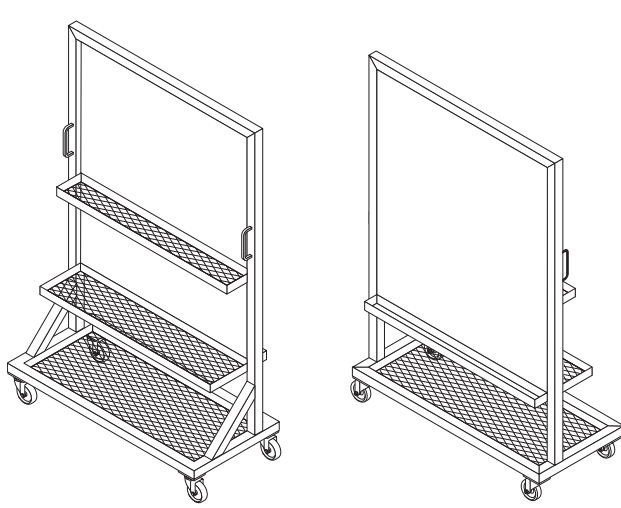
Powder Coat - Standard.....	n/c
Powder Coat - Premium .....	\$ 120

Code Price

					The Maker Project
	Description	Model #	Product Wt	Price	
	36 Fix	<b>MKO 36SQH16 G</b>	115	2399	
	42 Fix	<b>MKO 42SQH16 G</b>	143	3058	
	48 Fix	<b>MKO 48SQH16 G</b>	196	3711	
	18 x 48 Fix	<b>MKO 1848REH16 G</b>	109	1983	

**Questions?**  
1.800.876.2120

Finish Options		Code	Price
Powder Coat - Standard	.....		n/c
Powder Coat - Premium	.....		\$ 120

	Description	Model #	Product Wt	Price	The Maker Project
<b>Whiteboard</b>	21 x 46 Fix	<b>MKW 2146H72 C</b>	200	4107	

**Sample Product  
Number Construction:**

1 Choose your model.

2 Specify the base finish.

3 Indicate options.

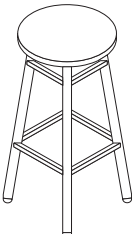






Questions?

1.800.876.2120

Finish Options

Powder Coat - Standard .....	n/c
Powder Coat - Premium .....	\$ 120

Code Price

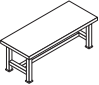
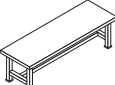
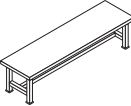
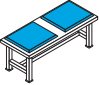
Style	Description	Model #	Product Wt	Price	The Maker Project
<b>Stool (Static Seat)</b>					
18" Seat Height					
	Seat - Wood	<b>MKL-67S18</b>	21	380	
24" Seat Height					
	Seat - Wood	<b>MKL-67S24</b>	25	392	
29" Seat Height					
	Seat - Wood	<b>MKL-67S29</b>	26	396	
<b>Stool (Adjustable/ Swivel Seat)</b>					
18" Seat Height					
	Seat - Wood	<b>MKL-67AS18</b>	25	517	
24" Seat Height					
	Seat - Wood	<b>MKL-67AS24</b>	29	530	
29" Seat Height					
	Seat - Wood	<b>MKL-67AS29</b>	30	534	



**Questions?**  
1.800.876.2120

**Finish Options**  
Powder Coat - Standard ..... n/c  
Powder Coat - Premium ..... \$ 120

**Code Price**

Style	Description	Model #	Wt	material > grade >						
				Wood	Fabric Grade 2 or COM	Fabric Grade 3	Fabric Grade 4	Fabric Grade 5	Fabric Grade 6	
<b>Maker Bench</b>										
20 x 48	 Seat - Wood	<b>MKL2048-67</b>	106	2090						
20 x 60	 Seat - Wood	<b>MKL2060-67</b>	113	2358						
20 x 72	 Seat - Wood	<b>MKL2072-67</b>	130	2625						
<b>Maker Bench Cushion (Only)</b>										
18 x 20	 Qty of 1	<b>AMKC1820</b>	5		121	161	201	241	282	

**Sample Product Number Construction:**

1 Choose your model.

2 Specify the base finish and wood finish.

3 Indicate options.





---

[Questions?](#)

1.800.876.2120



Maker A Round  
29" High

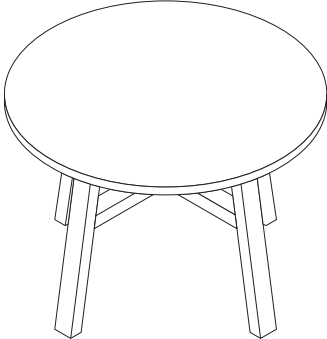

**Questions?**  
1.800.876.2120

**Base Options** **Code Price**  
Base Wire Access.....**BWA** \$ 42

**Finish Options** **Code Price**  
Powder Coat - Standard..... n/c  
Powder Coat - Premium..... \$ 120

**Power & Data Options**  
Please reference The Maker Project Power & Data section or the Power & Data Price List

**Wire Management Options** **Code Price**  
1 Oval Brush Grommet - Location K.....**WOK** \$ 70  
1 Round Grommet - Location K.....**WRK** \$ 55  
Wire Trough & Cutout.....**WTC** \$ 273

29" Height	Description	Model #	Product Wt	Price	The Maker Project
<b>Maker A Round</b>	42	<b>MKA 42RDH29</b>	196	3353	
	48	<b>MKA 48RDH29</b>	222	3947	
	54	<b>MKA 54RDH29</b>	251	4755	
	60	<b>MKA 60RDH29</b>	284	5909	

**Sample Product Number Construction:**

1 Choose your model.

2 Specify the base finish and wood finish.

3 Indicate options.



**Questions?**

1.800.876.2120

**Base Options**

Base Wire Access.....**BWA** \$ 42

**Finish Options**

Powder Coat - Standard..... n/c  
Powder Coat - Premium..... \$ 120

**Power & Data Options**

Please reference The Maker Project Power & Data section or the Power & Data Price List

**Wire Management Options**

1 Oval Brush Grommet - Location K.....**WOK** \$ 70  
1 Round Grommet - Location K.....**WRK** \$ 55  
Wire Trough & Cutout.....**WTC** \$ 273

36" Height	Description	Model #	Product Wt	Price	The Maker Project
<b>Maker A Round</b>	42	<b>MKA 42RDH36</b>	206	3414	
	48	<b>MKA 48RDH36</b>	232	4008	
	54	<b>MKA 54RDH36</b>	261	4816	
	60	<b>MKA 60RDH36</b>	294	5971	





Maker A Round  
42" High

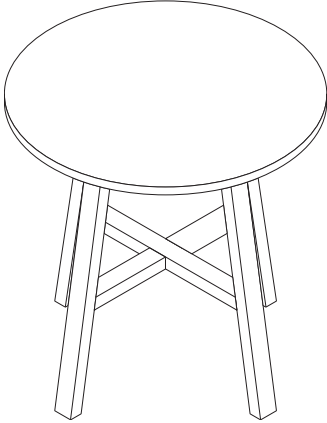
**Questions?**  
1.800.876.2120

**Base Options** **Code Price**  
Base Wire Access.....**BWA** \$ 42

**Finish Options** **Code Price**  
Powder Coat - Standard..... n/c  
Powder Coat - Premium..... \$ 120

**Power & Data Options**  
Please reference The Maker Project Power & Data section or the Power & Data Price List

**Wire Management Options** **Code Price**  
1 Oval Brush Grommet - Location K.....**WOK** \$ 70  
1 Round Grommet - Location K.....**WRK** \$ 55  
Wire Trough & Cutout.....**WTC** \$ 273

42" Height	Description	Model #	Product Wt	Price	The Maker Project
<b>Maker A Round</b>	42	<b>MKA 42RDH42</b>	216	3468	
	48	<b>MKA 48RDH42</b>	242	4062	
	54	<b>MKA 54RDH42</b>	271	4869	
	60	<b>MKA 60RDH42</b>	304	6023	



**Sample Product Number Construction:**

- 1 Choose your model.
- 2 Specify the base finish and wood finish.
- 3 Indicate options.



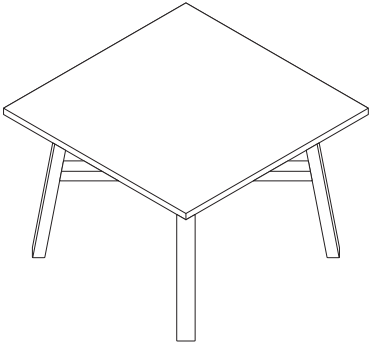

**Questions?**  
1.800.876.2120

**Base Options** **Code Price**  
Base Wire Access.....BWA \$ 42

**Finish Options** **Code Price**  
Powder Coat - Standard..... n/c  
Powder Coat - Premium..... \$ 120

**Power & Data Options**  
Please reference The Maker Project Power & Data section or the Power & Data Price List

**Wire Management Options** **Code Price**  
1 Oval Brush Grommet - Location K.....WOK \$ 70  
1 Round Grommet - Location K.....WRK \$ 55  
Wire Trough & Cutout.....WTC \$ 273

29" Height	Description	Model #	Product Wt	Price	The Maker Project
<b>Maker A Square</b>	42	<b>MKA 42SQH29</b>	196	3353	
	48	<b>MKA 48SQH29</b>	222	3947	
	54	<b>MKA 54SQH29</b>	251	4755	
	60	<b>MKA 60SQH29</b>	284	5909	



Maker A Square  
36" High

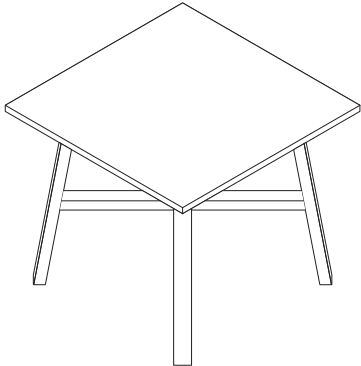

**Questions?**  
1.800.876.2120

**Base Options** **Code Price**  
Base Wire Access.....**BWA** \$ 42

**Finish Options** **Code Price**  
Powder Coat - Standard..... n/c  
Powder Coat - Premium..... \$ 120

**Power & Data Options**  
Please reference The Maker Project Power & Data section or the Power & Data Price List

**Wire Management Options** **Code Price**  
1 Oval Brush Grommet - Location K.....**WOK** \$ 70  
1 Round Grommet - Location K.....**WRK** \$ 55  
Wire Trough & Cutout.....**WTC** \$ 273

36" Height	Description	Model #	Product Wt	Price	The Maker Project
<b>Maker A Square</b>	42	<b>MKA 42SQH36</b>	206	3414	
	48	<b>MKA 48SQH36</b>	232	4008	
	54	<b>MKA 54SQH36</b>	261	4816	
	60	<b>MKA 60SQH36</b>	294	5971	

**Sample Product Number Construction:**

- 1 Choose your model.
- 2 Specify the base finish and wood finish.
- 3 Indicate options.



**Questions?**

1.800.876.2120

**Base Options**

Base Wire Access.....**BWA** \$ 42

**Finish Options**

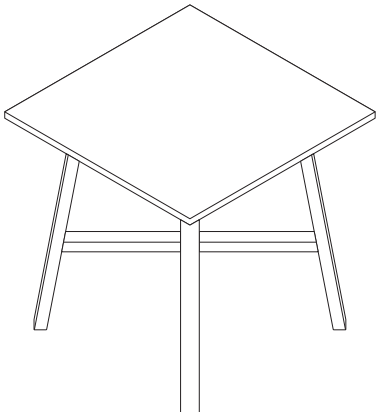
Powder Coat - Standard..... n/c  
Powder Coat - Premium..... \$ 120

**Power & Data Options**

Please reference The Maker Project Power & Data section or the Power & Data Price List

**Wire Management Options**

1 Oval Brush Grommet - Location K.....**WOK** \$ 70  
1 Round Grommet - Location K.....**WRK** \$ 55  
Wire Trough & Cutout.....**WTC** \$ 273

42" Height	Description	Model #	Product Wt	Price	The Maker Project
<b>Maker A Square</b>	42	<b>MKA 42SQH42</b>	216	3468	
	48	<b>MKA 48SQH42</b>	242	4062	
	54	<b>MKA 54SQH42</b>	271	4869	
	60	<b>MKA 60SQH42</b>	304	6023	



Maker A Rectangle  
29" High



**Questions?**

1.800.876.2120

**Base Options**

Base Wire Access..... **BWA** \$ 42

**Finish Options**


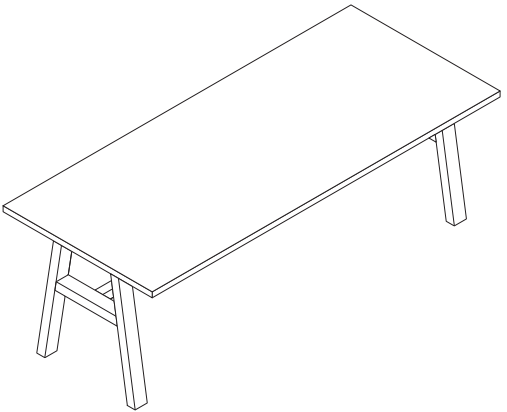
Powder Coat - Standard..... n/c  
Powder Coat - Premium..... \$ 120

**Power & Data Options**

Please reference The Maker Project Power & Data section or the Power & Data Price List

**Wire Management Options**

1 Oval Brush Grommet - Location F..... **WOF** \$ 70  
1 Oval Brush Grommet - Location K..... **WOK** \$ 70  
2 Oval Brush Grommets - Location H..... **WOH** \$ 140  
1 Round Grommet - Location F..... **WRF** \$ 55  
1 Round Grommet - Location K..... **WRK** \$ 55  
2 Round Grommets - Location H..... **WRH** \$ 110  
Wire Trough & Cutout (up to 96")..... **WTC** \$ 389

29" Height	Description	Model #	Product Wt	Price	The Maker Project
	Maker A Rectangle				
	30 x 48	<b>MKA 3048REH29</b>	182	2859	
	30 x 54	<b>MKA 3054REH29</b>	192	3044	
	30 x 60	<b>MKA 3060REH29</b>	202	3225	
	30 x 66	<b>MKA 3066REH29</b>	211	3395	
	30 x 72	<b>MKA 3072REH29</b>	221	3590	
	30 x 84	<b>MKA 3084REH29</b>	240	4209	
	30 x 96	<b>MKA 3096REH29</b>	260	4777	
	30 x 108	<b>MKA 30108REH29</b>	301	5446	
	30 x 120	<b>MKA 30120REH29</b>	320	6085	
	30 x 144	<b>MKA 30144REH29</b>	359	7344	
	36 x 48	<b>MKA 3648REH29</b>	195	3158	
	36 x 54	<b>MKA 3654REH29</b>	207	3383	
	36 x 60	<b>MKA 3660REH29</b>	218	3598	
	36 x 66	<b>MKA 3666REH29</b>	229	3807	
	36 x 72	<b>MKA 3672REH29</b>	241	4047	
	36 x 84	<b>MKA 3684REH29</b>	263	4900	
	36 x 96	<b>MKA 3696REH29</b>	286	5597	
	36 x 108	<b>MKA 36108REH29</b>	330	6392	
	36 x 120	<b>MKA 36120REH29</b>	353	7181	
	36 x 144	<b>MKA 36144REH29</b>	398	8957	
	42 x 48	<b>MKA 4248REH29</b>	208	3632	
	42 x 54	<b>MKA 4254REH29</b>	221	3916	
	42 x 60	<b>MKA 4260REH29</b>	234	4192	
	42 x 66	<b>MKA 4266REH29</b>	247	4477	
	42 x 72	<b>MKA 4272REH29</b>	260	4890	
	42 x 84	<b>MKA 4284REH29</b>	286	5796	
	42 x 96	<b>MKA 4296REH29</b>	312	6654	
42 x 108	<b>MKA 42108REH29</b>	360	7606		
42 x 120	<b>MKA 42120REH29</b>	386	8567		
42 x 144	<b>MKA 42144REH29</b>	437	10461		

Sample Product  
Number Construction:

- 1 Choose your model.
- 2 Specify the base finish and wood finish.
- 3 Indicate options.





Maker A Rectangle  
29" High

**Questions?**  
1.800.876.2120

**Base Options** **Code Price**  
Base Wire Access.....BWA \$ 42

**Finish Options** **Code Price**  
Powder Coat - Standard..... n/c  
Powder Coat - Premium..... \$ 120

**Power & Data Options**  
Please reference The Maker Project Power & Data section or the Power & Data Price List

**Wire Management Options** **Code Price**  
1 Oval Brush Grommet - Location F.....WOF \$ 70  
1 Oval Brush Grommet - Location K.....WOK \$ 70  
2 Oval Brush Grommets - Location H.....WOH \$ 140  
1 Round Grommet - Location F.....WRF \$ 55  
1 Round Grommet - Location K.....WRK \$ 55  
2 Round Grommets - Location H.....WRH \$ 110  
Wire Trough & Cutout (up to 96").....WTC \$ 389

29" Height	Description	Model #	Product Wt	Price	The Maker Project
<b>Maker A Rectangle</b>	48 x 54	<b>MKA 4854REH29</b>	221	4237	
	48 x 60	<b>MKA 4860REH29</b>	251	4719	
	48 x 66	<b>MKA 4866REH29</b>	265	5199	
	48 x 72	<b>MKA 4872REH29</b>	280	5543	
	48 x 84	<b>MKA 4884REH29</b>	309	6600	
	48 x 96	<b>MKA 4896REH29</b>	338	7821	
	48 x 108	<b>MKA 48108REH29</b>	389	8696	
	48 x 120	<b>MKA 48120REH29</b>	418	10092	
	48 x 144	<b>MKA 48144REH29</b>	477	12348	
	54 x 60	<b>MKA 5460REH29</b>	267	5278	
	54 x 66	<b>MKA 5466REH29</b>	283	5869	
	54 x 72	<b>MKA 5472REH29</b>	300	6232	
	54 x 84	<b>MKA 5484REH29</b>	332	7454	
	54 x 96	<b>MKA 5496REH29</b>	365	8554	
	54 x 108	<b>MKA 54108REH29</b>	419	10115	
	54 x 120	<b>MKA 54120REH29</b>	451	11070	
	54 x 144	<b>MKA 54144REH29</b>	516	12977	
	60 x 66	<b>MKA 6066REH29</b>	302	6544	
	60 x 72	<b>MKA 6072REH29</b>	319	7014	
	60 x 84	<b>MKA 6084REH29</b>	355	8408	
	60 x 96	<b>MKA 6096REH29</b>	391	9942	
	60 x 108	<b>MKA 60108REH29</b>	448	11360	
	60 x 120	<b>MKA 60120REH29</b>	484	12883	
	60 x 144	<b>MKA 60144REH29</b>	556	16063	



Maker A Rectangle  
36" High




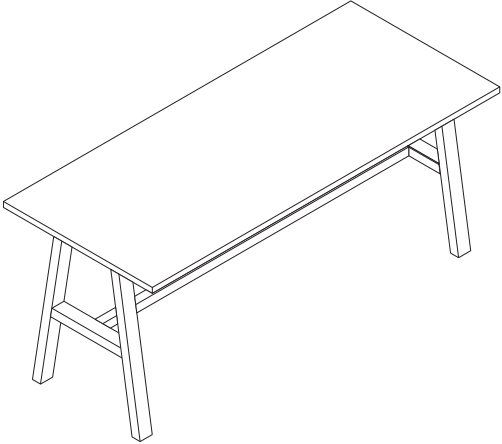
**Questions?**  
1.800.876.2120

**Base Options** **Code Price**  
Base Wire Access..... **BWA** \$ 42

**Finish Options** **Code Price**  
Powder Coat - Standard..... n/c  
Powder Coat - Premium..... \$ 120

**Power & Data Options**  
Please reference The Maker Project Power & Data section or the Power & Data Price List

**Wire Management Options** **Code Price**  
1 Oval Brush Grommet - Location F..... **WOF** \$ 70  
1 Oval Brush Grommet - Location K..... **WOK** \$ 70  
2 Oval Brush Grommets - Location H..... **WOH** \$ 140  
1 Round Grommet - Location F..... **WRF** \$ 55  
1 Round Grommet - Location K..... **WRK** \$ 55  
2 Round Grommets - Location H..... **WRH** \$ 110  
Wire Trough & Cutout (up to 96")..... **WTC** \$ 389

36" Height	Description	Model #	Product Wt	Price	The Maker Project
	30 x 48	<b>MKA 3048REH36</b>	193	2921	
	30 x 54	<b>MKA 3054REH36</b>	203	3105	
	30 x 60	<b>MKA 3060REH36</b>	213	3286	
	30 x 66	<b>MKA 3066REH36</b>	222	3456	
	30 x 72	<b>MKA 3072REH36</b>	232	3652	
	30 x 84	<b>MKA 3084REH36</b>	251	4271	
	30 x 96	<b>MKA 3096REH36</b>	271	4838	
	30 x 108	<b>MKA 30108REH36</b>	317	5538	
	30 x 120	<b>MKA 30120REH36</b>	337	6178	
	30 x 144	<b>MKA 30144REH36</b>	375	7437	
	36 x 48	<b>MKA 3648REH36</b>	206	3220	
	36 x 54	<b>MKA 3654REH36</b>	218	3439	
	36 x 60	<b>MKA 3660REH36</b>	229	3659	
	36 x 66	<b>MKA 3666REH36</b>	240	3869	
	36 x 72	<b>MKA 3672REH36</b>	252	4109	
	36 x 84	<b>MKA 3684REH36</b>	274	4961	
	36 x 96	<b>MKA 3696REH36</b>	297	5659	
	36 x 108	<b>MKA 36108REH36</b>	347	6505	
	36 x 120	<b>MKA 36120REH36</b>	369	7274	
	36 x 144	<b>MKA 36144REH36</b>	415	9051	
	42 x 48	<b>MKA 4248REH36</b>	220	3694	
	42 x 54	<b>MKA 4254REH36</b>	233	3974	
	42 x 60	<b>MKA 4260REH36</b>	245	4254	
	42 x 66	<b>MKA 4266REH36</b>	258	4539	
	42 x 72	<b>MKA 4272REH36</b>	271	4952	
	42 x 84	<b>MKA 4284REH36</b>	297	5857	
	42 x 96	<b>MKA 4296REH36</b>	323	6716	
	42 x 108	<b>MKA 42108REH36</b>	376	7698	
42 x 120	<b>MKA 42120REH36</b>	402	8660		
42 x 144	<b>MKA 42144REH36</b>	454	10553		

**Sample Product**  
**Number Construction:**

- ① Choose your model.
- ② Specify the base finish and wood finish.
- ③ Indicate options.



Maker A Rectangle  
36" High


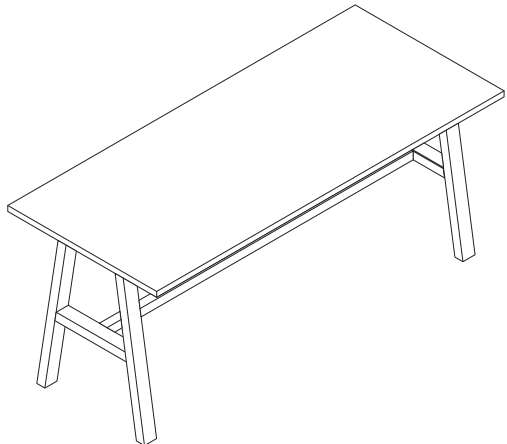
**Questions?**  
1.800.876.2120

**Base Options** **Code Price**  
Base Wire Access.....BWA \$ 42

**Finish Options** **Code Price**  
Powder Coat - Standard..... n/c  
Powder Coat - Premium ..... \$ 120

**Power & Data Options**  
Please reference The Maker Project Power & Data section or the Power & Data Price List

**Wire Management Options** **Code Price**  
1 Oval Brush Grommet - Location F.....WOF \$ 70  
1 Oval Brush Grommet - Location K.....WOK \$ 70  
2 Oval Brush Grommets - Location H.....WOH \$ 140  
1 Round Grommet - Location F.....WRF \$ 55  
1 Round Grommet - Location K.....WRK \$ 55  
2 Round Grommets - Location H.....WRH \$ 110  
Wire Trough & Cutout (up to 96").....WTC \$ 389

36" Height	Description	Model #	Product Wt	Price	The Maker Project
	<b>Maker A Rectangle</b>				
	48 x 54	<b>MKA 4854REH36</b>	247	4328	
	48 x 60	<b>MKA 4860REH36</b>	262	4781	
	48 x 66	<b>MKA 4866REH36</b>	276	5260	
	48 x 72	<b>MKA 4872REH36</b>	291	5605	
	48 x 84	<b>MKA 4884REH36</b>	320	6662	
	48 x 96	<b>MKA 4896REH36</b>	349	7883	
	48 x 108	<b>MKA 48108REH36</b>	406	8788	
	48 x 120	<b>MKA 48120REH36</b>	435	10184	
	48 x 144	<b>MKA 48144REH36</b>	493	12441	
	54 x 60	<b>MKA 5460REH36</b>	278	5340	
	54 x 66	<b>MKA 5466REH36</b>	295	5889	
	54 x 72	<b>MKA 5472REH36</b>	311	6294	
	54 x 84	<b>MKA 5484REH36</b>	343	7516	
	54 x 96	<b>MKA 5496REH36</b>	376	8615	
	54 x 108	<b>MKA 54108REH36</b>	435	10213	
	54 x 120	<b>MKA 54120REH36</b>	468	11162	
	54 x 144	<b>MKA 54144REH36</b>	533	13071	
	60 x 66	<b>MKA 6066REH36</b>	313	6606	
	60 x 72	<b>MKA 6072REH36</b>	330	7075	
	60 x 84	<b>MKA 6084REH36</b>	366	8470	
	60 x 96	<b>MKA 6096REH36</b>	402	10003	
	60 x 108	<b>MKA 60108REH36</b>	465	11453	
	60 x 120	<b>MKA 60120REH36</b>	501	12975	
	60 x 144	<b>MKA 60144REH36</b>	572	15125	

Maker A Rectangle  
42" High




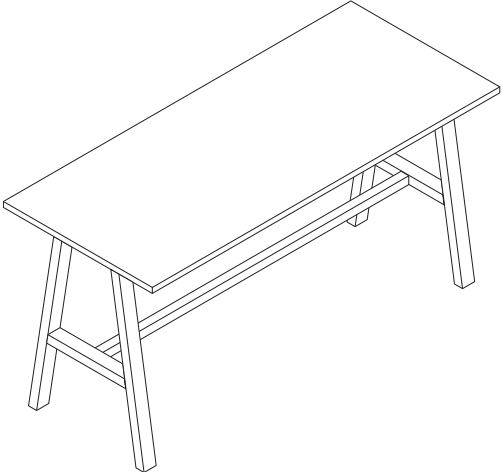
**Questions?**  
1.800.876.2120

**Base Options** **Code Price**  
Base Wire Access..... **BWA** \$ 42

**Finish Options** **Code Price**  
Powder Coat - Standard..... n/c  
Powder Coat - Premium..... \$ 120

**Power & Data Options**  
Please reference The Maker Project Power & Data section or the Power & Data Price List

**Wire Management Options** **Code Price**  
1 Oval Brush Grommet - Location F..... **WOF** \$ 70  
1 Oval Brush Grommet - Location K..... **WOK** \$ 70  
2 Oval Brush Grommets - Location H..... **WOH** \$ 140  
1 Round Grommet - Location F..... **WRF** \$ 55  
1 Round Grommet - Location K..... **WRK** \$ 55  
2 Round Grommets - Location H..... **WRH** \$ 110  
Wire Trough & Cutout (up to 96")..... **WTC** \$ 389

42" Height	Description	Model #	Product Wt	Price	The Maker Project
	30 x 48	<b>MKA 3048REH42</b>	203	2973	
	30 x 54	<b>MKA 3054REH42</b>	212	3159	
	30 x 60	<b>MKA 3060REH42</b>	222	3338	
	30 x 66	<b>MKA 3066REH42</b>	232	3509	
	30 x 72	<b>MKA 3072REH42</b>	241	3705	
	30 x 84	<b>MKA 3084REH42</b>	261	4323	
	30 x 96	<b>MKA 3096REH42</b>	280	4891	
	30 x 108	<b>MKA 30108REH42</b>	331	5618	
	30 x 120	<b>MKA 30120REH42</b>	351	6257	
	30 x 144	<b>MKA 30144REH42</b>	390	7515	
	36 x 48	<b>MKA 3648REH42</b>	216	3272	
	36 x 54	<b>MKA 3654REH42</b>	227	3492	
	36 x 60	<b>MKA 3660REH42</b>	239	3711	
	36 x 66	<b>MKA 3666REH42</b>	250	3921	
	36 x 72	<b>MKA 3672REH42</b>	261	4162	
	36 x 84	<b>MKA 3684REH42</b>	284	5014	
	36 x 96	<b>MKA 3696REH42</b>	306	5711	
	36 x 108	<b>MKA 36108REH42</b>	361	6563	
	36 x 120	<b>MKA 36120REH42</b>	384	7354	
	36 x 144	<b>MKA 36144REH42</b>	429	9130	
	42 x 48	<b>MKA 4248REH42</b>	229	3747	
	42 x 54	<b>MKA 4254REH42</b>	242	4079	
	42 x 60	<b>MKA 4260REH42</b>	255	4307	
	42 x 66	<b>MKA 4266REH42</b>	268	4591	
	42 x 72	<b>MKA 4272REH42</b>	281	5005	
	42 x 84	<b>MKA 4284REH42</b>	307	5910	
	42 x 96	<b>MKA 4296REH42</b>	333	6769	
	42 x 108	<b>MKA 42108REH42</b>	391	7777	
42 x 120	<b>MKA 42120REH42</b>	416	8739		
42 x 144	<b>MKA 42144REH42</b>	468	10632		

**Sample Product**  
**Number Construction:**

- 1 Choose your model.
- 2 Specify the base finish and wood finish.
- 3 Indicate options.



Maker A Rectangle  
42" High

**Questions?**  
1.800.876.2120

**Base Options** **Code Price**  
Base Wire Access.....BWA \$ 42

**Finish Options** **Code Price**  
Powder Coat - Standard..... n/c  
Powder Coat - Premium..... \$ 120

**Power & Data Options**  
Please reference The Maker Project Power & Data section or the Power & Data Price List

**Wire Management Options** **Code Price**  
1 Oval Brush Grommet - Location F.....WOF \$ 70  
1 Oval Brush Grommet - Location K.....WOK \$ 70  
2 Oval Brush Grommets - Location H.....WOH \$ 140  
1 Round Grommet - Location F.....WRF \$ 55  
1 Round Grommet - Location K.....WRK \$ 55  
2 Round Grommets - Location H.....WRH \$ 110  
Wire Trough & Cutout (up to 96").....WTC \$ 389

42" Height	Description	Model #	Product Wt	Price	The Maker Project
<b>Maker A Rectangle</b>	48 x 54	<b>MKA 4854REH42</b>	257	4381	
	48 x 60	<b>MKA 4860REH42</b>	271	4834	
	48 x 66	<b>MKA 4866REH42</b>	286	5313	
	48 x 72	<b>MKA 4872REH42</b>	301	5658	
	48 x 84	<b>MKA 4884REH42</b>	330	6714	
	48 x 96	<b>MKA 4896REH42</b>	359	7935	
	48 x 108	<b>MKA 48108REH42</b>	410	8867	
	48 x 120	<b>MKA 48120REH42</b>	449	10232	
	48 x 144	<b>MKA 48144REH42</b>	500	12521	
	54 x 60	<b>MKA 5460REH42</b>	288	5392	
	54 x 66	<b>MKA 5466REH42</b>	304	5941	
	54 x 72	<b>MKA 5472REH42</b>	320	6347	
	54 x 84	<b>MKA 5484REH42</b>	353	7569	
	54 x 96	<b>MKA 5496REH42</b>	385	8668	
	54 x 108	<b>MKA 54108REH42</b>	425	10318	
	54 x 120	<b>MKA 54120REH42</b>	482	11242	
	54 x 144	<b>MKA 54144REH42</b>	547	13150	
	60 x 66	<b>MKA 6066REH42</b>	322	6659	
	60 x 72	<b>MKA 6072REH42</b>	340	7128	
	60 x 84	<b>MKA 6084REH42</b>	376	8522	
	60 x 96	<b>MKA 6096REH42</b>	411	10056	
	60 x 108	<b>MKA 60108REH42</b>	479	11532	
	60 x 120	<b>MKA 60120REH42</b>	515	13055	
	60 x 144	<b>MKA 60144REH42</b>	586	15203	







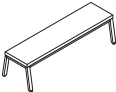
**Questions?**

1.800.876.2120

**Finish Options**

Powder Coat - Standard ..... n/c  
 Powder Coat - Premium ..... \$ 120

**Code Price**

Style	Description	Model #	Wt	material > grade >					
				Butcher Block	Fabric Grade 2 or COM	Fabric Grade 3	Fabric Grade 4	Fabric Grade 5	Fabric Grade 6
<b>Maker A Bench</b>									
<b>1 Seat</b>									
	Seat - Wood	<b>MKA1618-67</b>	52	1649					
	Seat - Upholstered	<b>MKA1618-61</b>	44		1668	1737	1806	1876	1946
<b>2 Seats</b>									
	Seat - Wood	<b>MKA1640-67</b>	81	2068					
	Seat - Upholstered	<b>MKA1640-61</b>	64		1888	2027	2166	2304	2444
<b>3 Seats</b>									
	Seat - Wood	<b>MKA1663-67</b>	112	2469					
	Seat - Upholstered	<b>MKA1663-61</b>	85		2120	2328	2537	2745	2954

**Sample Product Number Construction:**

1 Choose your model.

2 Specify the base finish and wood finish.

3 Indicate options.



---

[Questions?](#)

1.800.876.2120



All prices are delivered list price effective with date printed on cover and supersedes all other published price lists. VERSTEEL reserves the right to change prices or specifications without prior notice. Orders are accepted subject to price prevailing at time of shipment.

[VERSTEEL.COM](http://VERSTEEL.COM)

800.876.2120  
2332 Cathy Lane Jasper, Indiana 47546

© 2019 Versteel